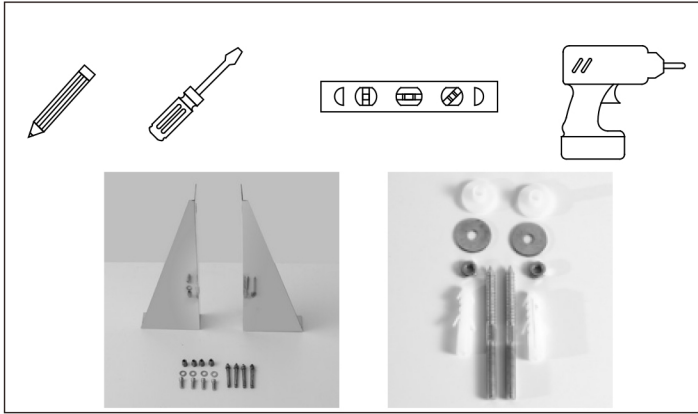


01. Prepare the tools and accessories

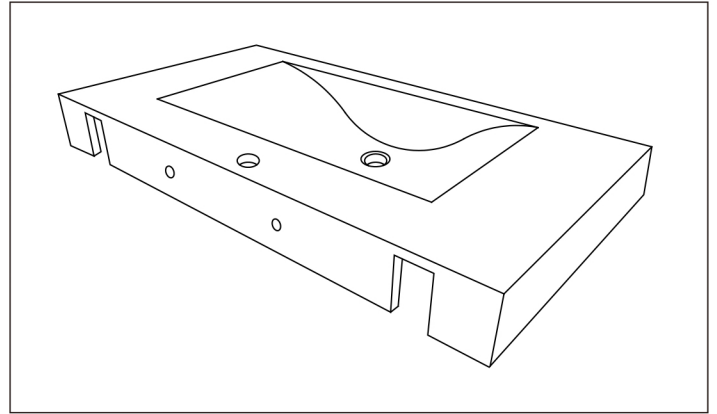
Tools: drill, level, pencil, screwdriver etc.

Accessories: mounting brackets and wall hung screws



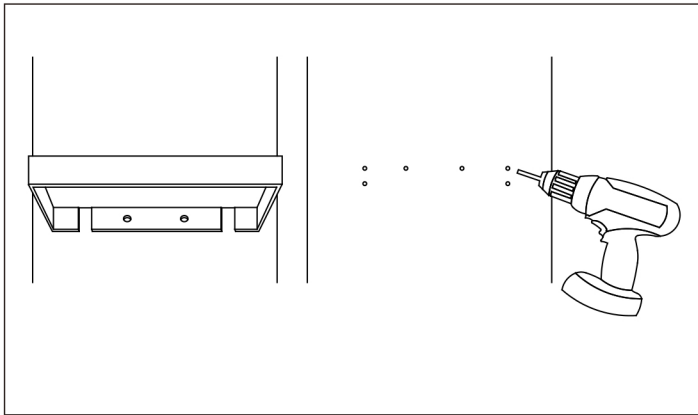
02. Prepare KKR Basin

KKR can help clients predrill the bracket and screw holes in advance.



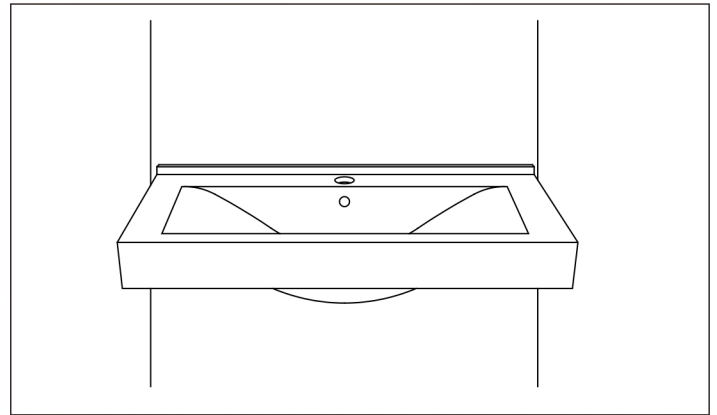
03. Mark and drill pilot holes on the wall

Determine the height you want. Place basin against the wall. Use a level to make sure both sides are level. Mark location and drill on wall for mounting holes.



04. Secure the sink to the wall

Secure the sink to the wall with the mounting brackets and screws. After inserting the first fastener, verify that the sink is level. When the sink is properly aligned insert the remaining fasteners.



05. Connect and Finishing

Connect all supply tubes to the faucet. Turn on the water supply to check for any leaking from the water supply lines or sink.

