

ST08 Lizette Freestanding Bath

Notes:

- Freestanding bath
- Polymerable or solid surface composition
- No overflow
- Matte white
- Chrome w/aste
- Optional matching stone waste available
- 10 years manufacturers warranty

Finishes:

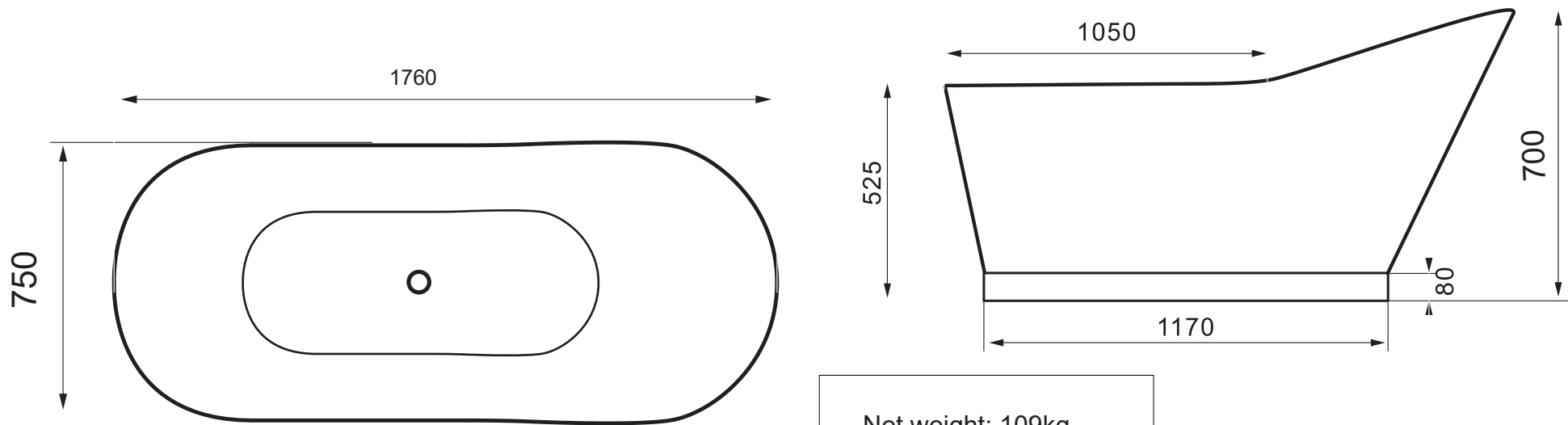
- Matte white
- Gloss white

Options:

- Overflow
- Stone waste



Size: 1760L x 750W x 700H (mm)



Net weight: 109kg
 Gross weight: 156kg
 Water capacity: 260lt
 Unit: mm