

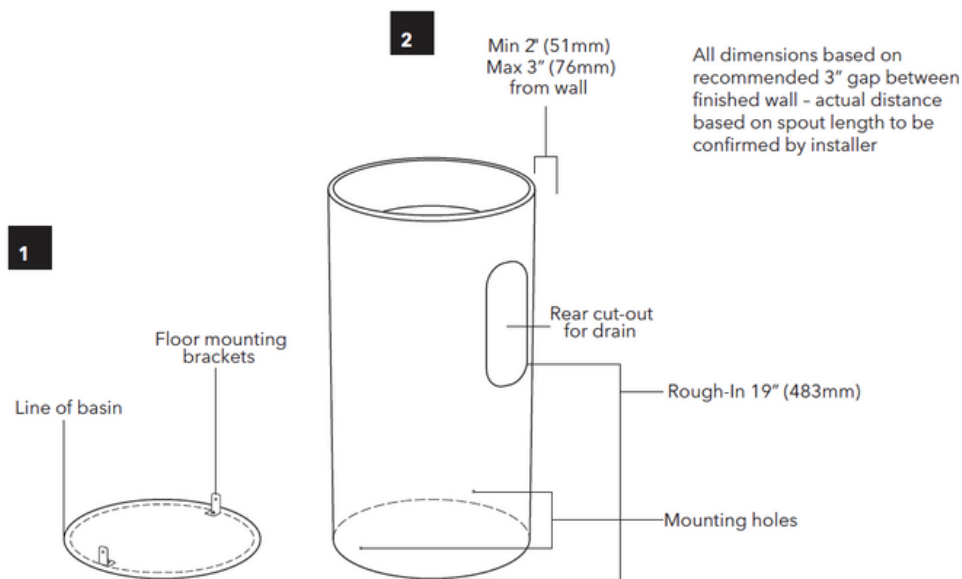
## PREPARATION

1. Place pedestal into installed position. Ensure product is level when placed and mounting holes are located at the sides.
2. Carefully mark the mounting hole locations for the pedestal onto the floor with a non-permanent marker.
3. To help recall the pedestal position, trace a line along the base of the pedestal.
4. Carefully remove the pedestal.

## PEDESTAL INSTALLATION

5. Drill pilot holes for the floor mounting brackets 1/2" (12mm) inside the line.
6. Install the pedestal mounting hardware(not provided). Place a metal washer onto the bolts and insert the bolts through the mounting brackets into the floor securely. Fig 1.
7. Return the pedestal into position with the mark on the floor.
8. Install the pedestal bracket to floor using the two screws(not supplied). Fig 2.

**WARNING: DO NOT OVERTIGHTEN.** Overtightening may damage the products and cause personal injury and/or property damage.

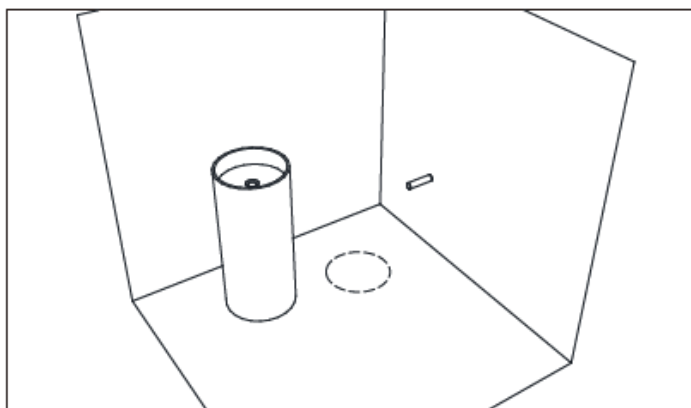


Note: Please see template for rough-in dimensions

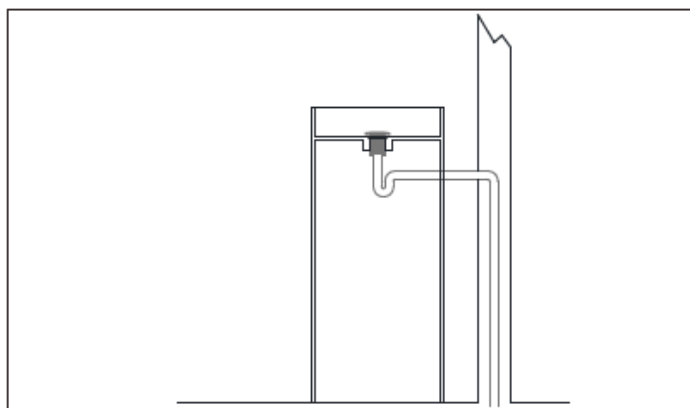
## FAUCET AND DRAIN CONNECTIONS (NOT SUPPLIED)

1. Connect the water supply to the faucet according to faucet instructions.
2. Connect and tighten the trap to the drain.
3. Turn ON the water supplies to the faucet.
4. Purge air from the HOT & COLD water by running the water for a few seconds.
5. Fill the lavatory with water.
6. Check for leaks at the water supply and drain connections.

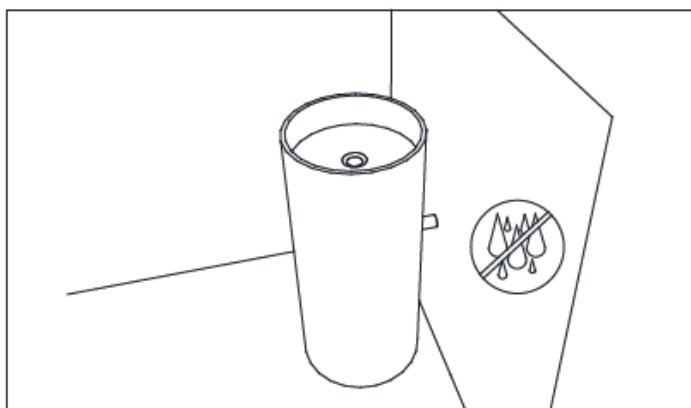
01. Designation of drain location , place pedestal into installed position and ensure product is level.



02. Install the pedestal mounting hardware and drain fittings provided.



03. Turn on the water supply to check for any leaking from the water supply lines or sink.



04. Do a silicone joint pressure seal between the base of the basin and the floor.

