

# KELE

AUSTRALIA  
Phone: 1800 462 946  
Email: info@stonebaths.com.au  
Web www.stonebaths.com.au

NEW ZEALAND  
Phone: 0800 001 872  
Email: info@stonebaths.co.nz  
Web www.stonebaths.com.au

 **stonebaths**  
Industry leaders since 2004

## Panama 1500mm Round Bath Krpana 1500

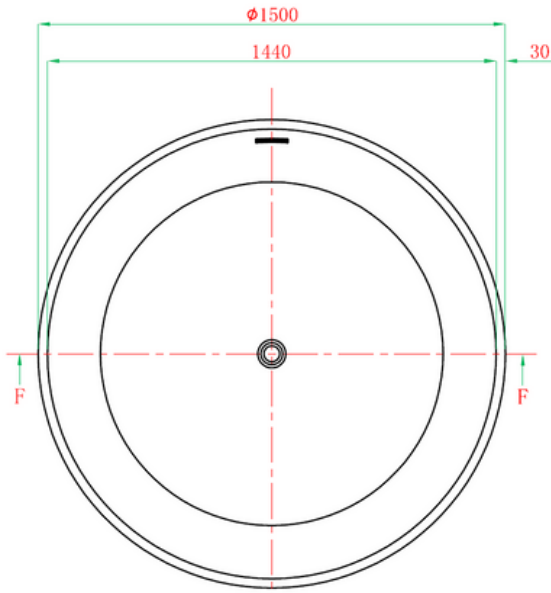
### Notes:

- Gloss white
- Sanitary grade acrylic
- With feet
- 10 year manufacturers warranty

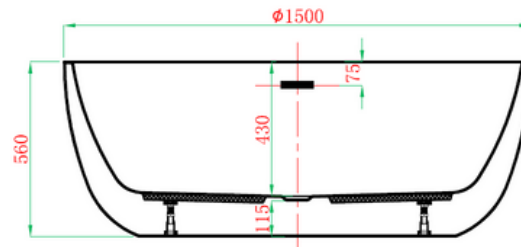
**Size:** 1500 x 1500 x 430/560

### Finishes:

- Gloss white
- Colour
- Matt white outer



Front View



Cross Section F-F

Net Weight: <70kg  
Gross Weight: <100kg  
Water capacity: