

KELE

AUSTRALIA
Phone: 1800 462 946
Email: info@stonebaths.com.au
Web www.stonebaths.com.au

NEW ZEALAND
Phone: 0800 001 872
Email: info@stonebaths.co.nz
Web www.stonebaths.com.au



Miami 1700mm Freestanding Bath Kbwmia 1700

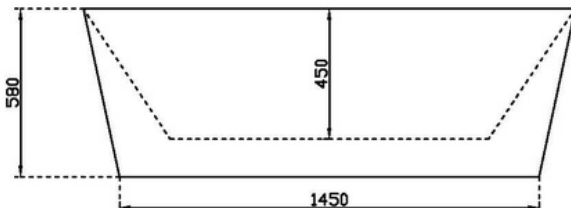
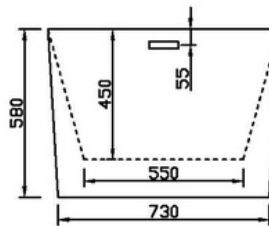
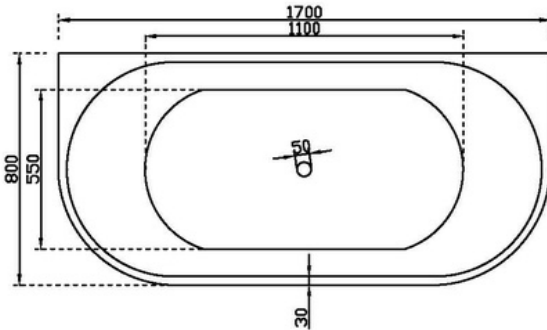
Notes:

- Gloss white
- Sanitary grade acrylic
- With feet
- 10 year manufacturers warranty

Size: 1700 x 800 x 450/580

Finishes:

- Gloss white
- Colour
- Matt white outer



Net Weight: <70kg
Gross Weight: <100kg
Water capacity: