

TOKA concrete.

Maxim 580mm rectangle concrete basin

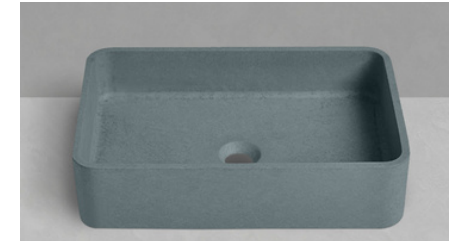
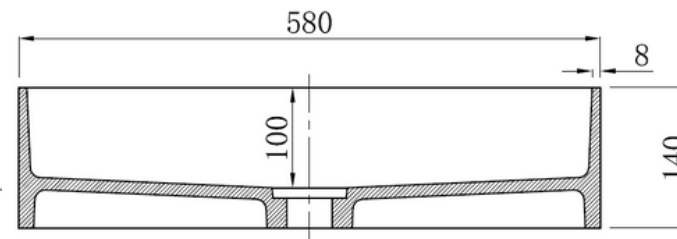
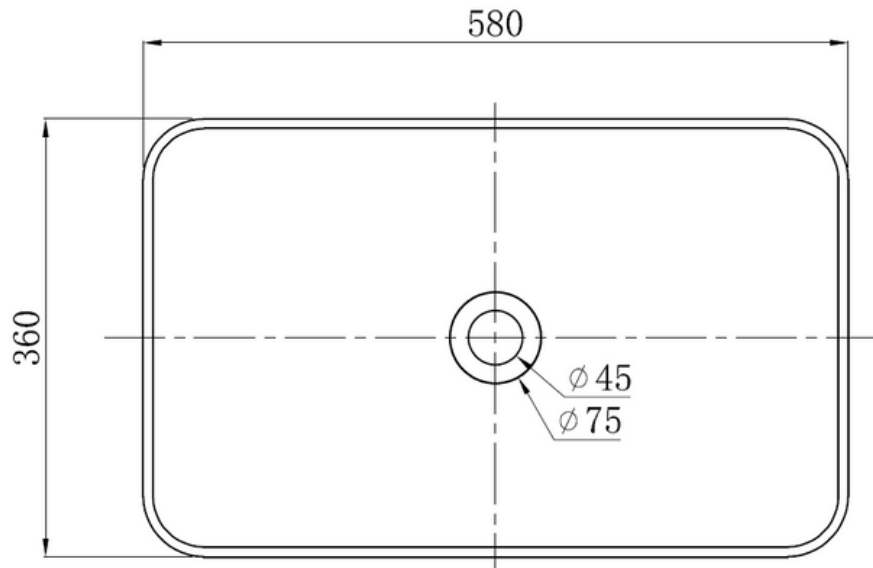
Notes:

- GFRC natural finish concrete
- 5 year manufacturers warranty

Options:

- Matching waste
- Range of colours

Size: 580 x 360 x 140 (mm)



Net Weight: 10kg
Gross Weight: 15kg