

G38478C 900mm Freestanding Vanity

Notes:

- Solid surface basin
- Overflow
- Matt white
- MDF timber cabinetry
- Chrome waste
- Optional matching stone waste
- 10 year manufacturers warranty

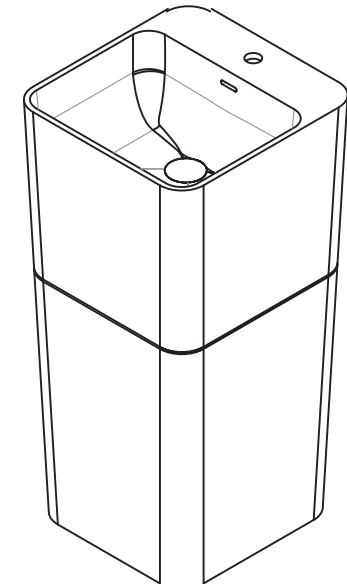
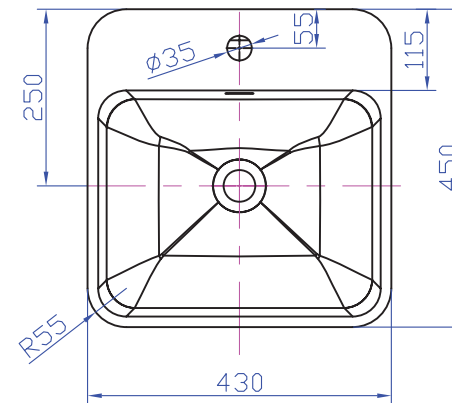
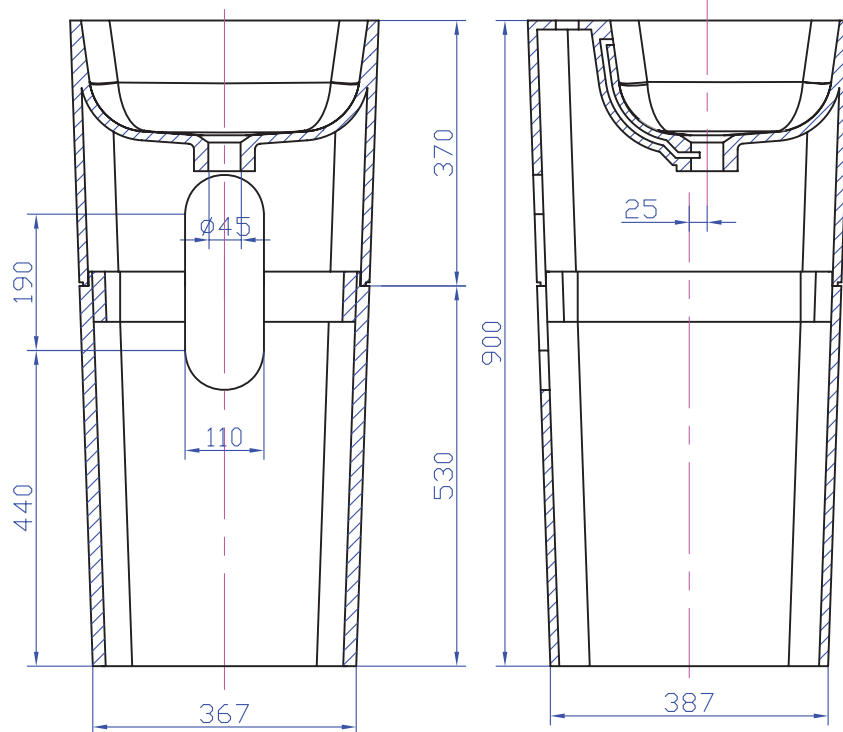
Finishes:

- Matte white
- Gloss white
- MDF timber colour range

Options:

- Stone waste
- Taphole

Size: 900 x 500 x 520(mm)



Net Weight: 35kg
Gross Weight: 38kg

AUSTRALIA

Phone: 1800 462 946
Email: info@stonebaths.com.au
Web: stonebaths.com.au

NEW ZEALAND

0800 001 872
Email: info@stonebaths.co.nz
stonebaths.co.nz