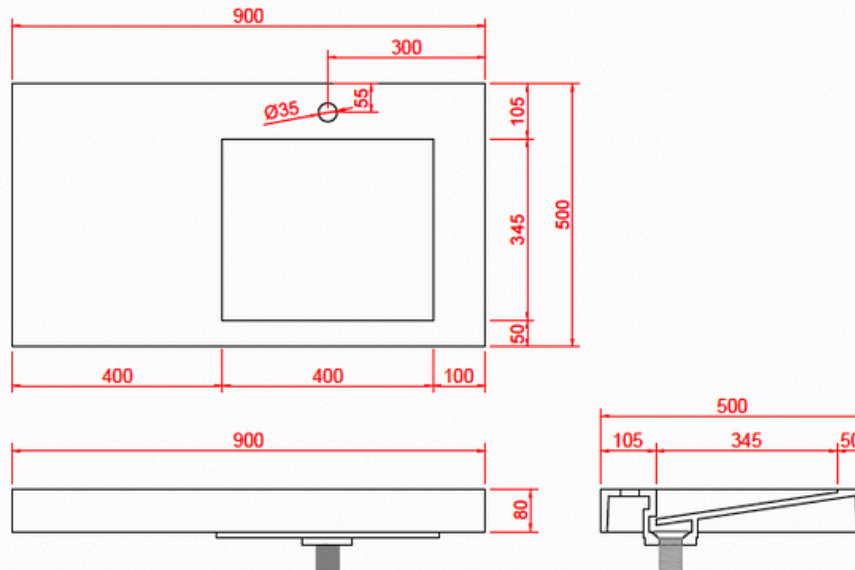


B1339-1 Ramp Basin 900mm

Notes:

- Matte white solid surface
- Free flow waste
- 10 year manufacturers warranty
- Includes wall fittings

Size: 900 x 500 x 80 (mm)



N.W 21Kg