

# HUGI

S T O N E B A T H S

AUSTRALIA  
Phone: 1800 462 946  
Email: info@stonebaths.com.au  
Web www.stonebaths.com.au

NEW ZEALAND  
Phone: 0800 001 872  
Email: info@stonebaths.co.nz  
Web www.stonebaths.com.au

 stonebaths  
Industry leaders since 2004

## B1157 Pedestal Vanity With Shelf

### Notes:

- Solid surface and steel
- Optional shelf
- 10 year manufacturers warranty

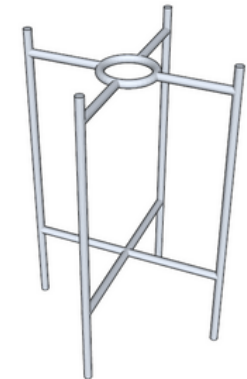
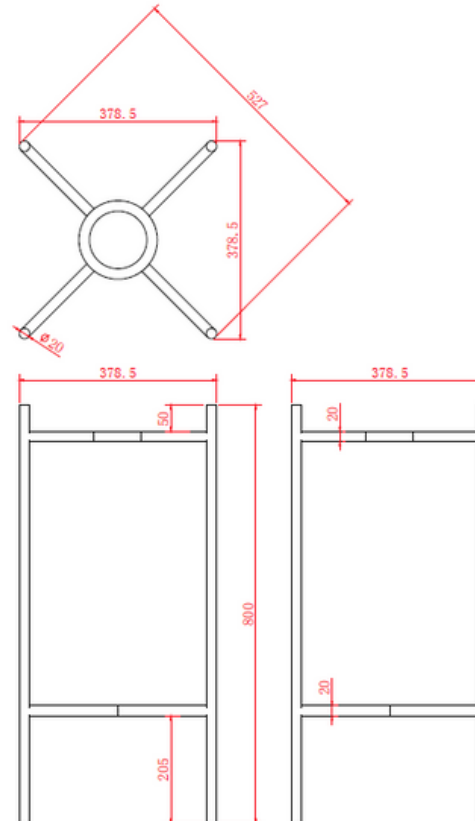
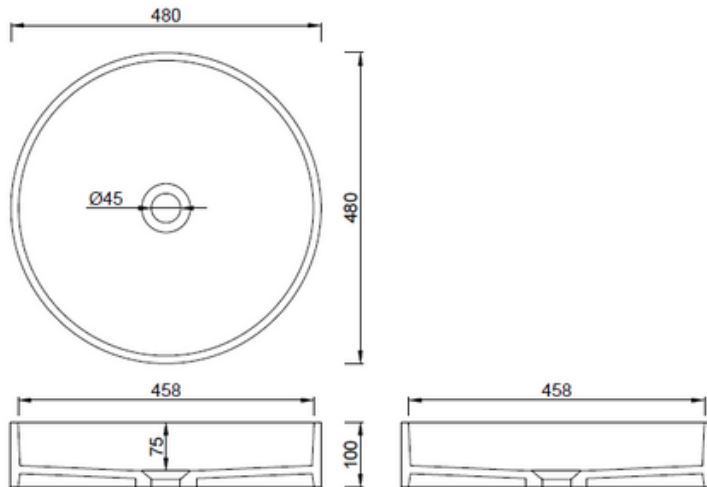
Stand - 800 x 379mm

Bowl - 480 x 100mm

Shelf - 480 x 12mm

### Options:

- Full colour range
- Black or chrome
- Pop up stone waste



Net Weight: 10kg  
Gross Weight: 12kg  
Unit: mm  
5-10mm tolerance