

B036 1810mm Freestanding Bath

Notes:

- Freestanding bathtub
- Polymarble or solid surface composition
- Matte white
- Chrome waste
- Optional matching stone waste available
- 10 years manufacturers warranty

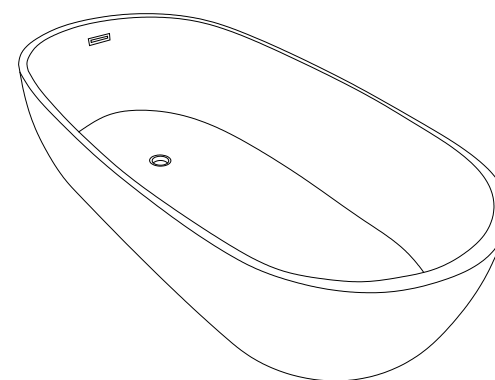
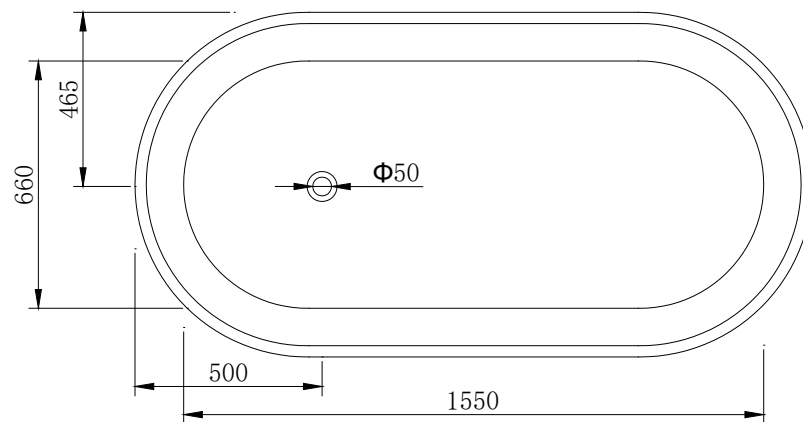
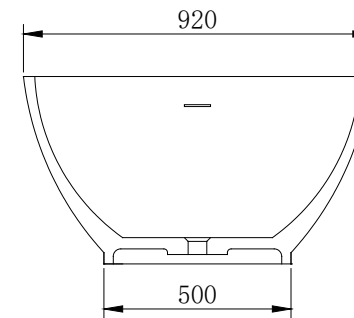
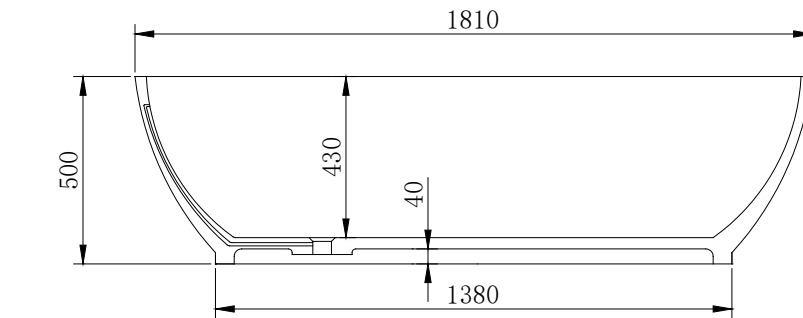
Finishes:

- Matte white
- Gloss white
- Full colour range

Options:

- Overflow
- Non-overflow
- Stone waste

Size: 1810L x 920W x 500H (mm)



Net weight: 225kg
Gross weight: 303kg
Water Capacity: 380lt
Unit: mm