

## B003-A 1828mm Freestanding Bath

### Notes:

- Freestanding bathtub
- Polymarble or solid surface composition
- Matte white
- Chrome waste
- Optional matching stone waste available
- 10 years manufacturers warranty

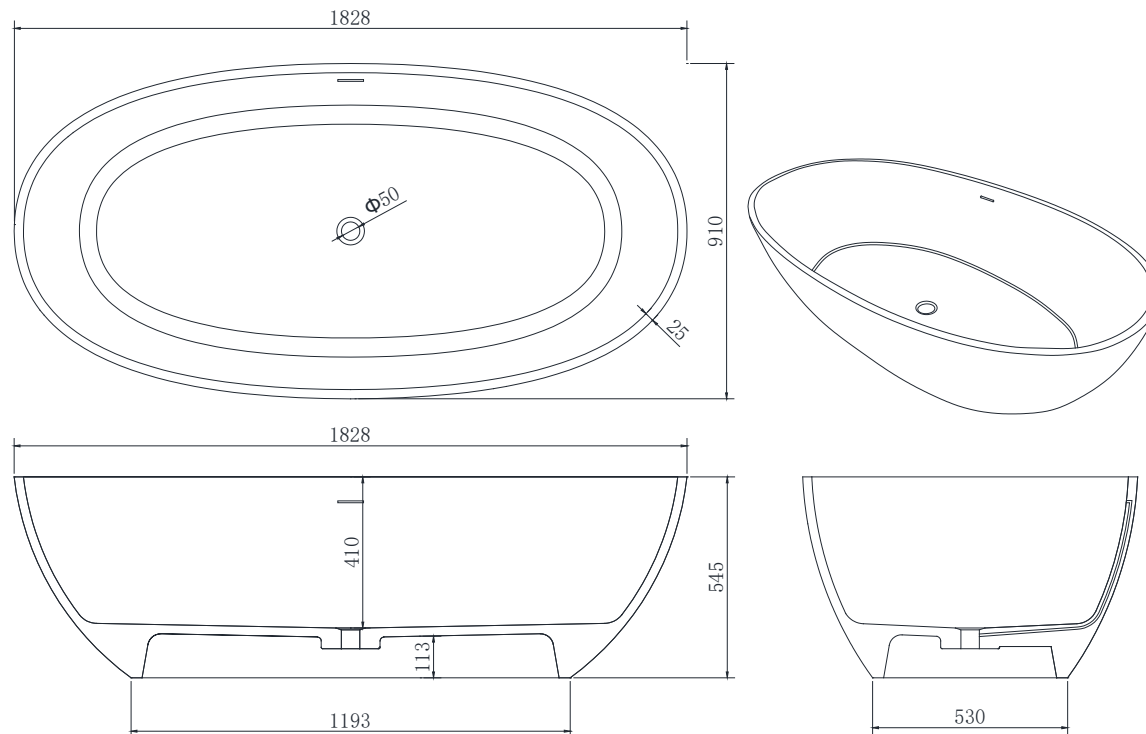
### Finishes:

- Matte Black
- Gloss white
- Full colour range

### Options:

- Overflow
- Non-overflow
- Stone waste

Size: 1828L x 910W x 545H (mm)



Net weight: 199kg  
Gross weight: 280kg  
Water Capacity: 380lt  
Unit: mm