

B003-A 1828mm Freestanding Bath

Notes:

- Freestanding bathtub
- Polymarble or solid surface composition
- Matte white
- Chrome waste
- Optional matching stone waste available
- 10 years manufacturers warranty

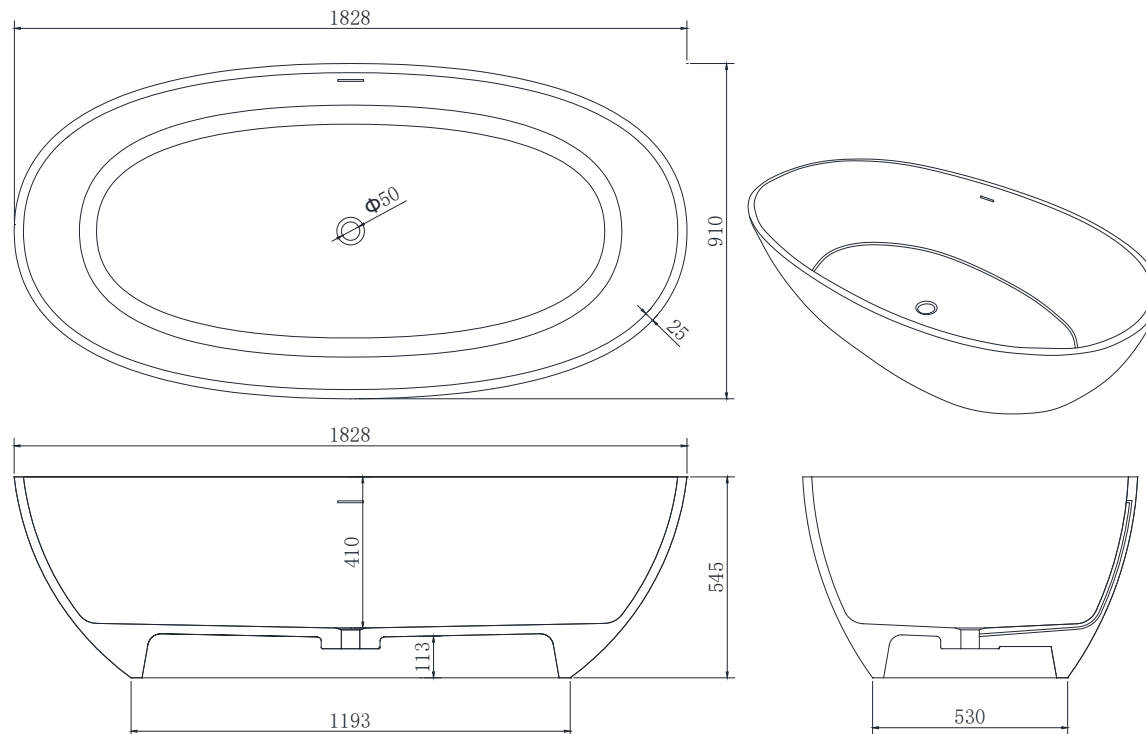
Finishes:

- Matte white
- Gloss white
- Full colour range

Options:

- Overflow
- Non-overflow
- Stone waste

Size: 1828L x 910W x 545H (mm)



Net weight: 199kg
 Gross weight: 280kg
 Water Capacity: 380lt
 Unit: mm