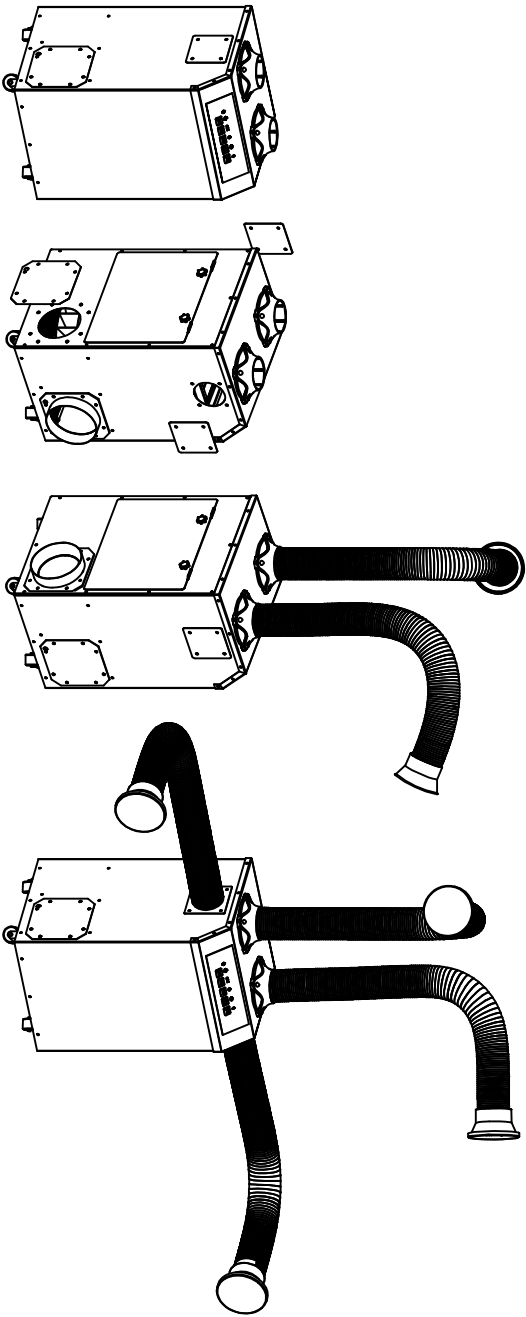


HealthyAir® SourceCapture® Fan-Filter Exhauster - Outside Ventilation Configuration

Model No.: HA-SCE-G2
 Replacement Filter Model No.: HA-FFM-1111
 Colors: White (HA-SCE-G2-W), Black (HA-SCE-G2-B), Gray (HA-SCE-G2-G)
 Unit Weight: 43 lbs.
 Unit Dimensions: 12 $\frac{1}{2}$ " L x 13 $\frac{3}{8}$ " W x 20 $\frac{5}{8}$ " H
 Inlet: Multi-Inlet - (2-4) 3"Ø Inlet Port
 Outside Vent Outlet Port: 5"Ø
 Extraction Hose: (1-2) 6'L, 3"Ø (Top Inlets), (1-2) 12'L, 3"Ø (Side Inlets)
 Custom length hose available
 Extraction Hood: 4 $\frac{5}{8}$ "Ø Circular or 3 $\frac{5}{8}$ " x 6 $\frac{1}{4}$ " Rectangular
 Voltage/Frequency: 120V/60 HZ, 3-prong plug-in power cord socket connection
 Optional 3W LED Lighting available for Dual Inlet system

Fan Speed	High	Med	Low
Power Consumption Avg. (W)	239	203	152
<u>HA-SCE-G2-D</u>			
Dual 2-Inlet: CFM Total (Cubic Feet/Min.)	334	252	196
Dual 2-Inlet: Avg. CFM/Inlet	167	126	98
<u>HA-SCE-G2-I</u>			
Triple 3-Inlet: CFM Total (Cubic Feet/Min.)	366	279	213
Triple 3-Inlet: Avg. CFM/Inlet	122	93	71
<u>HA-SCE-G2-Q</u>			
Quad 4-Inlet: CFM Total (Cubic Feet/Min.)	376	288	220
Quad 4-Inlet: Avg. CFM/Inlet	94	72	55

Complies with IMC Chapter 4 Ventilation Code Requirements



Refer to the HealthyAir® SourceCapture® Fan-Filter Exhauster Manual for Installation Instructions



Healthy Air Inc.
 (800) 259-2535 Ext. 1
 www.HealthyAir.com

Submittal

Date:
 Submitted To:
 Attention:
 Address:
 Tel:
 Email:

Project

Quote No.:
 Quote Date:
 Purchase Order:
 PO Date:
 Invoice No.:
 Invoice Date:

This print is the property of Healthy Air Inc. It shall not be traced or reproduced in any manner, nor shall it be submitted to outside parties for examination without our consent. It shall be used only as a means of reference to work designed or furnished by Healthy Air.