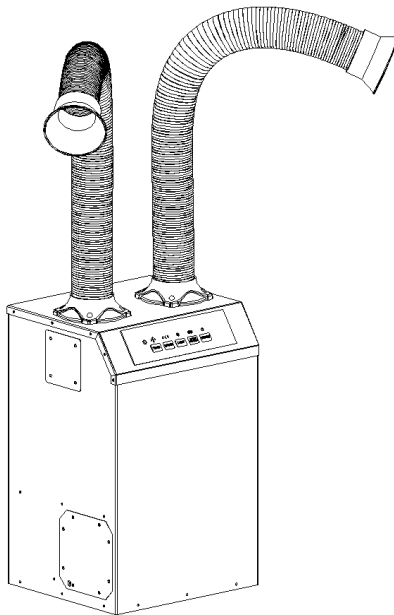




Source Capture® Fan-Filter Exhauster

HA-SCE-G2



Healthy Air Inc.
800-259-2535
www.HealthyAir.com

Table of Contents

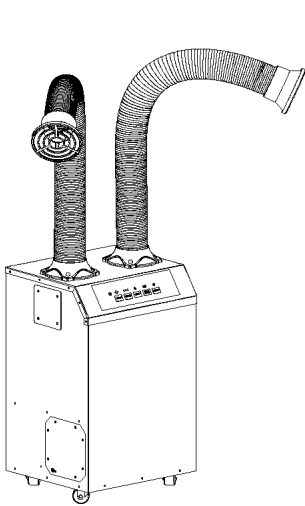
HealthyAir® Model Numbers – Unit & Filter	1
Important Safety Instructions	2
Technical Specifications	3
Packaging Reference	4
Unpacking Notice	5
Component Reference	6
Assembly Instructions - Outside Ventilation	7-9
Assembly Instructions – Recirculating Ventilation	10
Assembly Instructions – Inlet Ports/Hose/LED	11-16
Operation Guidelines	17-18
Filter Replacement	19-21
Maintenance	22
Basic Service and Troubleshooting	23-27
Electrical Wiring Schematic	28
1-Year Limited Warranty	29
Product Registration Form	30

Healthy Air Inc.

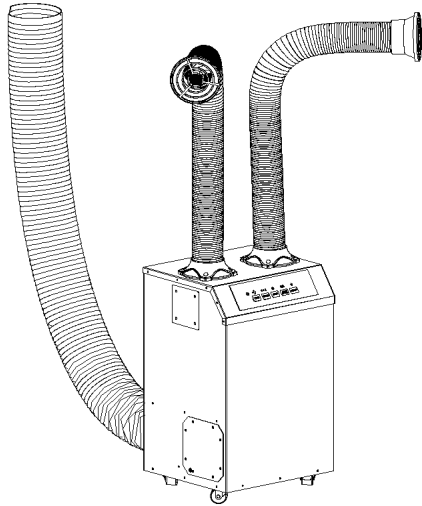
800-259-2535

www.HealthyAir.com

HealthyAir®
Source Capture® Fan-Filter Exhauster
HA-SCE-G2

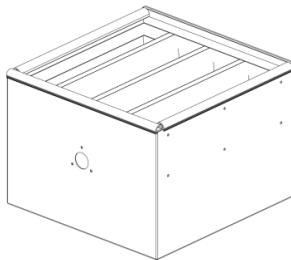


Recirculating Ventilation



Outside Ventilation

Filter Model No. HA-IFM-1111



www.HealthyAir.com



WARNING

Unplug the power cord before servicing or replacing filters. Failure to do so could result in serious personal injury and death.

I. Important Safety Instructions

Read the Owner's Manual and Important Safety Instructions carefully. Failure to follow these instructions could cause a malfunction of the unit.

It is advised that a surge protector device with a minimum rating of 1,000 Joules is used to protect the HealthyAir® unit from damage by AC power transients or lightening surges.

To reduce the risk of electric shock, fires, and/or injury:

- Do not use the unit in wet or damp locations
- Do not use outdoors
- Do not use at ambient temperature of above 95°F/35°C
- Do not use fabrics or other material to cover the inlet and outlet of the unit
- Do not allow children to operate or play with the unit

For safety reasons and to prevent electric shock, unplug the power cord from the electric outlet socket under the following conditions:

- When not in use for a long period of time
- When cleaning, servicing, moving, or replacing filters

To prevent electric shock, do not dismantle, repair or modify this product. Maintenance and cleaning instructions should be followed exactly as directed in this manual. In case of malfunction, please contact an authorized distributor or Healthy Air Inc. for service instructions.

To reduce the risk of electric shock, the equipment has a grounding type plug that has a third (grounding) pin. This plug will only fit into a grounding type power outlet. If the plug does not fit into the outlet, contact qualified personnel to install the proper outlet. Do not alter the plug in any way.

To reduce the risk of electric shock, do not pull the cord to remove the plug from its outlets. Protect the cord against heat, oil and sharp objects. Do not run any appliance over the cord. Do not pull or carry by the cord, use cord as a handle, close a door on the cord, or pull cord around sharp edges or corners.

II. Technical Specifications

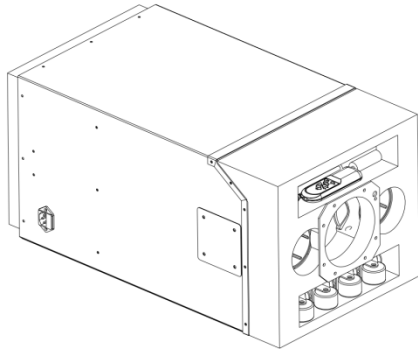
Visit www.HealthyAir.com and select Specifications from the menu bar to download detailed Specification Sheet, with complete product dimensions and inlet airflow rate information.

Model Number	HA-SCE-G2-W/B/G
Rated Voltage	120V/60HZ
Power Consumption	200W
Weight	40 lbs. (18 kg)
Base Dimensions	14x12x24 in. (350x310x615 mm)
Hose Length (Standard)	48 in (122 cm)
Air Flow Total Air Flow/Inlet (Avg.)	470 cfm (800 m ³ /h) 118 cfm (200 m ³ /h)
Sound Level	54 dB

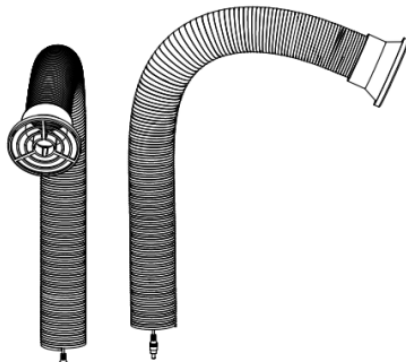
III. Packaging Reference

The Source Capture® Fan-Filter Exhauster is shipped in two (2) cartons, as follows:

Carton 1: (1) Fan-Filter Exhauster Unit, (1) Fan-Filter Module, (4) Wheel Casters, (2) Inlet Flange, (1) Outlet Flange, (1) Acoustic Mat, (1) Remote Control, (1) Power Cord, (1) Screwdriver



Carton 2: (2-4) Extraction Hose w/ Hood, (2-4) LED Grille + LED Cable + LED Bulb (Optional), (1-2) Inlet Tube (Optional)



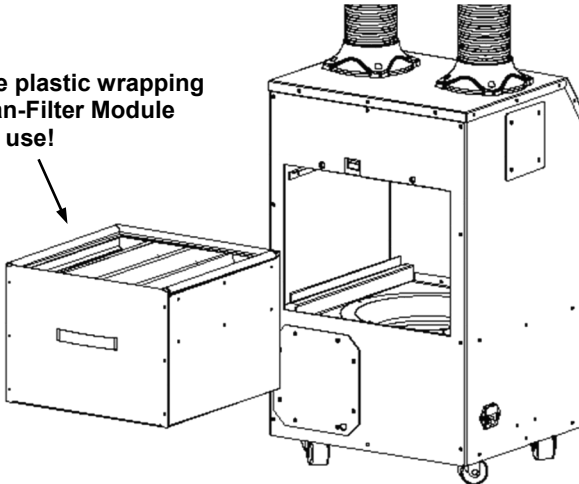
IV. Unpacking Notice



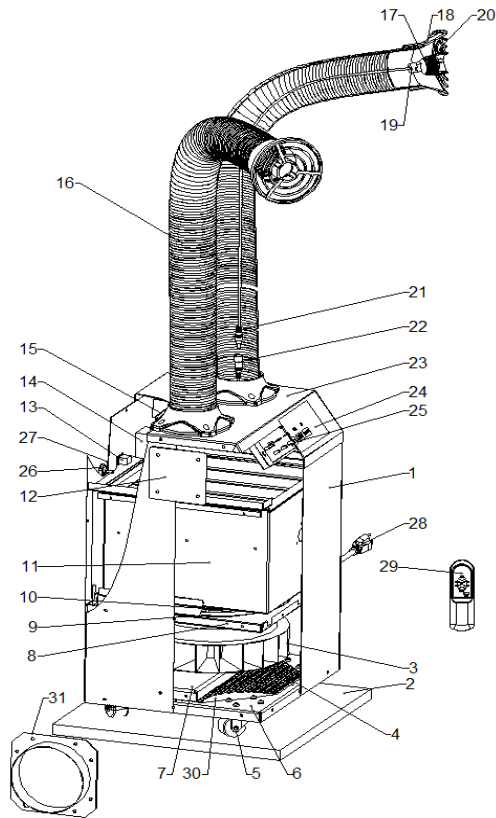
Before operating the machine, do the following:

1. Open the Access Door (Refer to Section 7.2)
2. Remove the Integrated Filter Module (HA-FFM-1111)
3. Remove the plastic wrapping from the filter!
4. Re-install the Integrated Filter Module
5. Replace and secure the Access Door

Remove plastic wrapping
from Fan-Filter Module
prior to use!



IV. Component Reference



- | | | |
|----------------------|-------------------------|-----------------------------|
| 1. Outer Frame | 11. Fan-Filter Module | 21. LED Cable Plug (Option) |
| 2. Acoustic Mat | 12. Inlet Port | 22. LED Cable Socket |
| 3. Blower/Motor | 13. Safety Switch | 23. Top Cover |
| 4. Metal Screen | 14. Capacitor | 24. Control Panel Display |
| 5. Caster Wheels | 15. PCB Board | 25. Control Display Board |
| 6. Base Plate | 16. Extraction Hose | 26. Thumb Screw |
| 7. Motor Mount Plate | 17. LED Bulb (Option) | 27. Access Door |
| 8. Baffle Plate | 18. Hood | 28. Power Cord |
| 9. Guide Ring | 19. G4 Mount (Option) | 29. Remote Control |
| 10. Safety Screen | 20. LED Grille (Option) | 30. Base Blank-Off Plate |
| | | 31. Outlet Flange |

V. Assembly Instructions

5.1 Outside Ventilation Configuration

The HealthyAir® HA-SCE-G2 may be configured for Outside Ventilation, to connect the outlet to ducting to exhaust filtered air out of the facility.

For Recirculating Ventilation use, in which filtered air is discharged from the bottom of the unit and recirculated back into the facility skip Section 5.1 and refer to the installation instructions in Section 5.2.

For Outside Ventilation configuration, the unit comes with one (1) Outlet Flange and one (1) Base Blank-Off Plate, as shown in Fig. 1.

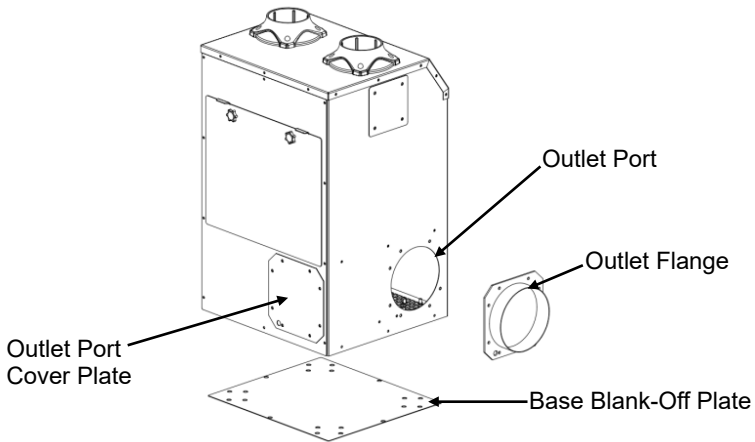


Fig. (1) –Outside Ventilation Configuration

The HealthyAir® HA-SCE-G2 unit has two Outside Vent Outlet Ports, one located on the back panel, and one located on the side panel, as shown in Fig. 2. Each Outlet Port is equipped with an Outlet Port Cover Plate.

Either Outlet Port may be used for outside venting, depending on which configuration is more suitable for connection to exhaust ducting.

V. Assembly Instructions

5.1 Outside Ventilation Configuration

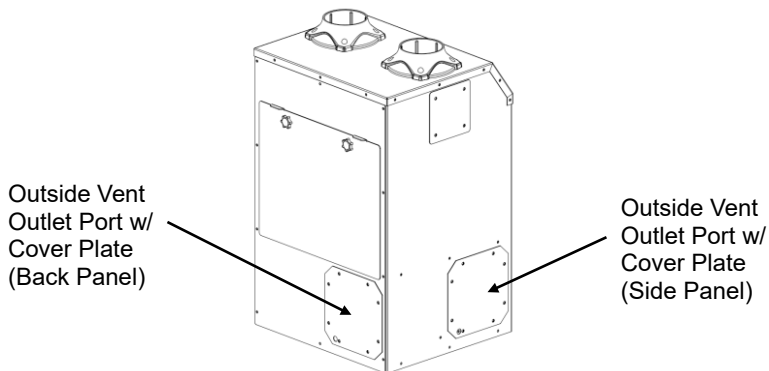


Fig. (2) – Outside Vent Outlet Ports

- 5.1.1 Remove the (16) Mounting Screws that are preinstalled on the Base Plate.
- 5.1.2 Position the Base Blank-Off Plate over the Base Plate.
- 5.1.3 Ensure that the bolt pattern for the Caster Wheels on the Base Blank-Off Plate aligns with the bolt pattern on the Base Plate.
- 5.1.4 Reinstall the (16) Mounting Screws to secure Base Blank-Off Plate.

Note, for outside ventilation application the unit may also be setup with the Caster Wheels installed on the Base Blank-Off Plate.

In this case, position the Base Blank-Off Plate, place the Caster Wheels over the plate and reinstall the Mounting Screws to secure the Blank-Off Plate and Wheels.

V. Assembly Instructions

5.1 Outside Ventilation Configuration

- 5.1.5 Determine which Outlet Port (back panel or side panel) will be used for connection to exhaust ducting, and then remove the Outlet Port Cover Plate to open the Outlet Port.
- 5.1.6 Install the Outlet Flange on the Outlet Port, as shown in Fig.3.
- 5.1.7 Connect a 5" diameter Exhaust Duct or Pipe (not supplied) to the Outlet Flange and ensure that the connection is secure with an airtight seal.
- 5.1.8 Run the Exhaust Duct/Pipe out of the facility per applicable mechanical codes.

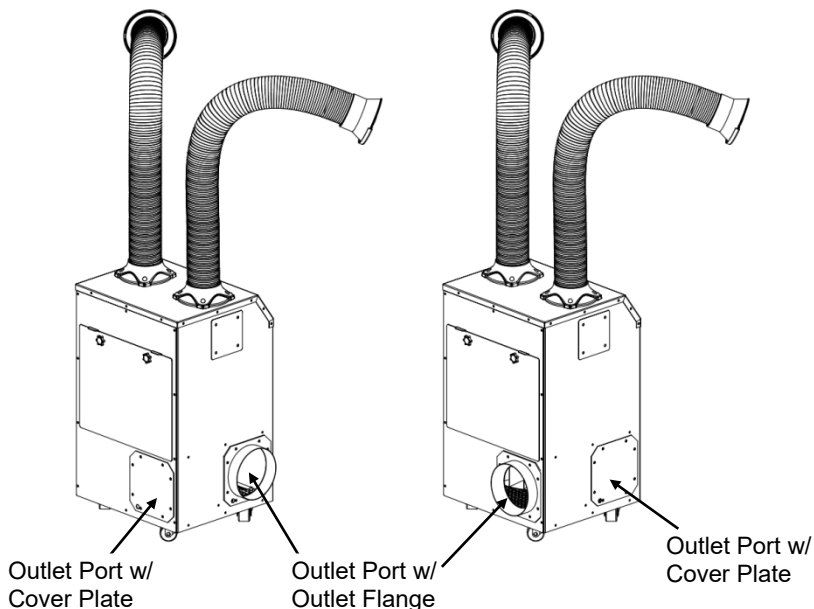


Fig. (3) – Outlet Flange Installation

V. Assembly Instructions

5.2 Recirculating Ventilation Configuration

When the unit is setup for Recirculating Ventilation, particles are collected by the unit and filtered air is discharged from the bottom of the unit and recirculated within the facility.

- 5.2.1 Place the unit on its side on a flat surface, as shown in Fig. 4.
- 5.2.2 Locate the four (4) Caster Wheels and the screwdriver that are provided in Carton 1.
- 5.2.3 Unscrew and remove the Mounting Screws that are pre-mounted on the Base Plate, on the bottom of the unit. There are four (4) screws per wheel, for a total of sixteen (16) Mounting Screws.
- 5.2.4 Align the bolt holes of the Caster Wheels with the bolt holes on the Base Plate and use four (4) Mounting Screws to secure each Caster Wheel to the Base Plate.

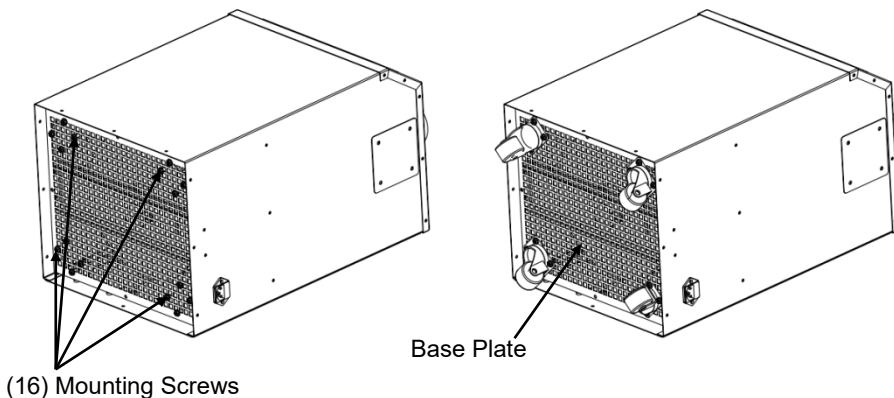


Fig. (4) – Caster Wheel Installation

V. Assembly Instructions

5.3 Inlet Port Configuration

The HA-SCE-G2 unit has a total of (4) Inlet Ports, with (2) Inlet Ports located on the top, (1) Inlet Port located on the left side, and (1) Inlet Port located on the right side of the unit, as shown in Fig. 5.

The unit comes with (2) Inlet Flange installed on the top port and (2) Inlet Port Cover Plate installed on the left and right side port, respectively, as shown in Fig. 5.

If the default configuration, with use of the (2) Inlet Ports on top, is preferred, then skip the following instructions and proceed to Section 5.4 to install the Extraction Hose.

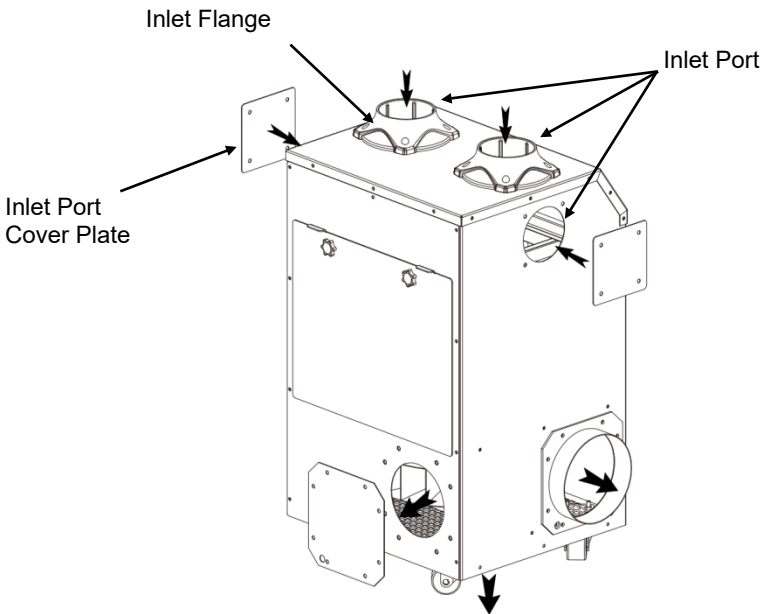


Fig. (5) – Inlet Ports w/ Inlet Flange and Cover Plates

V. Assembly Instructions

5.3 Inlet Port Configuration

Depending on the number of workstations that are being served by the unit, (2-4) Inlet Ports may be utilized.

In some cases, use of the Inlet Ports on the side of the unit may be preferred and the unit can be reconfigured accordingly.

5.3.1 To make use of the Inlet Port on the left and/or right side of the unit, remove the Inlet Port Cover Plate, shown in Fig. 5, by unscrewing the (4) screws.

5.3.2 To relocate the Inlet Flange from the top of the unit to the side, unscrew the (4) screws that secure it to the top.

5.3.3 Place the Inlet Flange over the Inlet Port and align the bolt patterns.

5.3.4 Install the Inlet Flange on the unit by screwing in the (4) screws.

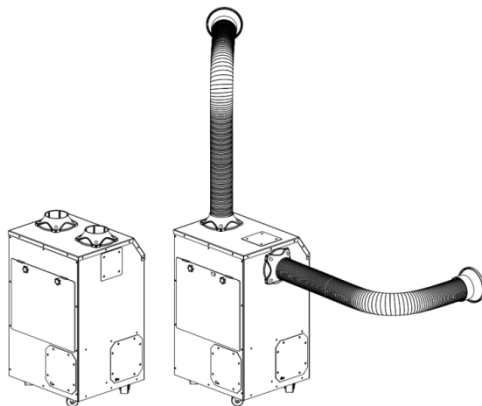


Fig. (6) – Inlet Tube Installation

V. Assembly Instructions

5.3 Inlet Port Configuration

To utilize (3-4) Inlet Ports, additional Inlet Flange or Inlet Tube are required. These components are optional add-ons and may be ordered by contacting us.

5.3.5 To make use of the (3-4) Inlet Ports, remove the Inlet Port Cover Plate, shown in Fig. 5, on the left and/or right side of the unit, by unscrewing the (4) screws.

5.3.6 Place the additional Inlet Flange over the Inlet Port and align the bolt patterns.

5.3.7 Install the Inlet Flange on the unit, as shown in Fig. 7, by screwing in the (4) screws.

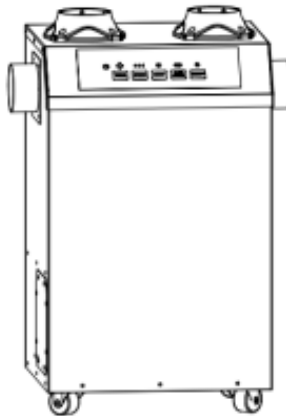


Fig. (7) – Inlet Flange Installation

V. Assembly Instructions

5.4 Extraction Hose Installation

The Extraction Hose is semi self-supporting and constructed of interlocking bands that enable its length and shape to be adjusted.

Note that, the Extraction Hose will unravel if it is lengthened or bent past its tolerance point.

- 5.4.1 Install the Extraction Hose on the unit by sliding the end of the Extraction Hose into the Inlet Flange, as shown in Fig. 8.

Note: If the diameter of the Extraction Hose needs to be adjusted for a tight fit, twist the end of the hose counterclockwise to increase the diameter and/or twist the end of the hose clockwise to decrease the diameter.

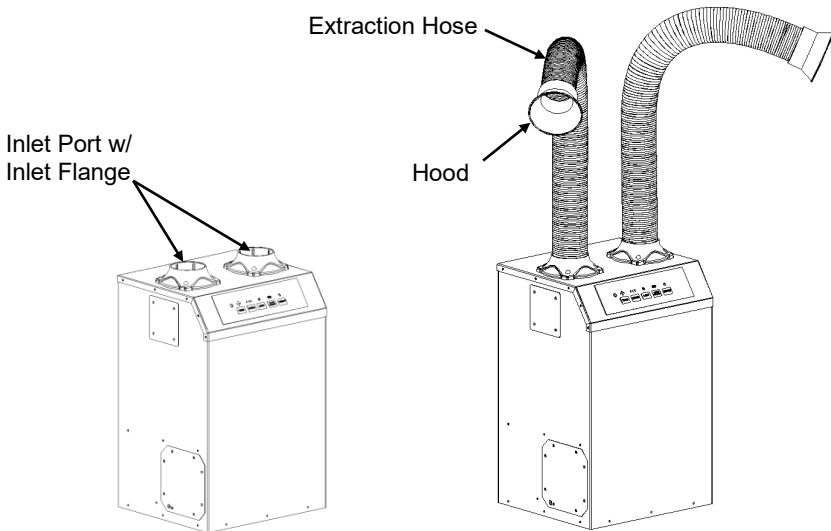


Fig. (8) – Extraction Hose Installation

V. Assembly Instructions

5.4 Extraction Hose Installation

5.4.2 If the side ports are being used, install the Extraction Hose on the unit by sliding the end of the Extraction Hose into the Inlet Flange, as shown in Fig. 9 and Fig. 10.

If the diameter of the Extraction Hose needs to be increased, twist the end of the hose counterclockwise. If the diameter needs to be decreased, twist the end of the hose clockwise.

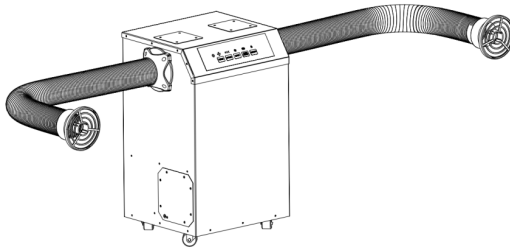


Fig. (9) – (2) Extraction Hose Side Port Installation

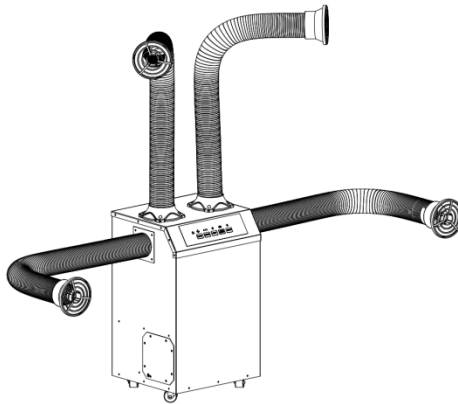


Fig. (10) – (4) Extraction Hose Installation

V. Assembly Instructions

5.5 Install LED Lighting (Optional)

Note that, the LED Lighting system is an optional feature. To add this feature after the initial purchase contact us to order.

- 5.5.1 Mount the LED Light Bulb on the Grille, by inserting the lip of the bulb into the 4-piece cylinder located in the center of the Grille.
- 5.5.2 Connect the LED Cable to the LED Light Bulb, by sliding the two (2) prongs of the bulb into the G4 Bulb Mount.
- 5.5.3 Pass the LED Cable through the Hood and length of the Hose.
- 5.5.4 Connect the Grille to the Hood by snapping it onto the rim of the Hood
- 5.5.5 Connect the LED Cable Plug to the LED Cable Socket of the LED Cable that is fixed to the edge of the Inlet Port.

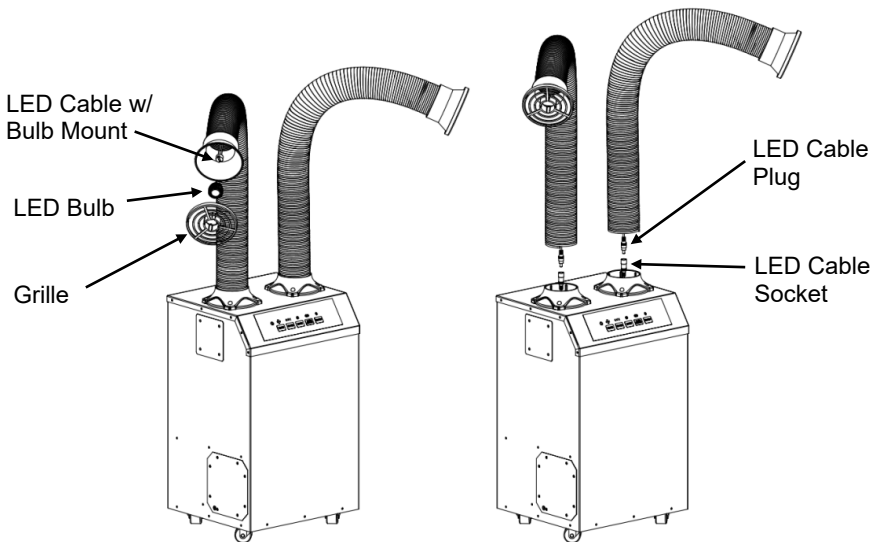


Fig. (11) – LED Light Installation


VI. Operation Guidelines

6.1 Source Capture System Positioning

Place the Source Capture Fan-Filter Exhauster in the desired location and adjust the Extraction Hose to position the Hood approximately 6"-12" from the source of the particulate and fume generation.

If the unit is configured for recirculating ventilation, place the Acoustic Mat below the unit to dampen the sound. The Acoustic Mat is not needed if the unit is configured for outside ventilation.

6.2 Source Capture System Activation

6.2.1 Plug the Power Cord into the Power Socket, located on the bottom of the side panel of the unit. Then plug the other end of the cord into a surge protector that is plugged into an electrical outlet. Once plugged in, the Power indicator light [] will turn on and display a red light.

6.2.2 Activate the unit by pressing the Power button located on the Control Panel, shown in Fig. 12, or on the Remote Control. Once the unit is powered, the motor will start with the Fan Speed set to the Mid-Speed.

6.3 Source Capture System Controls

Each of the respective control elements shown on the Control Panel Display in Fig. 12 work as follows:

- **SPEED** button on Control Panel and Remote control, adjusts the volume of airflow being taken in through the hood. Airflow speed can be adjusted to one of three settings, as follows:
Low – Mid – High Speed.
- **TIMER** button, on Control Panel and Remote control, is for operation of the timing clock. When this feature is in use the unit will automatically shut-off after the set time expires. The system's default timing is 4-hours of operation.

VI. Operation Guidelines

6.3 Source Capture System Controls

- **TIMER**

To set the timer manually, press the TIMER button once for every hour you wish to run the machine (i.e. press TIMER once for 1-hour of run time, press TIMER twice for 2-hours of run time, press TIMER three times for 3-hours of run time, and press TIMER four times for 4-hours of run time).

If the TIMER button is pressed five (5) times, such that it passes through the complete timing schedule, it will run continuously until the unit is manually turned off.

- **LIGHT** button, on Control Panel and Remote control, turns the LED Light on and off. When the LED Light is on the symbol above the button turns green. Pressing the LIGHT button once more will turn off the LED Light as well as the indicator light.
- **FILTER CHANGE** indicator light, on Control Panel, begins to flash after 400-hours of operation to indicate that it is time to replace the filter.
- **eHEPA** feature is not active on the Fan-Filter Exhauster unit.



Fig. (12) - Control Panel Display

VII. Filter Replacement

7.1 Replacement Filter

The Source Capture Fan-Filter Exhauster (HA-SCE-G2) utilizes the HealthyAir® replacement filter model HA-FFM-1111.

Note that, only manufacturer supplied HealthyAir® Replacement Filters are compatible with the unit. No other filters are to be used with this unit, and the improper use of non-manufacturer supplied filters will void any potential warranty claim.

7.2 Filter Change

When the unit has been in operation for 400-hours, the Filter Change indicator light, will begin to flash indicating that the filters must be replaced.

Note: Depending on usage and contaminants in the environment, the filter may need to be replaced before or after the 400-hour default cycle expires.

7.2.1 Turn the Power Off and unplug the Power Cord from the Power Socket.

7.2.2 Remove the Access Door, as shown in shown in Fig. 13.

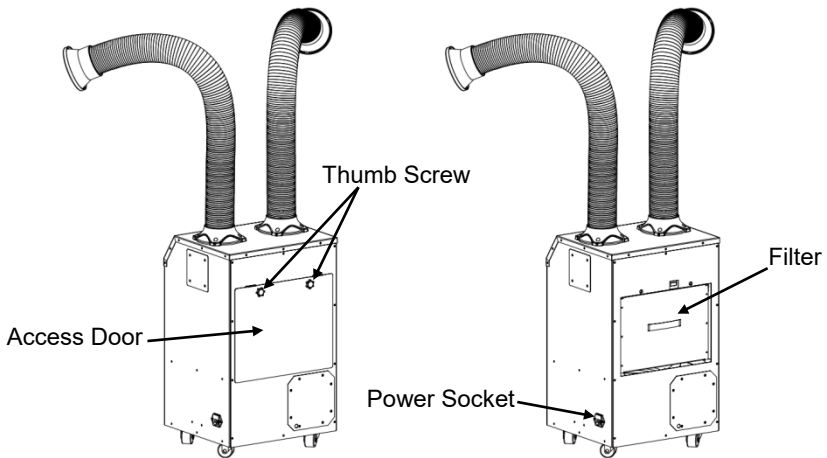


Fig. (13) – Access Door Removal

VII. Filter Replacement

7.2 Filter Change

7.2.3 Remove the used filter.

7.2.4 Install a new HA-FFM-1111 Filter into the Filter Compartment, as shown in Fig. 14.

7.2.5 Reinstall the Access Door, ensuring that the Access Door is properly inserted back into its track. Once the Access Door is properly aligned and set in place, secure it by screwing in the Thumb Screws.

7.2.6 Plug the Power Cord back into the Power Socket and electrical outlet.

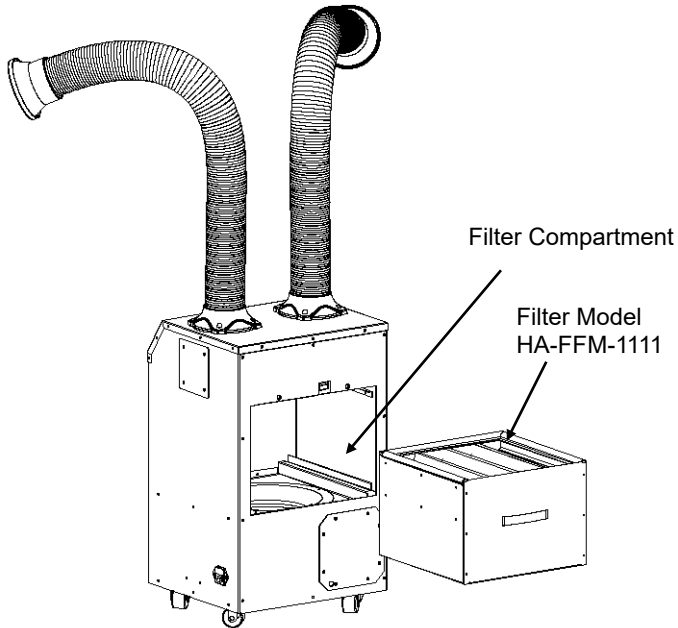



Fig. (14) – Replacement Filter Installation

VII. Filter Replacement

7.3 Filter Change Indicator Light Reset

Once the filter has been replaced and the unit is powered on, the Filter Change indicator light may continue to flash. To reset the filter change timer and deactivate the flashing light, go through the following reset procedure:

- 7.3.1 Unplug the Power Cord from the Power Socket, wait a couple seconds and plug the Power Cord back into the Power Socket.
- 7.3.2 Press and hold down the Power Button [] on the Control Panel (not the Remote Control) for five (5) seconds.
- 7.3.3 After five (5) seconds has passed, release the Power Button. The filter change timer will have reset to 400-hours and the Filter Change indicator light will have stopped flashing now.

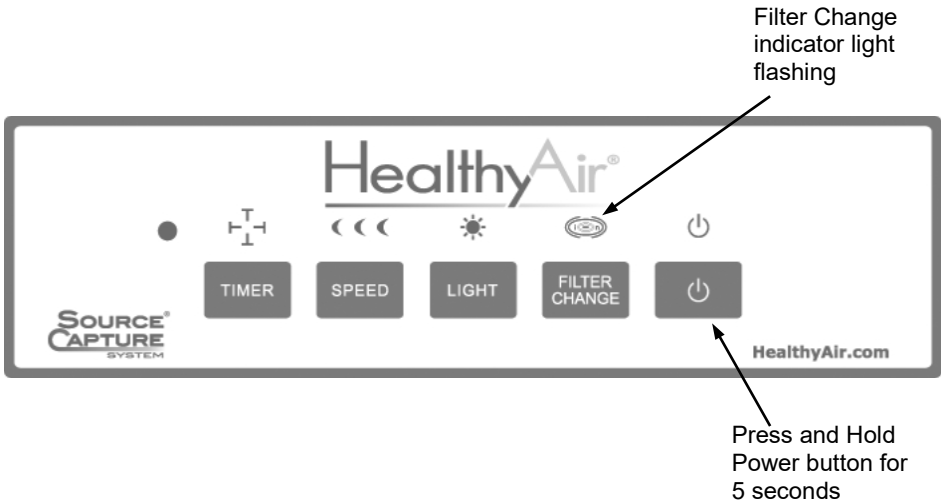


Fig. (15) Filter Change Indicator Light Reset

VIII. Maintenance

Caution: The HV Contact Spring may store a slight charge even after the unit is powered off. Avoid direct contact with the HV Contact Spring.

8.1 Cleaning Filter Compartment

Visually inspect the interior of the Filter Compartment when the filter is removed from the unit during the filter replacement process. If debris has accumulated in the Filter Compartment, clean the interior of the unit as follows:

- 8.1.1 Turn the Power Off, unplug the Power Cord from the Power Socket, remove the Access Door, and remove the filter from the unit.
- 8.1.2 Vacuum and remove any debris that has accumulated in the filter compartment and adjacent accessible areas of the interior of the unit.
- 8.1.3 Properly replace the Access Door, as previously described herein.

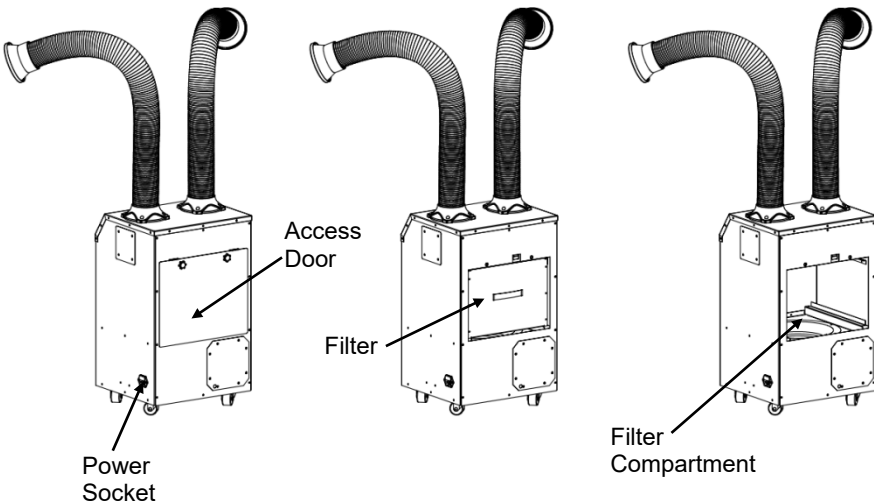


Fig. (16) – Cleaning Filter Compartment

IX. Basic Service and Troubleshooting

The Basic Service Guide should cover most performance issues. If you continue to experience issues after referring to this list, please contact Healthy Air Inc.

9.1 System is Inoperable

If the unit fails to power on, the issue may be the result of one of the following causes. In some cases, the unit will require service by the manufacturer or a professionally licensed electrician.

Possible Cause	Solution
Blown Fuse	Replace the Fuse
Safety Switch not engaged	Properly close the Access Door
Safety Switch malfunction	Replace the Safety Switch
HV Board malfunction	Replace the HV Board
PCB Board delay function	Unplug and re-plug Power Cord

9.2 System Power is On but Unit is Inoperable

If the unit powers on but fails to operate properly, the issue may be the result of a faulty electrical board and will require service by the manufacturer or a professionally licensed electrician.

Possible Cause	Solution
PCB Board malfunction	Reconnect/Replace PCB Board

IX. Basic Service and Troubleshooting

9.3 System Power is On but Fan is Inoperable

If the unit powers on but the fan fails to operate, the issue may be the result of a faulty motor and will require service by the manufacturer or a professionally licensed electrician.

Possible Cause	Solution
Fan/Motor malfunction	Replace the Fan/Motor
PCB Board malfunction	Replace the PCB Board

9.4 Fan Speed Cycle Error

If the unit does not properly cycle through all three (3) fan speed settings, or the unit shuts off when cycling through the fan speed settings, the issue may be the result of one of the following causes.

Contact the manufacturer for the Control Panel reset instructions. If that does not resolve the issue, the unit will require service by the manufacturer or a professionally licensed electrician.

Possible Cause	Solution
Control Panel program error	Control Panel reset procedure
Display Board malfunction	Replace Display Board

IX. Basic Service and Troubleshooting

9.5 Extraction Hose Fails to Remain in Position

If the Extraction Hose assembly fails to remain in position, the issue may be the result of one of the following causes or may require replacement parts.

Possible Cause	Solution
Hose rigidity reduced	Rotate Hose clockwise
Loose Hose connection	Adjust Hose diameter for tight fit

9.6 Extraction Hose Unravels

If the Extraction Hose is lengthened, expanded or bent past its tolerance point, the hose may come apart and unravel. The issue may be the result of one of the following causes and may require replacement parts.

Possible Cause	Solution
Expanded past tolerance	Reconnect or replace Hose
Lengthened past tolerance	Reconnect or replace Hose
Bent past tolerance	Reconnect or replace Hose
Hose faulty	Replace Hose

IX. Basic Service and Troubleshooting

9.7 LED Light Fails to Turn On

If the LED Light fails to turn on, the issue may be the result of one of the following causes and may require replacement parts.

Possible Cause	Solution
LED Cable is not connected	Reconnect LED Cable
LED Mount is faulty	Replace LED Cable
LED Bulb is burnt out	Replace LED Bulb

9.8 Remote Control is Inoperable

If the Remote Control fails to operate the unit, the issue may be the result of one of the following causes and may require replacement parts or service by the manufacturer or a professionally licensed electrician.

Possible Cause	Solution
Battery nearly exhausted	Replace batteries
Remote Control faulty	Replace Remote Control
Display Board fault	Replace Display Board

IX. Basic Service and Troubleshooting

9.9 Reduced Airflow/Reduced Dust Collection Efficiency

If the fan/motor is properly functioning, but the unit exhibits reduced airflow and/or reduced particulate collection efficiency, the issue may be the result of one of the following causes and may require filter replacement.

Possible Cause	Solution
Filter is fully loaded	Clean or Replace Filter
Hose connection is loose	Secure Hose to Inlet Port

9.10 Filter Change Indicator Light is Flashing

If the unit is properly functioning and the Filter Change indicator light is flashing, the default filter change timer has expired and the filter should be replaced.

Possible Cause	Solution
Filter change cycle timer expired	Replace Filter and reset timer

X. Electrical Wiring Schematic

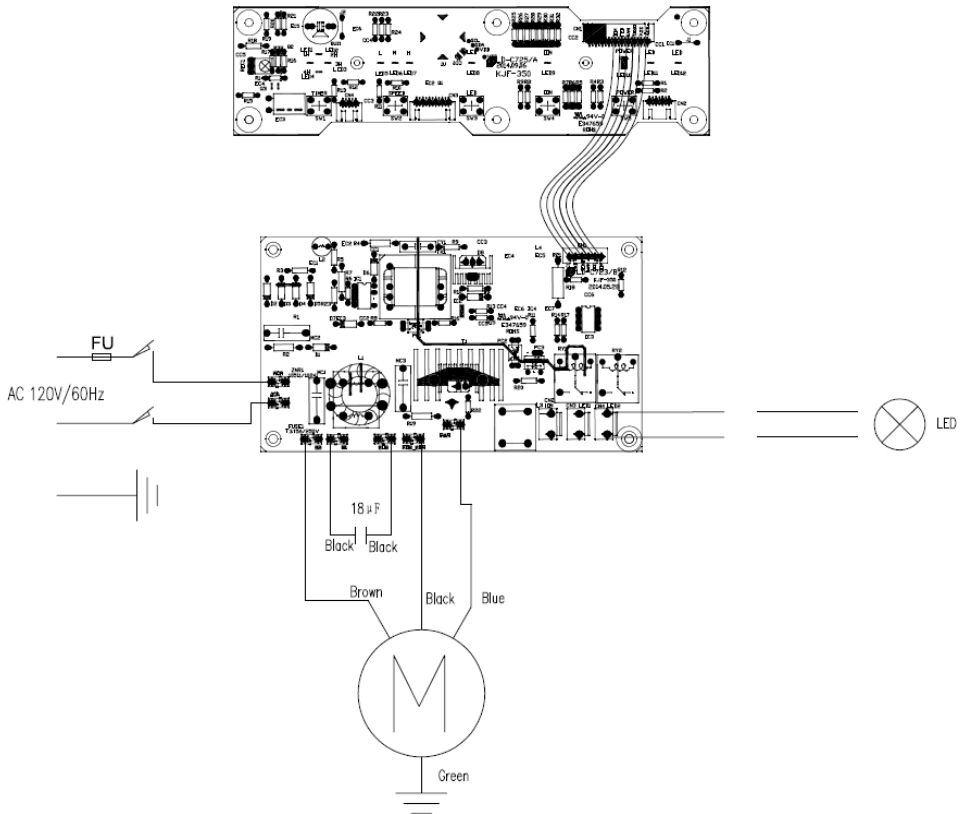


Fig. (17) – Electrical Wiring Schematic

Healthy Air Inc. 1-Year Warranty

Healthy Air Inc. only makes this 1-Year Warranty ("Warranty") to the original retail purchaser who submits the enclosed Warranty Registration Card within 10 days of purchase by email to Sales@HealthyAir.com.

This Warranty applies only to the repair or replacement of any manufactured or supplied part of this product which, upon inspection by Healthy Air Inc. authorized personnel, proves to have failed in normal use due to defects in material or workmanship.

The sole responsibility of Healthy Air Inc. under this Warranty is, in its sole discretion, to either repair or replace a duly registered product (or defective part thereof) with the same or a comparable model within a reasonable period of time, subject to the following exclusions, limitations, statutory rights and warranty claim procedures.

This Warranty is exclusive, and Healthy Air Inc. expressly disclaims all other or additional warranties, whether written or oral, expressed or implied, including, but not limited to, warranties of merchantability, workmanship, or fitness for a particulate purpose.

Retain proof of purchase and the original box and packing materials.

Exclusions to the Warranty

This Warranty does not apply, or is void, as to any product or part damaged by (1) accident, misuse, abuse, or lack of reasonable care or normal maintenance; (2) installation or operation under conditions other than those recommended by Healthy Air Inc.; (3) subjecting the product to any but the specified voltage; (4) servicing or disassembly by unauthorized personnel; (5) removing or defacing the serial number; or (6) modifying the original factory-assembled unit in any way.

This Warranty does not apply to shipping charges for product shipped to or from the manufacturer or designated distributor in connection with warranty claims nor does it apply to any damages that occur during such shipment.

This Warranty does not apply to installation, removal, reinstallation, and/or related expenses. This Warranty does not apply to replacement filters.

Healthy Air Inc.
1-Year Warranty
Product Registration Form

Please complete the Product Registration Form and submit it to Healthy Air Inc. within ten (10) days of the original purchase, to validate 1-Year Limited Warranty.

Submit the completed form via email by sending a scanned image or photograph to Info@HealthyAir.com.

Note that, the Model Number and Serial Number are written on the sticker located at the bottom of the side panel of the unit.

Please contact us at (800) 259-2535 or visit www.HealthyAir.com for Customer Service and Orders.

Name:	
Business Name:	
Street Address:	
City, State, Zip:	
Phone Number:	
Email Address:	
Date of Purchase:	
Purchased From:	
Model Number:	
Serial Number:	