



## *HealthyAir® Ceiling-Mount Source Capture System®*

*Air Purification & Local Exhaust Ventilation System*

*Model: HA-CMSC-G3*



*Healthy Air Inc.*

*The Source For Source Capture®*

*800-259-2535*

*[www.HealthyAir.com](http://www.HealthyAir.com)*

# HealthyAir® Ceiling-Mount Source Capture System®

Model: HA-CMSC-G3

## Table of Contents

HealthyAir®HA-SERIES-1219 Filters	1
Important SafetyInstructions	2
TechnicalSpecifications	3
PackagingReference	4-5
Component Reference	6
Installation Instructions: HA-CMSC-G3-3	7-14, 24-29
Installation Instructions:HA-CMSC-G3-4	15-23, 24-29
ElectricalWiringInstructions	30
ElectricalWiringSchematic	31
OperationGuidelines	32-33
FilterReplacement	34-38
Maintenance	39
Basic Service andTroubleshooting	40-44
1-Year Limited WarrantyProduct	45
RegistrationForm	46

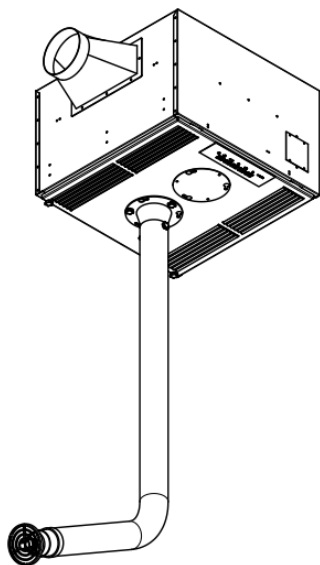
*Healthy Air Inc.*

*The Source For Source Capture®*

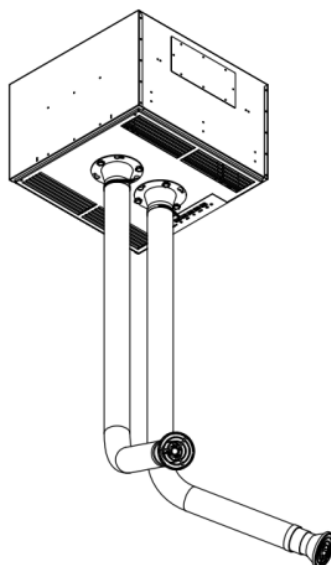
*800-259-2535*

*[www.HealthyAir.com](http://www.HealthyAir.com)*

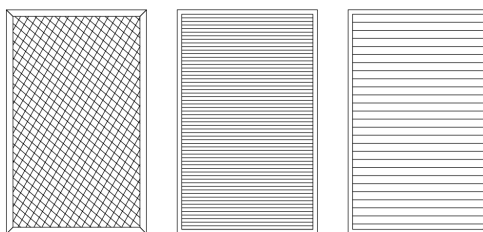
# HealthyAir® Ceiling Mount Source Capture System® Model: HA-CMSC-G3



**Outside Ventilation  
(Local Exhaust System)**



**Recirculating Ventilation  
(Air Purification System)**



**Replacement Filters: HA-SERIES-1219-CM**

*The Source For Source Capture®*

*800-259-2535*

*HealthyAir Inc.*

*www.HealthyAir.com*



**⚠ WARNING**

Cut power to the unit before servicing or replacing filters. Failure to do so could result in serious personal injury and death.

## I. Important Safety Instructions

Read the Owner's Manual and Important Safety Instructions carefully. Failure to follow these instructions could cause a malfunction of the filter or unsatisfactory performance. Follow a regular service and maintenance schedule for efficient operation.

To reduce the risk of electric shock, fires, and/or injury:

- Do not use the air purifier in wet or damp locations
- Do not use outdoors
- Do not use at ambient temperature of above 95°F/35°C
- Do not use fabrics or other material to cover the inlet and outlet of the unit
- Do not allow children to operate or play with the unit

For safety reasons and to prevent electric shock, cut power to the unit under the following conditions:

- When not in use for a long period of time
- When cleaning, servicing the machine or during replacement of filters
- When moving the air purifier

To prevent electric shock, do not dismantle, repair or modify this product. Maintenance and cleaning instructions should be followed exactly as directed in this manual. In case of malfunction, please contact an authorized distributor or Healthy Air Inc. for service instructions.

To reduce the risk of electric shock, the unit has grounding type wiring that has a third (grounding) wire. The unit must be hard wired, and all wiring must comply with applicable electrical codes and ordinances. Do not alter the wiring.

# II. Technical Specifications

Visit [www.HealthyAir.com](http://www.HealthyAir.com) and select Specifications from the menu bar to download detailed Specification Sheet, with complete product dimensions and air flow rate information.

Model Number	HA-CMSC-G3 (Note letters following Generation "GX" specify color & extraction hose options)
Rated Voltage	120V/60HZ
Power/Amperage	280W/2.75A
Weight	80 lbs.
Base Dimensions	24x24x16 in.
Flex Hose Length (Standard)	7' or 10' (Note custom length available)

**Download Specifications Sheet from  
Specifications page at [www.HealthyAir.com](http://www.HealthyAir.com)**

### III. Packaging Reference

The HealthyAir® Ceiling Mount Source Capture® Air Purification System, model HA-CMSC-G3-3-WS/WD, is packaged in two (2) boxes as follows:

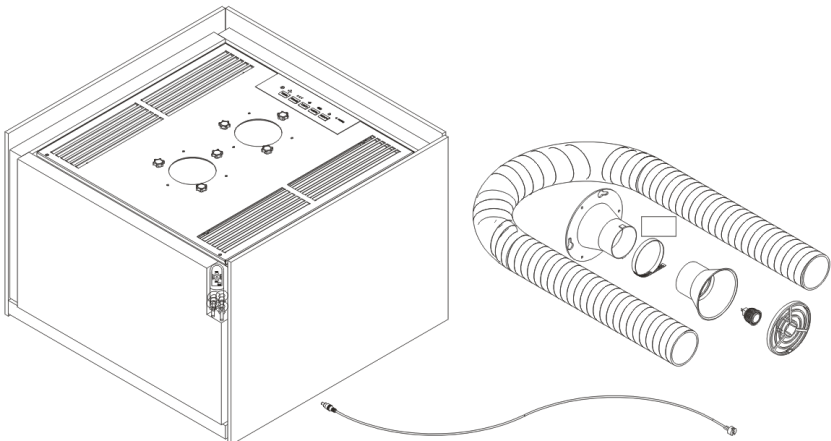
Note, in cases when multiple units are ordered, or customized orders are placed, the secondary items may be packed in additional boxes.

#### **Box 1:**

- (1) Air Purification Unit w/ (3) Series 1219-CM Filters, (4) Eye Bolts,  
(1) Remote Control, (1) Manual

#### **Box 2:**

- (1/2) Inlet Tube, (1/2) Flex Hose, (1/2) Hood, (1/2) Hose Clamp,  
(1/2) Grille w/ LED Bulb & Wiring (Optional), (2) Outlet Vent  
Cover Plates (Optional)



### III. Packaging Reference

The HealthyAir® Ceiling Mount Source Capture® Air Purification System, model HA-CMSC-G3-4-W, is packaged in three (3) boxes as follows:

#### **Box 1:**

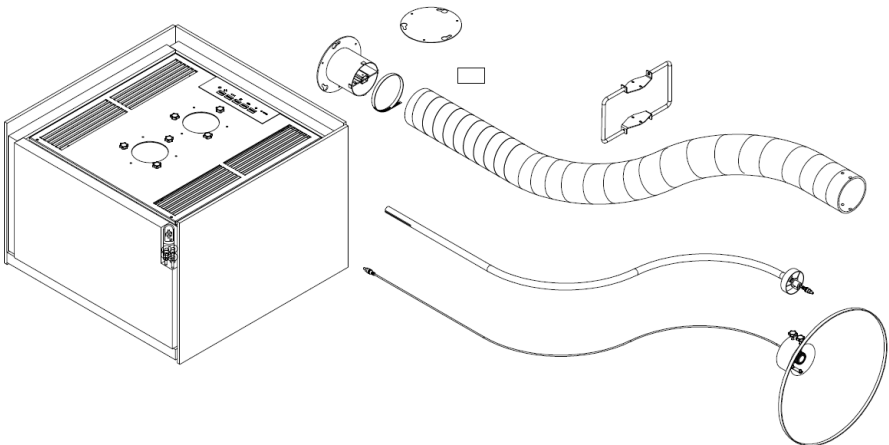
- (1) Air Purification Unit w/ (3) Series 1219-CM Filters, (4) Eye Bolts, (1) Remote Control, (1) Manual

#### **Box 2:**

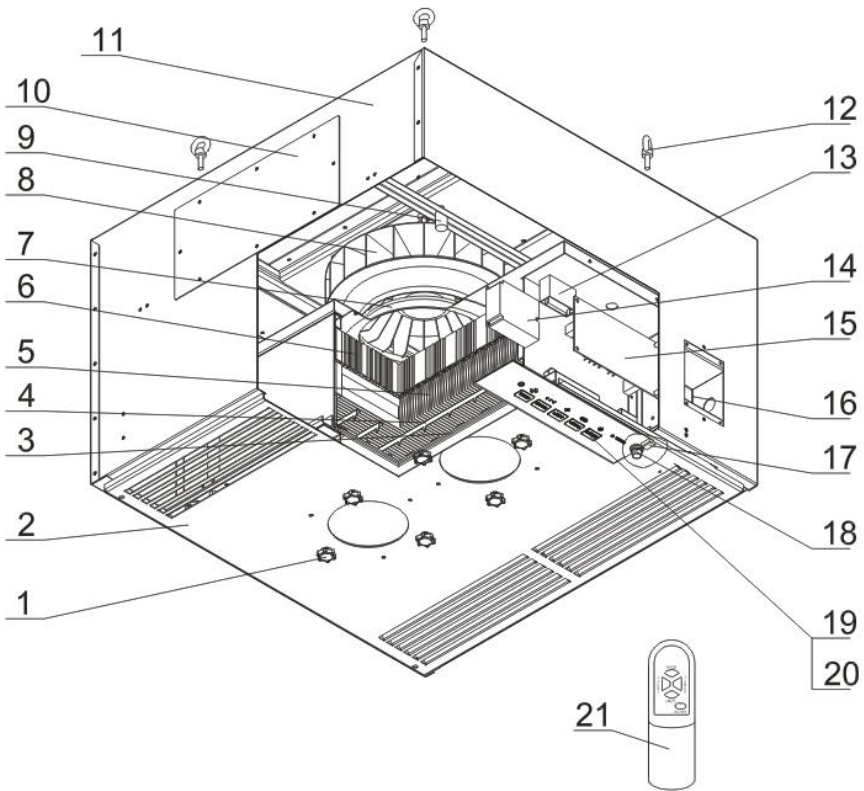
- (1) Inlet Tube, (1) Gooseneck w/ (1) Centering Piece, (1) Flex Hose w/ (1) Hose Clamp, (2) Outlet Vent Cover Plates (Optional)

#### **Box 3:**

- (1) Hood, (1) LED Bulb, (1) Handle



## IV. Component Reference



1. Thumb Screw
2. Face Plate
3. Pre-Filter
4. eGrid®
5. eHEPA® Filter
6. Activated Carbon Filter
7. Fan Coil
8. Blower/Motor
9. HV Contact Spring
10. Outside Vent Outlet Port
11. Main Box

12. Eye Bolt
13. Capacitor
14. HV PCB
15. PCB Board
16. Wiring Box
17. Safety Switch
18. Fuse
19. Control Panel
20. Control Panel Display
21. Remote Control



# V. Installation Instructions

## HA-CMSC-G3-3-WS/WD

### 5.1 Install Eye Bolts

5.1.1 Carefully place the unit face down, as shown in Fig. 1.

5.1.2 Screw the four (4) Eye Bolts into the respective rivet nuts, located at the four corners of the Bottom Plate.

5.1.3 Ensure that each Eye Bolt is fully and securely installed.

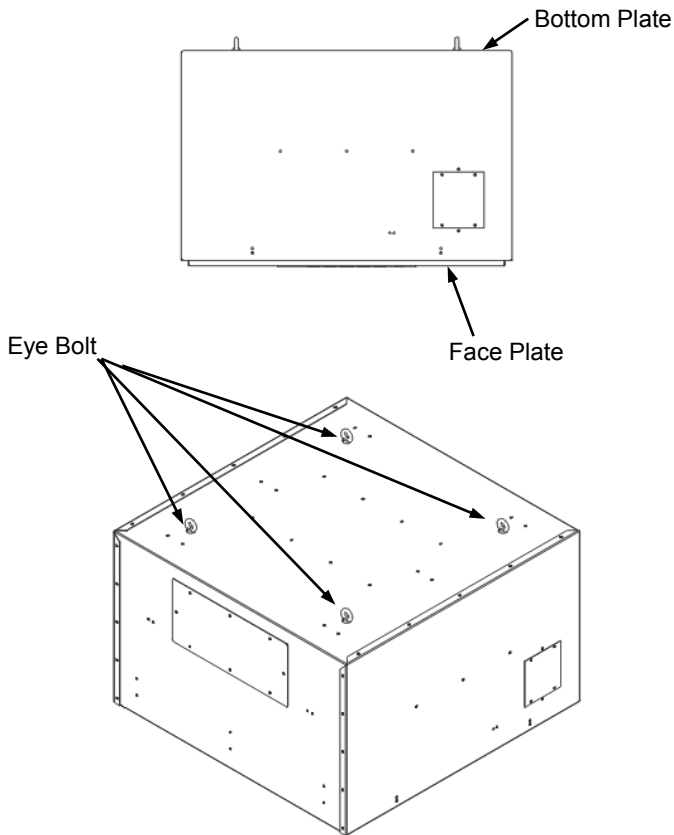


Fig. (1) – Installing Eye Bolts

# V. Installation Instructions

## HA-CMSC-G3-3-WS/WD

### 5.2 Optimal Unit Location

For optimal performance, the HealthyAir® Ceiling Mount Source Capture® Air Purification System should be located such that the Hood can be strategically positioned about 6” from the source of contaminants.

The unit should also be installed where it can be easily accessed and opened for periodic filter replacement. Refer to Section 9.2 for filter replacement details.

- 5.2.1 The unit is designed to be installed in place of a standard 2'x2' ceiling tile, and it must be securely attached to the building structure for adequate support.
- 5.2.2 Depending on the type of building structure, and whether the ceiling has I-Beam or concrete construction, follow the appropriate protocol for proper installation and support of the unit.

### 5.3 Mount to I-Beam Ceiling Structure

Using Fig. 2 as a guide, install the HealthyAir® Ceiling Mount Source Capture® Air Purification System in accordance with all applicable building and mechanical codes.

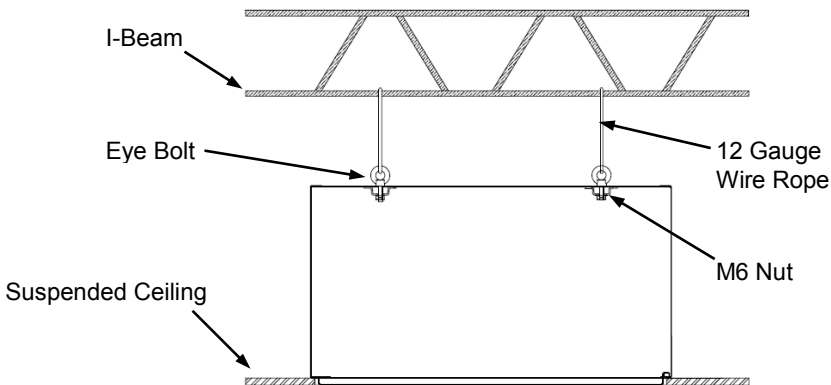


Fig. (2) – Mounting Unit to I-Beam Ceiling

# V. Installation Instructions

## HA-CMSC-G3-3-WS/WD

### 5.4 Mount to Concrete Ceiling Structure

Using Fig. 3 as a guide, install the HealthyAir® Ceiling Mount Source Capture® Air Purification System in accordance with all applicable building and mechanical codes.

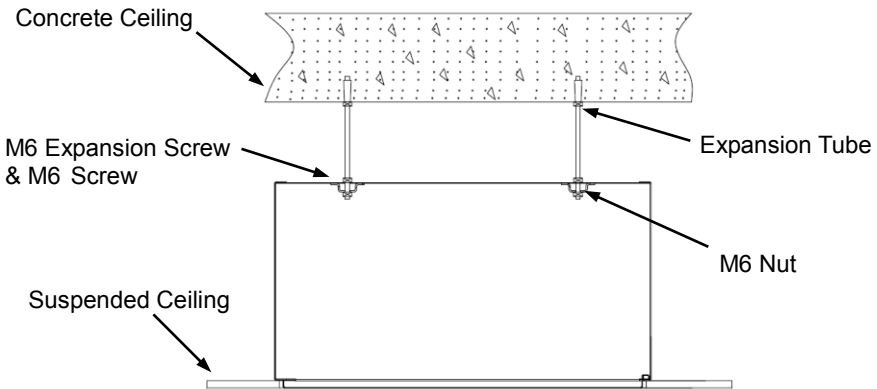


Fig. (3) – Mounting Unit to Concrete Ceiling

# V. Installation Instructions

## HA-CMSC-G3-3-WS/WD

### 5.5 Install Inlet Tube

The Face Plate of the unit has two (2) 4" Ø Inlet Ports. One of the Inlets Ports may be sealed with an Inlet Port Cover Plate, while the other is uncovered.

Note that, for Single Inlet operation, either Inlet Port can be used depending on the preferred arrangement. For Dual Inlet operation, remove the Inlet Port Cover Plate to use both Inlet Ports.

- 5.5.1 Unscrew and remove the three (3) Thumb Screws that are pre-mounted around the uncovered 4" Ø Inlet Port on the Face Plate, as shown in Fig. 4.

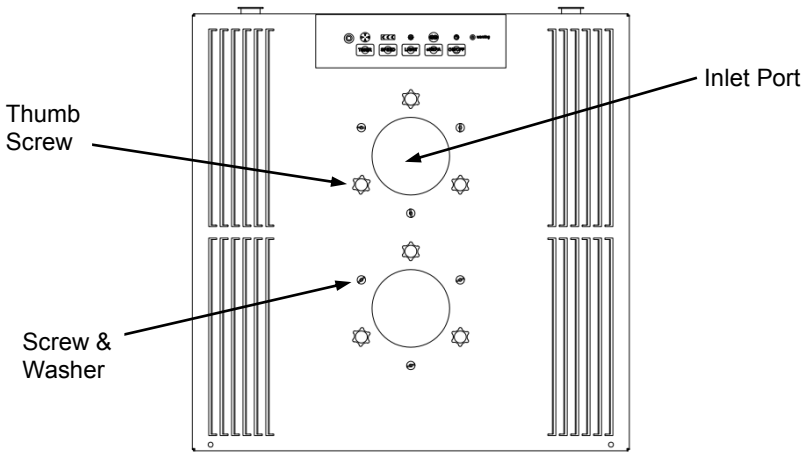


Fig. (4) – Face Plate with Inlet Port

- 5.5.2 To wire the optional LED Lighting, reach into the Inlet Port and carefully pull the LED Cable Socket out from within the unit. Note that, the Face Plate may need to be opened to access the LED Cable Socket if it cannot be easily reached.

# V. Installation Instructions

## HA-CMSC-G3-3-WS/WD

### 5.5 Install Inlet Tube

- 5.5.3 With the Inlet Tube positioned near, and aligned with, the Inlet Port, pass the LED Cable Socket through the Inlet Tube.
- 5.5.4 The flange of the Inlet Tube has a three-hole cutout pattern, as shown in Fig. 5. Align the cutouts on the flange with the three (3) Screw and Washers that are pre-installed around the Inlet Port. Then press the Inlet Tube flush against the Face Plate and rotate the Inlet Tube counterclockwise to lock it in place.
- 5.5.5 Secure the Inlet Tube to the Face Plate by reinstalling and screwing in the (3) Thumb Screws.

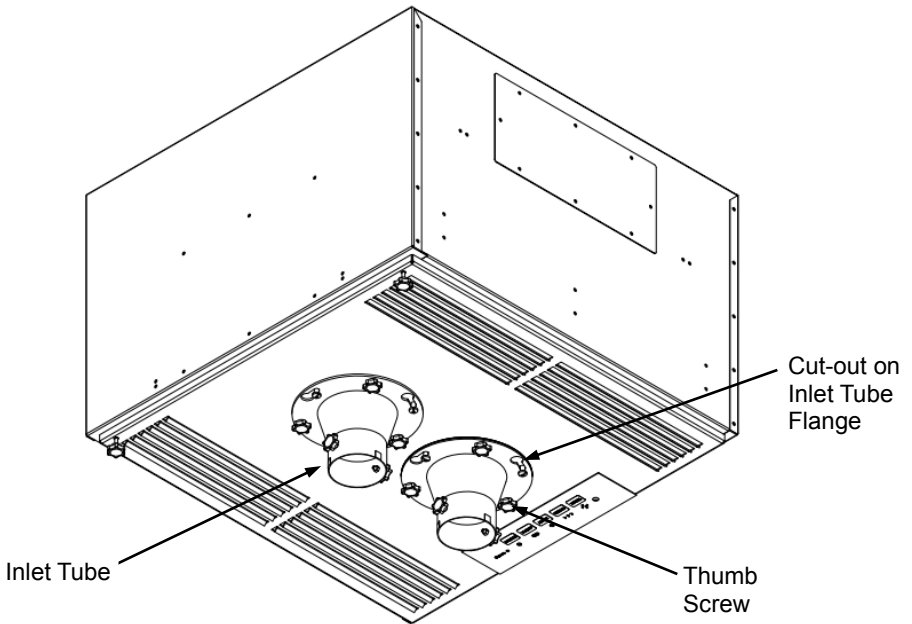


Fig. (5) – Installing Inlet Tube on Face Plate

# V. Installation Instructions

## HA-CMSC-G3-3-WS/WD

### 5.6 Install Flex Hose

The Flex Hose is constructed of interlocking bands that enable its length and shape to be adjusted. Note that, the Flex Hose will unravel if it is lengthened or bent past its tolerance point. The diameter of the Flex Hose can be also adjusted by rotating sections of the hose counterclockwise.

Note, if the LED Lighting option was selected, proceed to complete the instructions in Section 5.7 prior to doing the following.

- 5.6.1 Remove the two (2) Thumb Screws that are installed on the Inlet Tube, as shown in Fig. 6.

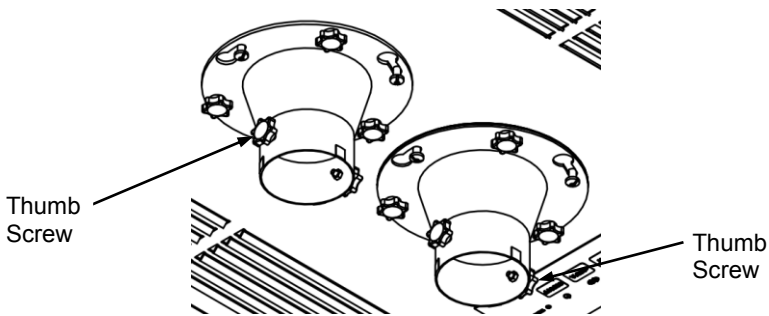


Fig. (6) –Inlet Tube with Thumb Screws

- 5.6.2 Note that, there are two (2) Screw Holes at the base of the Flex Hose that match the two (2) Screw Holes in the Inlet Tube.
- 5.6.3 Slide the end of the Flex Hose over the Inlet Tube and align the two (2) Screw Holes in the Flex hose with the two (2) Screw Holes in the Inlet Tube, as shown in Fig. 7.
- 5.6.4 Reinstall the two (2) Thumb Screws, such that they pass through the Screw Holes, to secure the Flex Hose to the Inlet Tube.
- 5.6.5 Position the Hose Clamp directly beneath the Thumb Screws on the Flex Hose and screw the hex nut to tighten the Hose Clamp.

# V. Installation Instructions

## HA-CMSC-G3-3-WS/WD

### 5.6 Install Flex Hose

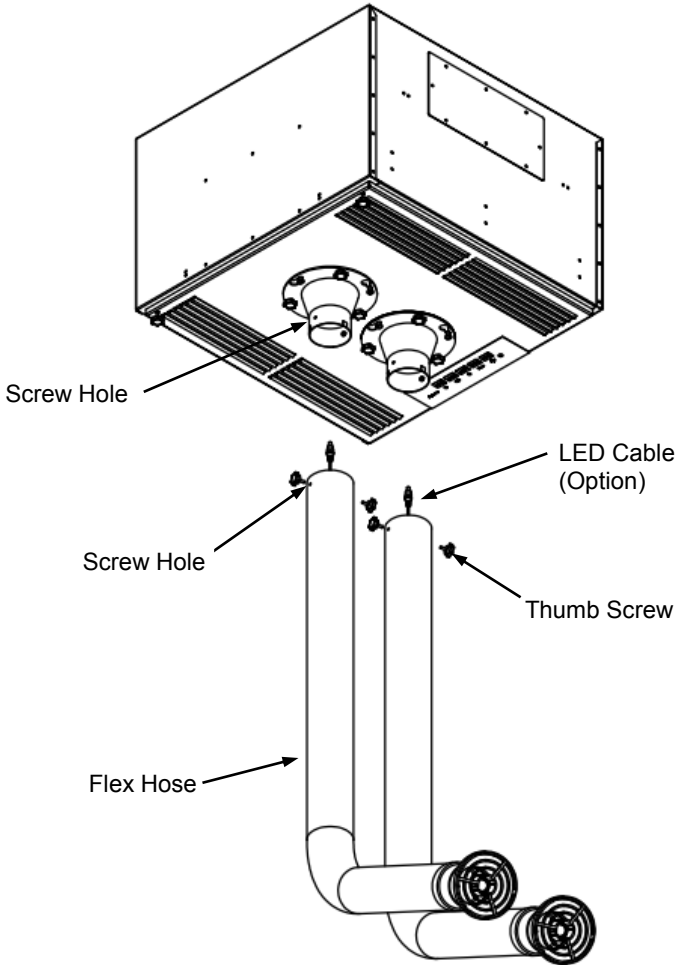


Fig. (7) –Installing Flex Hose on Inlet Tube

## V. Installation Instructions

### HA-CMSC-G3-3-WS/WD

#### 5.7 Install LED Lighting (Optional Feature)

Note that, the LED Lighting system is an optional feature. To add this feature visit [www.HealthyAir.com](http://www.HealthyAir.com) and contact Healthy Air Inc.

- 5.7.1 Mount the LED Light Bulb on the Grill, by inserting the lip of the bulb into the 4-piece cylinder located in the center of the Grill.
- 5.7.2 Connect the LED Cable to the LED Light Bulb, by sliding the two (2) prongs of the bulb into the G4 Bulb Mount.
- 5.7.3 Pass the LED Cable through the Hood and entire length of the Flex Hose, such that the LED Cable Plug passes through the bottom of the Flex Hose.
- 5.7.4 Connect the Grill to the Hood by snapping the Grill onto the rim of the Hood, as shown in Fig. 8.
- 5.7.5 Connect the LED Cable Plug to the LED Cable Socket, of the LED Cable that is preinstalled in the unit, and Inlet Port.

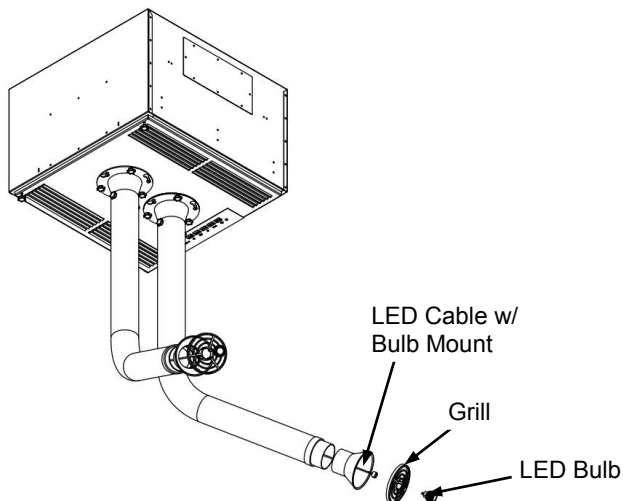


Fig. (8) – Installing LED



# V. Installation Instructions

## HA-CMSC-G3-4-W

### 5.8 Install Eye Bolts

5.8.1 Carefully place the unit face down, as shown in Fig. 9.

5.8.2 Screw the four (4) Eye Bolts into the respective rivet nuts, located at the four corners of the Bottom Plate.

5.8.3 Ensure that each Eye Bolt is fully and securely installed.

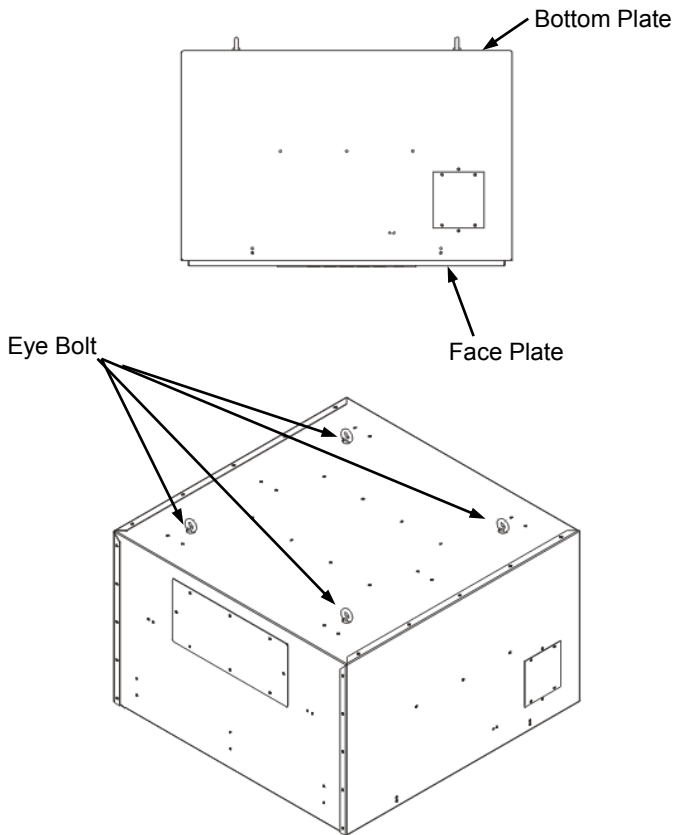


Fig. (9) – Installation of Eye Bolts

## V. Installation Instructions

### HA-CMSC-G3-4-W

#### 5.9 Optimal Unit Location

For optimal performance, the HealthyAir® Ceiling Mount Source Capture® Air Purification System should be located such that the Hood can be strategically positioned 6-12" from the source of contaminants.

The unit should also be installed where it can be easily accessed and opened for periodic filter replacement. Refer to Section 9.2 for details.

- 5.9.1 The unit is designed to be installed in place of a standard 2'x2' ceiling tile, and it must be securely attached to the building structure for adequate support.
- 5.9.2 Depending on the type of building structure, whether the ceiling has an I-Beam or concrete construction, follow the appropriate protocol for proper installation and support of the unit.

#### 5.10 Mount Unit to I-Beam Ceiling Structure

Using Fig. 10 as a guide, install the HealthyAir® Ceiling Mount Source Capture® Air Purification System in accordance with all applicable building and mechanical codes.

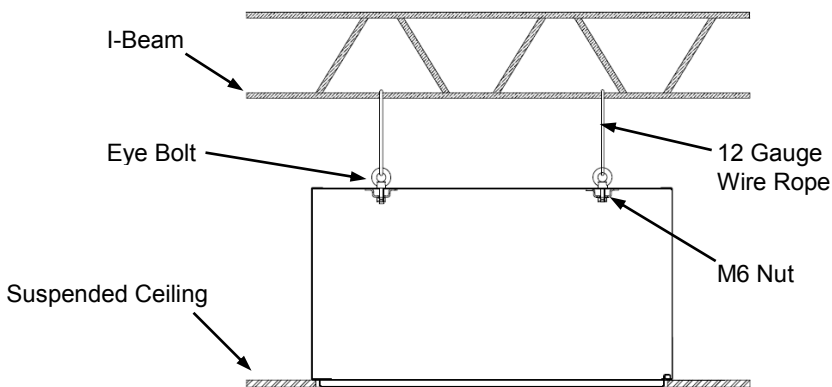


Fig. (10) – Mounting Unit to I-Beam Ceiling

# V. Installation Instructions

## HA-CMSC-G3-4-WS

### 5.11 Mount Unit to Concrete Ceiling Structure

Using Fig. 11 as a guide, install the HealthyAir® Ceiling Mount Source Capture® Air Purification System in accordance with all applicable building and mechanical codes.

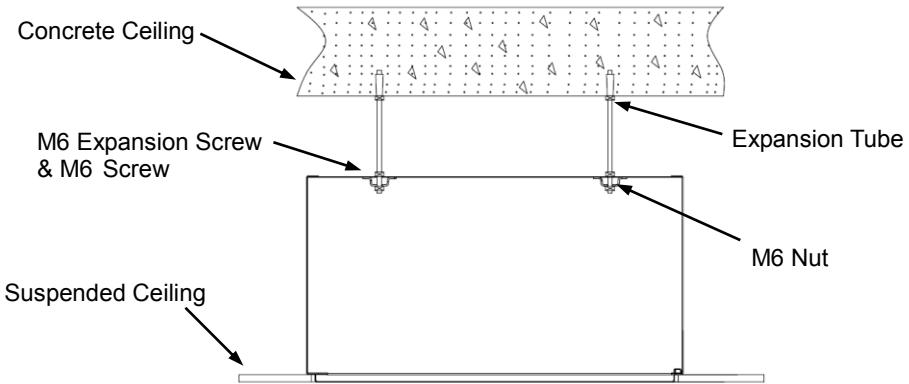


Fig. (11) – Mounting Unit to Concrete Ceiling

# V. Installation Instructions

## HA-CMSC-G3-4-W

### 5.12 Assemble Inlet Tube and Gooseneck

Note that, the Inlet Tube and Gooseneck are typically shipped preassembled. If that is the case, the following two sections may be bypassed, and the installation process will continue at Section 5.14. However, if these items need to be assembled, or reassembled at any point, then proceed as follows:

- 5.12.1 Install the 3.5" Ø Centering Piece on the threaded end of the Gooseneck and secure it in place by screwing on the M16 Hex Nut, as shown in Fig. 12.
- 5.12.2 Remove the Thumb Screw that is preinstalled within the base of the Inlet Tube.
- 5.12.3 Slide the split end of the Gooseneck into the square channel located in the center of the Inlet Tube. Ensuring that the Gooseneck is inserted all the way, such that the screw hole in the Gooseneck aligns with the screw hole in the Inlet Tube.
- 5.12.4 Reinstall and screw in the Thumb Screw, to secure the Gooseneck to the Inlet Tube, as shown in Fig. 12.

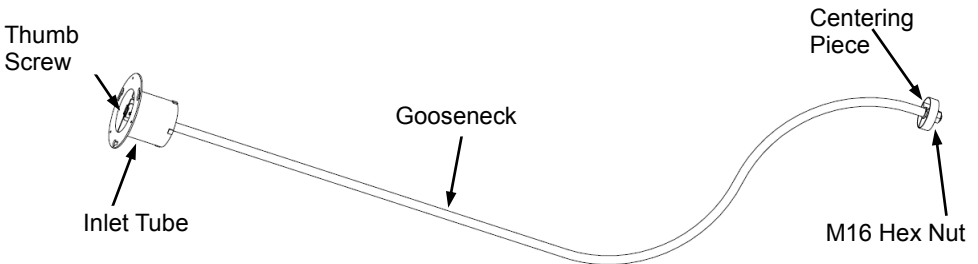


Fig. (12) – Assembling Inlet Tube and Gooseneck

## V. Installation Instructions

### HA-CMSC-G3-4-W

#### 5.13 Assemble Inlet Tube and Flex Hose

The Flex Hose is constructed of interlocking bands that enable its length and shape to be adjusted. Note that, the Flex Hose will unravel if it is lengthened or bent past its tolerance point. The diameter of the Flex Hose can be also adjusted by rotating sections of the hose counterclockwise.

- 5.13.1 Install the Flex Hose on the Inlet Tube by sliding the end of the Flex Hose over the Inlet Tube, as shown in Fig. 13. Note that, if the diameter of the Flex Hose needs to be increased to fit over the Inlet Tube, rotate the end of the Flex Hose counterclockwise.
- 5.13.2 Hold the end of the Flex Hose over the Inlet Tube and rotate it clockwise, to reduce its diameter and tightly fit it to the diameter of the Inlet Tube.
- 5.13.3 Position the Hose Clamp at the base of the Flex Hose and screw the hex nut to tighten the Hose Clamp and secure the Flex Hose on the Inlet Tube.

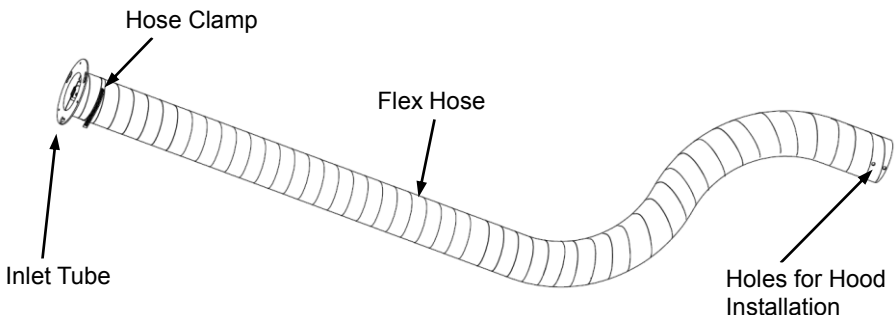


Fig. (13) – Assembling Inlet Tube and Flex Hose

## V. Installation Instructions

### HA-CMSC-G3-4-W

#### 5.14 Install Hood and Handle

Note that, there are two (2) holes on each side of the Flex Hose that are used to install the Handle and Hood Assembly, as shown in Fig. 14.

- 5.14.1 Unscrew and remove the four (4) Thumb Screws from the Hood, as shown in Fig. 14.
- 5.14.2 Position the Handle over the end of the Flex Hose, such that the holes on each side of the Handle Mount align with the holes on each side of the Flex Hose.
- 5.14.3 Insert the base of the Hood into the Flex Hose. Once the Hood is set into the Flex Hose, adjust the Hood until the four (4) holes of the Hood, Flex Hose and Handle are all aligned.
- 5.14.4 Insert and screw in the four (4) Thumb Screws, to secure the Hood, Flex Hose and Handle Assembly. Partially screw in each of the four Thumb Screws to ensure proper alignment, before screwing each in all the way.
- 5.14.5 Install the LED Bulb in the LED Mount, located within the Hood.

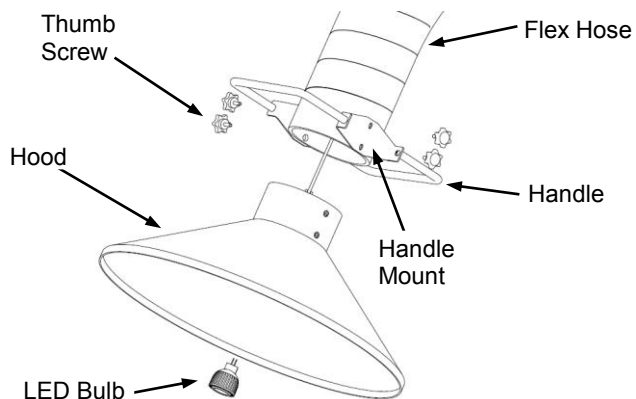


Fig. (14) – Assembling Hood and Flex Hose

# V. Installation Instructions

## HA-CMSC-G3-4-W

### 5.15 Configure and Prepare Face Plate

The Face Plate of the unit has two (2) 4" Ø Inlet Ports. One of the Inlets Ports is uncovered, while the other is sealed with an Inlet Port Cover Plate. Note that, either Inlet Port can be used depending on the preferred arrangement.

5.15.1 Unscrew and remove the three (3) Thumb Screws that are pre-mounted around the uncovered 4" Ø Inlet Port on the Face Plate, as shown in Fig. 15.

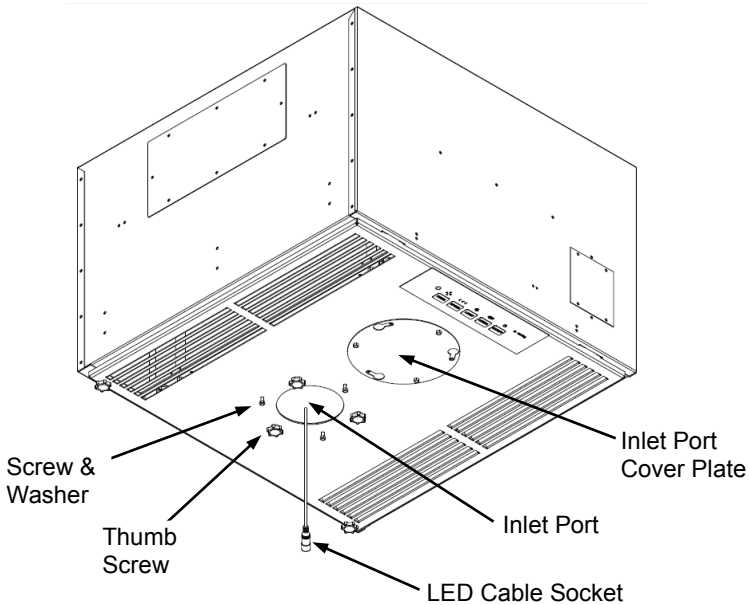


Fig. (15) – Face Plate with Inlet Port

5.15.2 Reach into the Inlet Port and carefully pull the LED Cable Socket out from within the unit, as shown in Fig. 15. Note that, the Face Plate may need to be opened to access the LED Cable Socket if the LED Cable Socket cannot be easily reached.

# V. Installation Instructions

## HA-CMSC-G3-4-W

### 5.16 Install Extraction Hose Assembly

5.16.1 Pass the LED Cable through the entire length of the Flex Hose, such that the LED Cable Plug comes out of the end of the Flex Hose, as shown in Fig. 16.

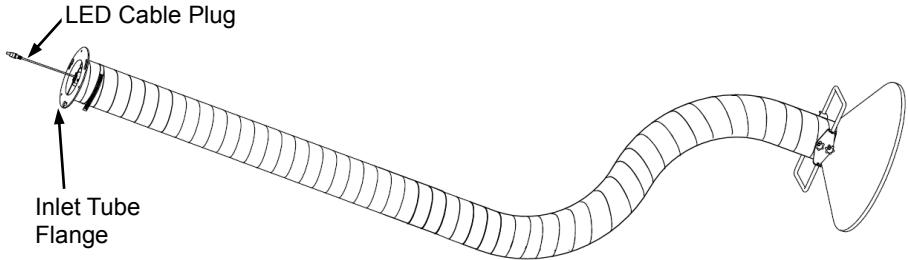


Fig. (16) – Assembling Extraction Hose

5.16.2 Align the three-hole Cut-Out pattern on the Inlet Tube Flange with the three Screw and Washers that are located around the Inlet Port, as shown in Fig. 17.

5.16.3 Press the Inlet Tube flush against the Face Plate and rotate the Inlet Tube counterclockwise to fix it in place.

5.16.4 Screw the three (3) Thumb Screws back into the Face Plate to secure the Inlet Tube to the Face Plate, as shown in Fig. 17.

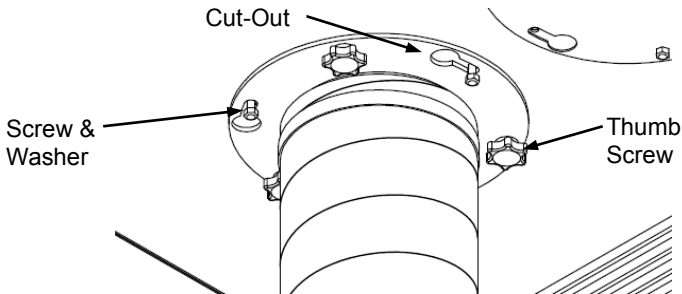


Fig. (17) – Connecting Inlet Tube and Face Plate



# V. Installation Instructions

## HA-CMSC-G3-4-W

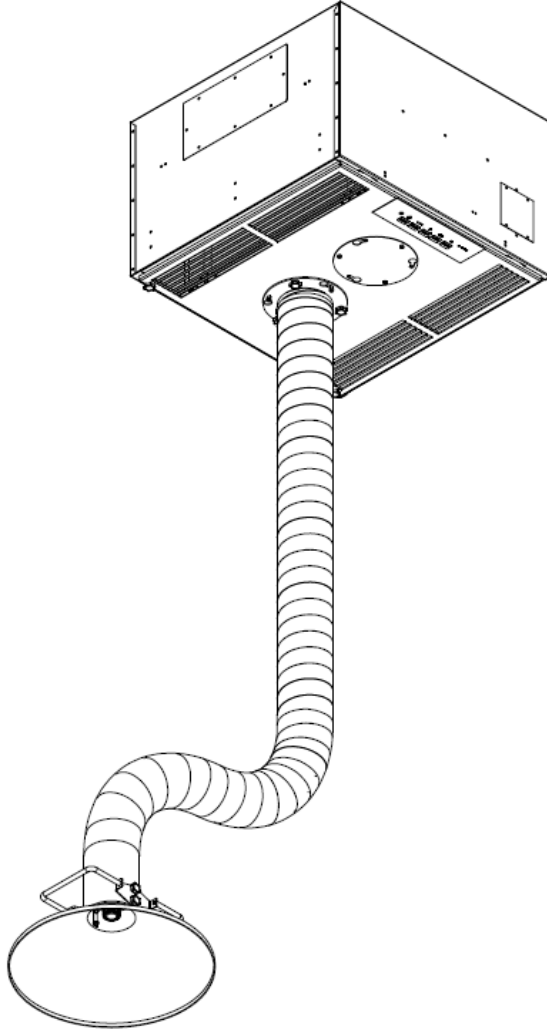


Fig. (18) – Fully Assembled Unit

## V. Installation Instructions

### HA-CMSC-G3-3-WS/WD & HA-CMSC-G3-4-W

#### 5.17 Outside Vent Application

The HealthyAir® Ceiling Mount Source Capture® Air Purification Outside Vent System, model HA-CMSC-G2-OV, is designed to enable filtered air to be discharged from the facility via exhaust ducting.

The unit is equipped with two (2) 4"x10" Outside Vent Outlet Ports and (2) Outlet Port Cover Plates, that allow the exhaust duct to either be connected to the right or left side of the unit depending on which configuration is preferred.

5.17.1 Determine the ideal exhaust duct configuration given the arrangement of the facility.

5.17.2 Remove the Outlet Port Cover Plate, from the corresponding Outside Vent Outlet Port, by unscrewing the screws, as shown in Fig. 19.

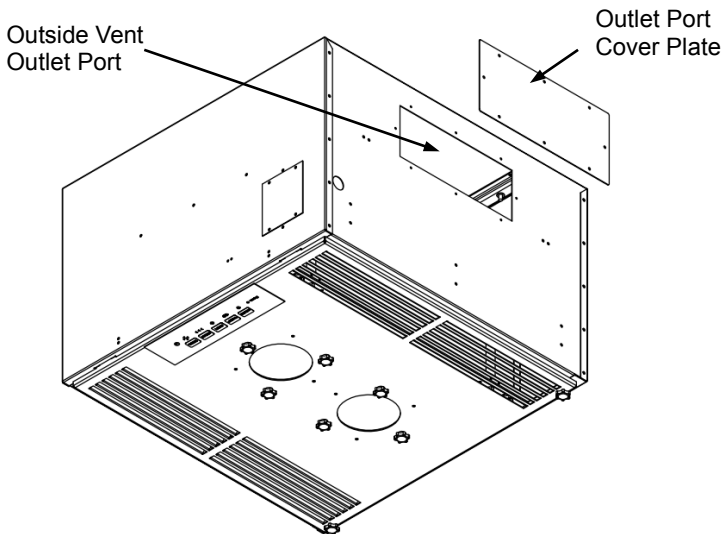


Fig. (19) – Outside Vent Outlet Port and Cover Plate

## V. Installation Instructions

### HA-CMSC-G3-3-WS/WD & HA-CMSC-G3-4-W

#### 5.18 Outside Vent Application

5.17.3 Install the HealthyAir® Ceiling Mount Source Capture® Air Purification Outside Vent System in accordance with the instructions provided in Sections 5.1-5.4 herein.

5.17.4 Connect a universal 4"x10" to 6" Ø Transition (not supplied) to the Outside Vent Outlet Port and ensure that the junction is secure.

5.17.5 Connect a 6" Ø Exhaust Duct (not supplied) to the Transition and ensure that the junction is secure.

5.17.6 Run the Exhaust Duct out of the facility per applicable IMC codes.

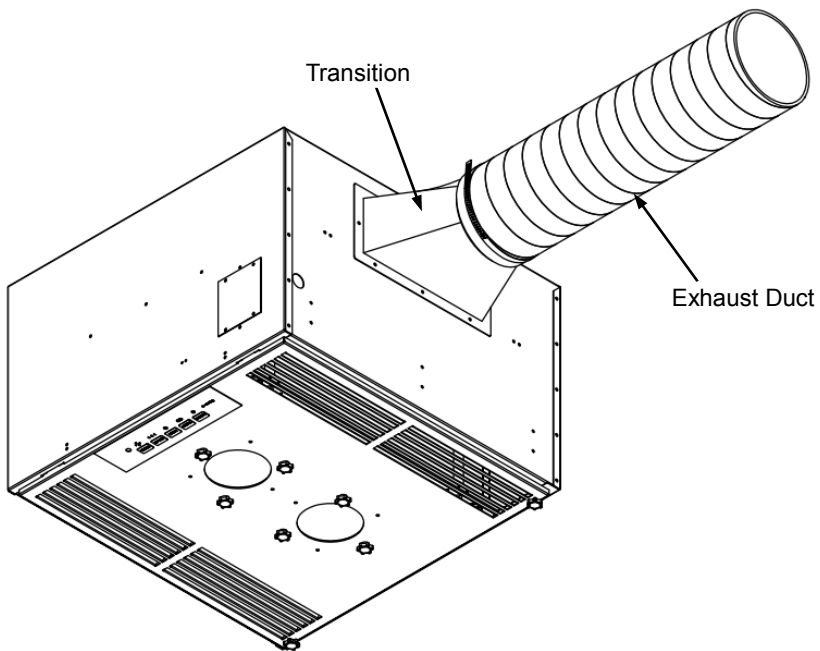


Fig. (20) – Outside Vent Ducting

## V. Installation Instructions

### HA-CMSC-G3-3-WS/WD & HA-CMSC-G3-4-W

#### 5.18 Converting Recirculating Vent to Outside Vent (Optional)

The HealthyAir® Ceiling Mount Source Capture Air Purification Recirculating Vent System can be converted to a HealthyAir® Ceiling Mount Source Capture Air Purification Outside Vent System by installing Outlet Vent Cover Plates on the back of the Face Plate.

Conversely, the HealthyAir® Ceiling Mount Source Capture Air Purification Outside Vent System can be converted to a HealthyAir® Ceiling Mount Source Capture Air Purification Recirculating Vent System by removing Outlet Vent Cover Plates from the back of the Face Plate.

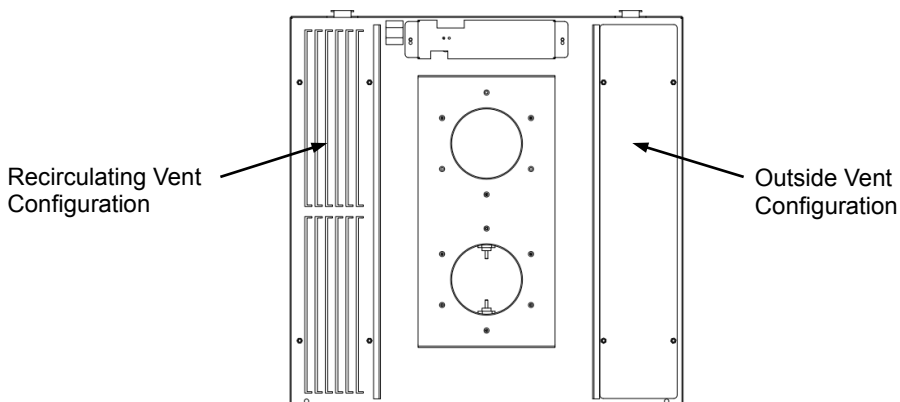


Fig. (21) – Recirculating and Outside Vent Face Plates

- 5.18.1 Unscrew and remove the two (2) Thumb Screws at the base of the Face Plate, as shown in Fig. 22.
- 5.18.2 Open the Face Plate and swing it open about 90° to access the back side of the Face Plate, as shown in Fig. 22.
- 5.18.3 There are two (2) Outlet Vents on the Face Plate. On the back side of the Face Plate, each Outlet Vent has four (4) Threaded Studs. Locate the eight (8) Threaded Studs on the back of the Face Plate, as shown in Fig. 23.

# V. Installation Instructions

## 5.19 Converting Recirculating Vent to Outside Vent (Optional)

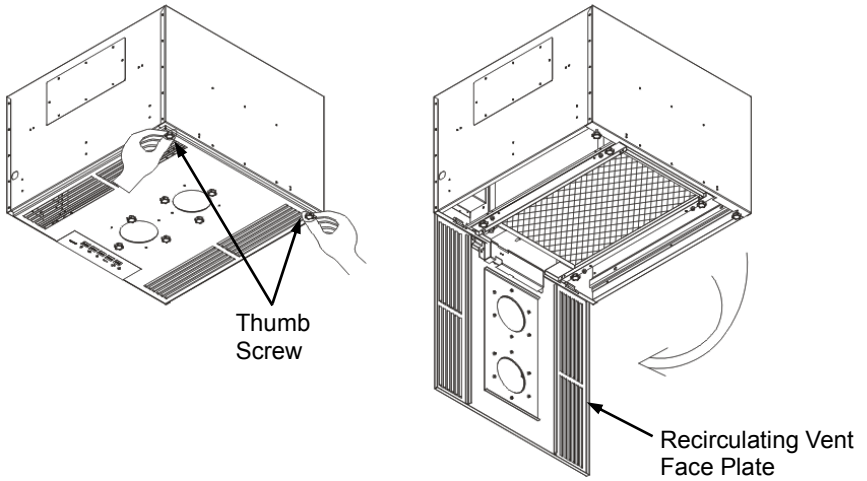


Fig. (22) – Opening Face Plate

5.18.4 Locate and remove the eight (8) Hex Nuts that are preinstalled on the back of the Face Plate, as shown in Fig. 23.

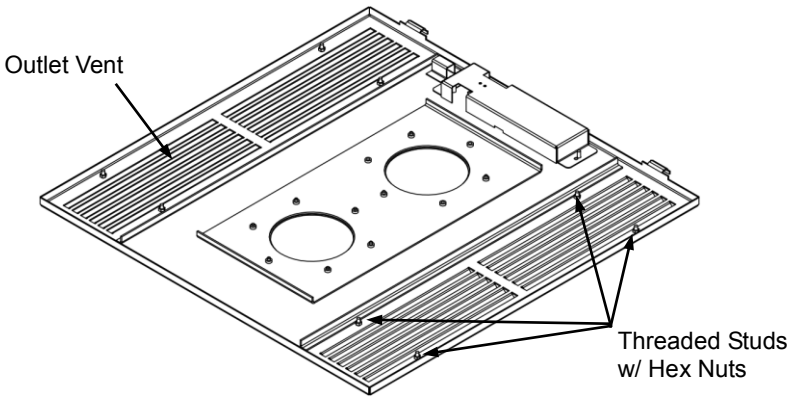


Fig. (23) – Back Side of Face Plate

## V. Installation Instructions

### 5.19 Converting Recirculating Unit to Outside Vent (Optional)

5.18.5 Locate the two (2) Outlet Vent Cover Plates, shown in Fig. 24.

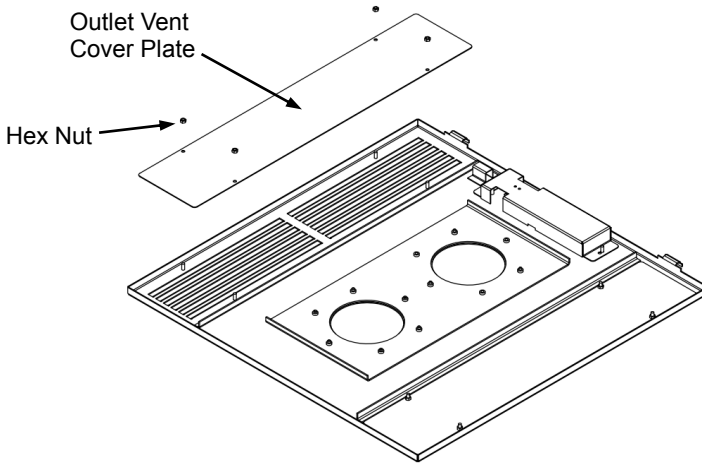


Fig. (24) –Outlet Vent Cover Plates

5.18.6 Install the Outlet Vent Cover Plates one the Face Plate Outlet Vents, as shown in Figs. 24 and 25.

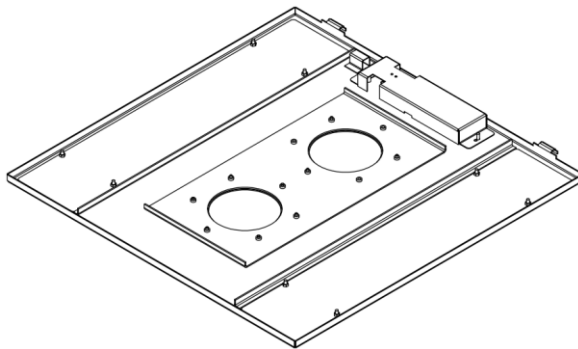


Fig. (25) – Installing Outlet Vent Cover Plates on Face Plate

## V. Installation Instructions

### 5.19 Converting Recirculating Unit to Outside Vent (Optional)

5.18.7 Reinstall the eight (8) Hex Nuts to secure the Outlet Vent Cover Plates on the Face Plate.

5.18.8 Close the Face Plate and reinstall the two (2) Thumb Screws, as shown in Fig. 26.

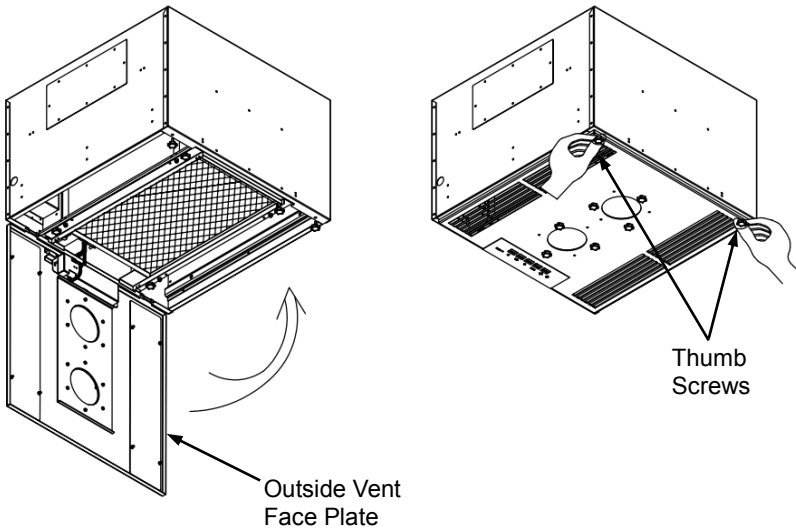


Fig. (26) – Securing Outside Vent Face Plate

## VI. Electrical Wiring Instructions

**Note:** The HealthyAir® Ceiling Mount Source Capture® Air Purification system must be hard wired when recess mounted. All wiring must comply with applicable electrical codes and ordinances.

### 6.1 Hard Wire 120V AC, 60 Hz

- 6.1.1 Install a 15 Amp external circuit breaker to bring power to the unit.
- 6.1.2 Run three (3) No. 14 Color-Coded Wires through the conduit to the Wiring Box of the unit, as shown in Fig. 27.
- 6.1.3 Attach the Green wire to the external Ground. Note that, the Black wire and White wire are the power carries.
- 6.1.4 Attach the conduit to the knockout.
- 6.1.5 Attach the Green ground wire to the ground screw and to the terminal marked G in the Wiring Box. Ground the unit for proper operation and safety.
- 6.1.6 Attach the Black wire to the terminal marked L and the White wire to the terminal marked N in the Wiring Box, as shown in Fig. 27.

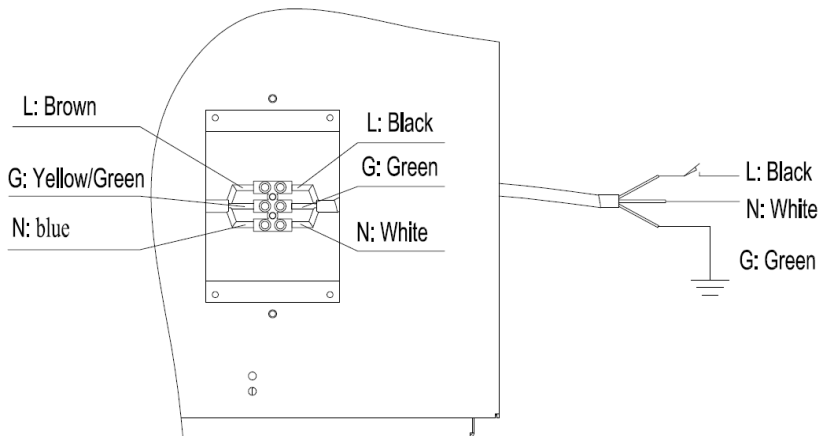


Fig. (27) – Electrical Wiring Diagram



# VII. Electrical Wiring Schematic

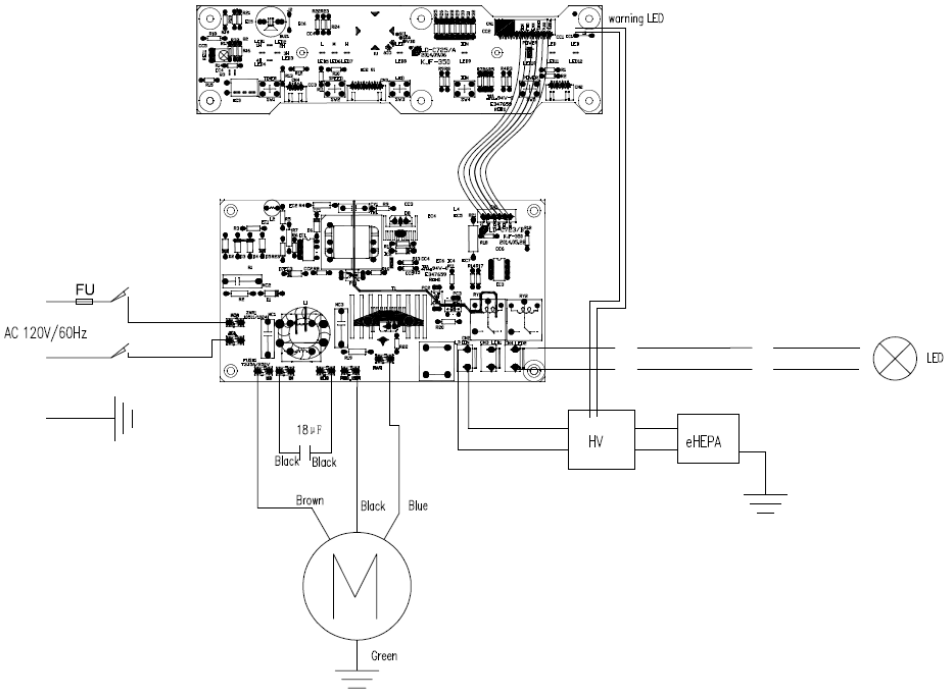


Fig. (28) – Electrical Wiring Schematic

## VIII. Operation Guidelines

### 8.1 Power Supply and Activation

The input power to the unit should include an external circuit breaker with a minimum 15 Amp current rating.

- 8.1.1 Provide power to the unit by turning the circuit breaker to the ON position.

Once the circuit breaker is on, the Power indicator light [  ], on the Control Panel, will turn on and display a red light.

- 8.1.2 Activate the unit by pressing the Power button located on the Control Panel, shown in Fig. 29, or on the Remote Control.

Once the unit is powered, the motor will start with the Fan Speed set to the Mid-Speed and the eHEPA® indicator will light up and display a green light, which indicates that the eHEPA® system is activate.

### 8.2 System Controls

Each of the respective control elements shown on the Control Panel Display in Fig. 29 work as follows:

- **SPEED** button, on the Control Panel and Remote Control, adjusts the volume of airflow being taken in through the hood. Airflow speed can be adjusted to one of three settings: Low – Mid – High Speed.
- **eHEPA** button, on the Control Panel and Remote Control, turns the eGrid on and off. When the eGrid is powered the symbol above the eHEPA button, as well as the eGrid Active light, will turn green. Pressing the eHEPA button once more will shut off the eGrid and turn off the indicator light.
- **TIMER** button, on the Control Panel and Remote Control, is for operation of the timing clock. When this feature is in use the unit will automatically shut off after the set time expires. The system's default timing is 4 hours of operation.

# VIII. Operation Guidelines

## 8.2 System Controls

- **TIMER**

To set the timer manually, press the TIMER button once for every hour you wish to run the machine (i.e. press TIMER once for 1-hour of run time, press TIMER twice for 2-hours of run time, press TIMER three times for 3-hours of run time, and press TIMER four times for 4-hours of run time).

If the TIMER button is pressed five (5) times, such that it passes through the complete timing schedule, it will run continuously until the unit is manually turned off.

- **eGrid Active** indicator light, on the Control Panel, indicates the status of the eHEPA® and eGrid system. When the eGrid Active indicator light is on, while the eHEPA button is on, the eGrid is functioning properly. If the eGrid Active indicator light is off, while the eHEPA button is on, it signals that the eGrid is malfunctioning and the unit requires service.
- **LIGHT** button, on the Control Panel and Remote Control, is inactive.

Note that, LED lighting is an optional feature on HealthyAir® Ceiling Mount Source Capture® Air Purification Systems.



Fig. (29) - Control Panel Display

# IX. Filter Replacement

## 9.1 Replacement Filters

The HealthyAir® Ceiling Mount Source Capture® Air Purification System (HA-CMSC-G3) utilizes the **HA-SERIES-1219-CM** or **HA-SERIES-1219 Replacement Filters**, as follows:

- **HealthyAir® Pre-Filter**  
Model No. HA-PF-1219
- **HealthyAir® eHEPA® Filter**  
Model No. HA-EH-1219
- **HealthyAir® Activated Carbon Filter**  
Model No. HA-CC-1219 or HA-AC-1219

Note that, only manufacturer supplied HealthyAir® Replacement Filters are compatible with HealthyAir® Ceiling Mount Source Capture® Air Purification Systems. No other replacement filters are to be used with this unit. The improper use of non-manufacturer supplied filters will void any potential warranty claim.

## 9.2 Filter Change

When the unit has been in operation for 400-hours, the Filter Change indicator light, on the Control Panel, will begin to flash indicating that the filters must be replaced, as follows:

**Note:** Depending on usage and contaminants in the environment, the filter may need to be replaced before the 400-hour default cycle expires. Contact a representative to determine if you need to replace the filter more frequently.

- 9.2.1 Turn the unit Power Off and cut the power supply to the unit by setting the external circuit breaker to the Off position.
- 9.2.2 Unscrew and remove the two (2) Thumb Screws on the Face Plate, to allow the Face Plate to swing open, as shown in shown in Fig. 30.

**Caution:** Take care when opening the Face Plate to ensure that the hinge remains engaged, so that the Face Plates does not fall off.

# IX. Filter Replacement

## 9.2 Filter Change

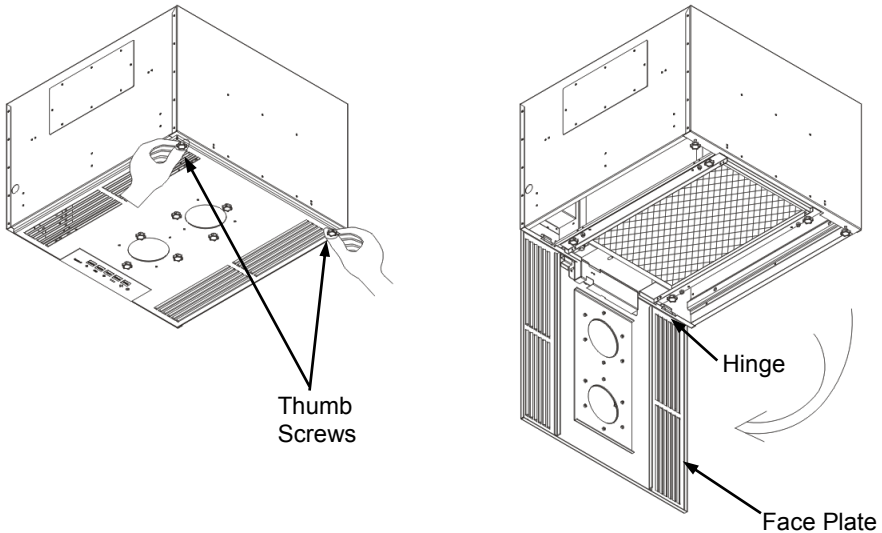


Fig. (30) – Opening Face Plate to Access Filters

- 9.2.3 Unscrew and remove the four (4) Thumb Screws, which secure the Filter Housing, as shown in Fig. 31.
- 9.2.4 Gently pull the Filter Housing straight down, to access the filters. The Filter Housing slides down a track comprised of four rods. Ensure that the Filter Housing is evenly pulled down, as shown in Fig. 31.
- 9.2.5 Remove the used Pre-Filter, eHEPA® Filter, and Activated Carbon Filter from the Filter Housing.

**Caution:** The HV Contact Spring may store a slight charge even after the unit is powered off. Avoid direct contact with the HV Contact Spring after the filters have been removed from the Filter Housing.

# IX. Filter Replacement

## 9.2 Filter Change

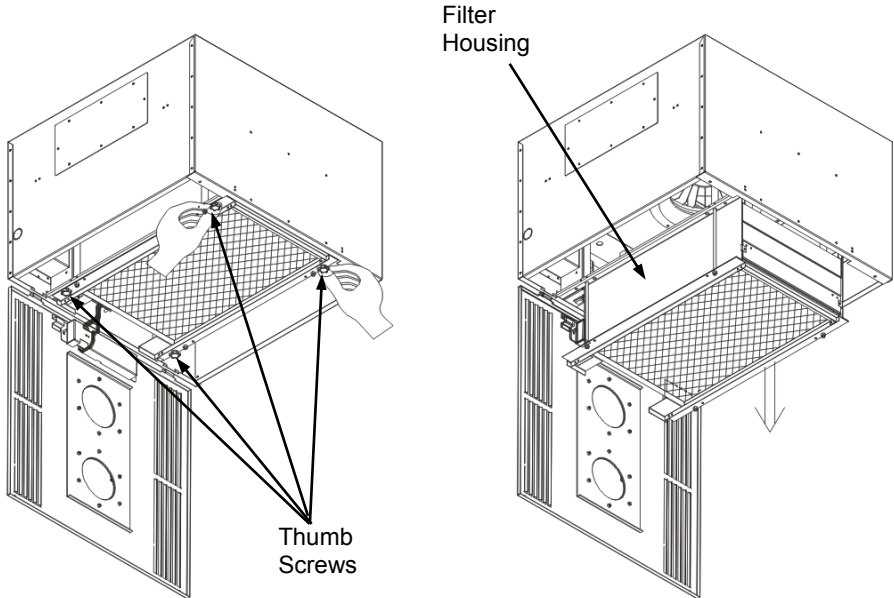


Fig. (31) –Lowering Filter Housing to Access Filters

9.2.6 Install a new set of HealthyAir® Series 1219 Replacement Filters into the Filter Housing, as follows and as shown in Fig. 32:

- Insert the HealthyAir® Pre-Filter: HA-PF-1219
- Insert the HealthyAir® eHEPA® Filter: HA-EH-1219
- Insert the HealthyAir® Activated Carbon Filter: HA-CC-1219

**Note:** Ensure that any plastic wrapping is removed from the filters prior to installing them in the unit.

# IX. Filter Replacement

## 9.2 Filter Change

9.2.7 Push the Filter Housing up to reinsert it within the unit. While holding the Filter Housing in place, screw in the four (4) Thumb Screws to secure it the housing to the body of the unit.

9.2.8 Swing the Face Plate back up, so that it is flush and properly aligned with the body of the unit and secure the Face Plate by screwing in the (2) Thumb Screws.

**Note:** Ensure that the Face Plate is properly shut, such that the Safety Switch is engaged.

9.2.9 Set the external circuit breaker to the On position and turn the Power to the unit On.

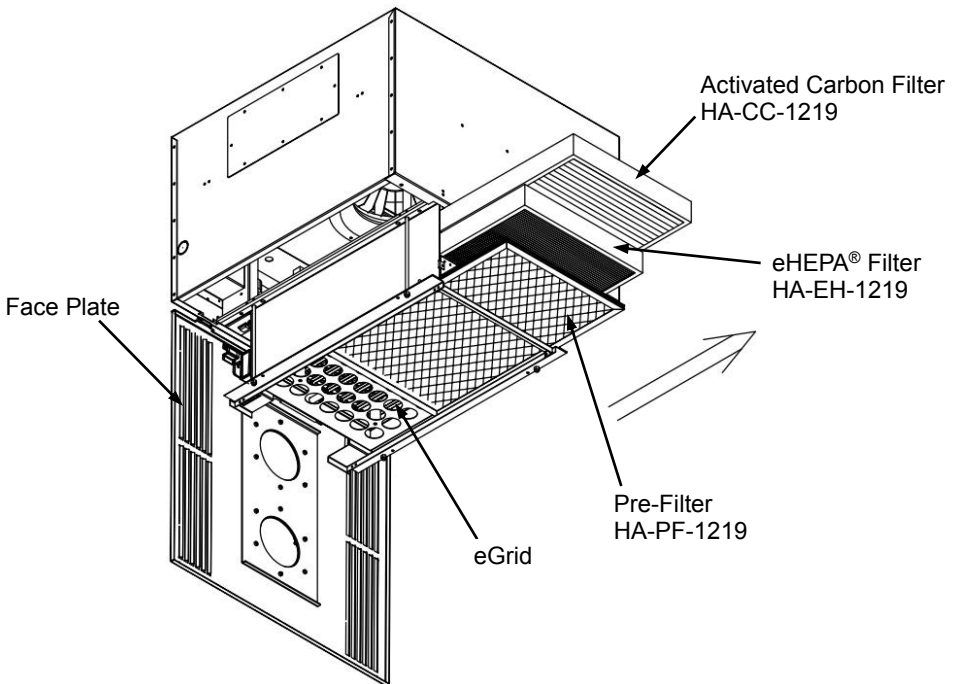



Fig. (32) – Installation of Replacement Filters

# IX. Filter Replacement

## 9.3 Reset Filter Change Indicator Light

Once the filters have been replaced and the unit is turned on, the Filter Change indicator light may continue to flash. To reset the filter change timer and deactivate the flashing light, go through the following reset procedure:

9.3.1 Turn the unit Power On.

9.3.2 Press and hold down the Power Button [  ] on the Control Panel (not the Remote Control) for five (5) seconds, while the unit continues to run.

9.3.3 After five (5) seconds, release the Power Button. The filter change timer will reset to 400-hours, after which the Filter Change indicator light will shut off.

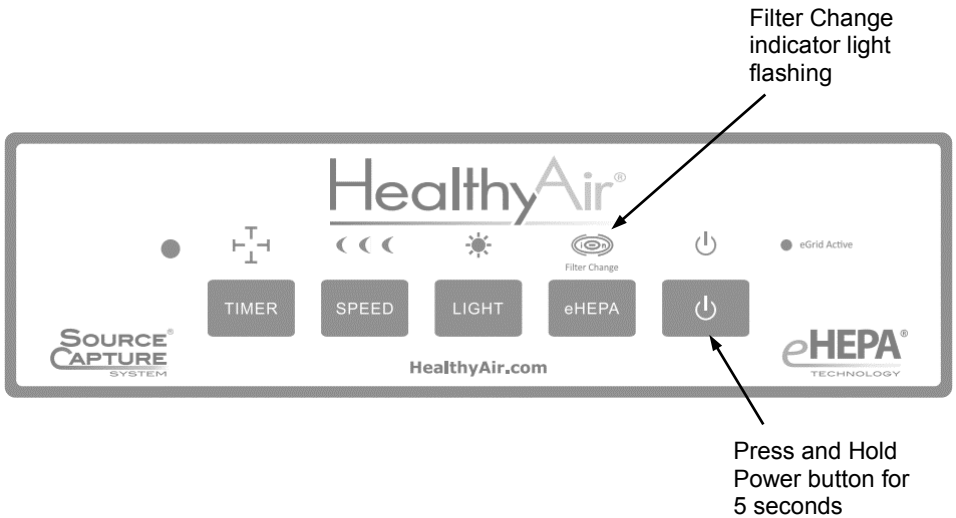


Fig. (33) - Filter Change Indicator Light Reset



## X. Maintenance

**Caution:** The HV Contact Spring may store a slight charge even after the unit is powered off. Avoid direct contact with the HV Contact Spring after the filters have been removed from the Filter Housing.

### 10.1 Clean Pre-Filter and eHEPA® Filter

To extend the effective life of the Pre-Filter and eHEPA® Filter, remove the filters from the unit from time-to-time and clean them with a standard vacuum. Refer to Section 9 for instructions to properly remove the filters.

### 10.2 Clean Filter Compartment

Visually inspect the interior compartment of the unit when the Filter Housing is empty during the filter replacement process. If particulate has accumulated in the unit, clean the interior compartment of the unit as follows:

10.3.1 Turn the unit Power Off and cut the power supply to the unit by setting the external circuit breaker to the Off position.

10.3.2 Vacuum and remove any debris that has accumulated in the accessible interior compartment of the unit. Then, properly replace the filters and secure all components of the unit.

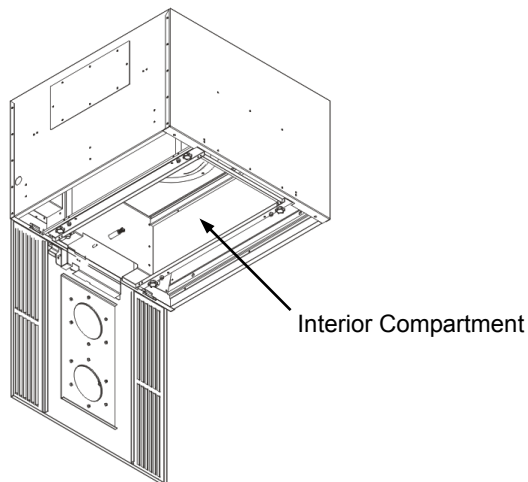


Fig. (34) – Interior Compartment

# XI. Basic Service and Troubleshooting

The Basic Service Guide should cover most performance issues. If you continue to experience issues after referring to this list, please contact Healthy Air Inc.

## 11.1 Air Purification System is Inoperable

If the unit fails to power on, the issue may be the result of one of the following causes. In some cases, the unit will require service by the manufacturer or a professionally licensed electrician.

Possible Cause	Solution
Blown Fuse	Replace the Fuse
Safety Switch not engaged	Properly close the Face Plate
Safety Switch malfunction	Replace the Safety Switch
HV Board malfunction	Replace the HV Board
PCB Board delay function	Reset the circuit breaker

## 11.2 Air Purification System Power is On but Inoperable

If the unit powers on but fails to operate properly, the issue may be the result of a faulty electrical board and will require service by the manufacturer or a professionally licensed electrician.

Possible Cause	Solution
PCB Board malfunction	Reconnect/Replace PCB Board

# XI. Basic Service and Troubleshooting

## 11.3 Air Purification System Power is On but Fan Inoperable

If the unit powers on but the fan fails to operate, the issue may be the result of a faulty motor or board and will require service by the manufacturer or a professionally licensed electrician.

<b>Possible Cause</b>	<b>Solution</b>
Fan/Motor malfunction	Replace the Fan/Motor
PCB Board malfunction	Replace the PCB Board

## 11.4 Reduced Airflow and/or Reduced Odor Absorption

If the fan/motor is properly functioning, but the unit exhibits reduced airflow and/or reduced odor absorption the issue may be the result of one of the following causes and may require replacement filters.

<b>Possible Cause</b>	<b>Solution</b>
Pre-Filter is fully loaded	Clean or Replace Pre-Filter
eHEPA® Filter is fully loaded	Clean or Replace eHEPA® Filter
Activated Carbon Filter saturated	Replace Activated Carbon Filter
Flex Hose connection is loose	Secure Flex Hose to Inlet Tube

# XI. Basic Service and Troubleshooting

## 11.5 Filter Change Indicator Light Flashing

If the unit is properly functioning and the Filter Change indicator light is flashing, the default filter change timer has expired, and the filter should be replaced.

Possible Cause	Solution
Filter change cycle timer expired	Replace filter and reset timer

## 11.6 Fan Speed Cycle Error

If the unit does not properly cycle through all three (3) fan speed settings, or the unit shuts off when cycling through the fan speed settings, the issue may be the result of one of the following causes.

Contact the manufacturer for the Control Panel reset instructions. If that does not resolve the issue, the unit will require service by the manufacturer or a professionally licensed electrician.

Possible Cause	Solution
Control Panel program error	Control Panel reset procedure
Display Board malfunction	Replace Display Board

# XI. Basic Service and Troubleshooting

## 11.7 Flex Hose Fails to Remain in Position

If the Flex Hose assembly fails to remain in position, the issue may be the result of one of the following causes or may require replacement parts.

<b>Possible Cause</b>	<b>Solution</b>
Flex Hose rigidity reduced	Rotate Flex Hose clockwise
Loose Flex Hose connection	Tighten Hose Clamp

## 11.8 Flex Hose Unravels

If the Flex Hose is lengthened, expanded or bent past its tolerance point, the hose may come apart and unravel. The issue may be the result of one of the following causes and may require replacement parts.

<b>Possible Cause</b>	<b>Solution</b>
Expanded past tolerance	Reconnect or replace Flex Hose
Lengthened past tolerance	Reconnect or replace Flex Hose
Bent past tolerance	Reconnect or replace Flex Hose
Flex Hose faulty	Replace Flex Hose

# XI. Basic Service and Troubleshooting

## 11.9 LED Light Fails to Turn On

If the LED Light fails to turn on, the issue may be the result of one of the following causes and may require replacement parts.

Possible Cause	Solution
LED Cable is not connected	Reconnect LED Cable
LED Mount is faulty	Replace LED Cable
LED Bulb is burnt out	Replace LED Bulb

## 11.10 Remote Control is Inoperable

If the Remote Control fails to operate the unit, the issue may be the result of one of the following causes and may require replacement parts or service by the manufacturer or a professionally licensed electrician.

Possible Cause	Solution
Battery nearly exhausted	Replace batteries
Remote Control faulty	Replace Remote Control
Display Board fault	Replace Display Board

## **Healthy Air Inc. 1-Year Limited Warranty**

Healthy Air Inc. only makes this 1-Year Limited Warranty ("Limited Warranty") to the original retail purchaser who submits the enclosed Warranty Registration Card within 15 days of purchase by email to [Orders@HealthyAir.com](mailto:Orders@HealthyAir.com).

This Limited Warranty applies only to the repair or replacement of any manufactured or supplied part of this product which, upon inspection by Healthy Air Inc. authorized personnel, proves to have failed in normal use due to defects in material or workmanship.

The sole responsibility of Healthy Air Inc. under this Limited Warranty is, in its sole discretion, to either repair or replace a duly registered product (or defective part thereof) with the same or a comparable model within a reasonable period of time, subject to the following exclusions, limitations, statutory rights and warranty claim procedures.

This Limited Warranty is exclusive, and Healthy Air Inc. expressly disclaims all other or additional warranties, whether written or oral, expressed or implied, including, but not limited to, warranties of merchantability, workmanship, or fitness for a particulate purpose.

Retain proof of purchase and the original box and packing materials.

### **Exclusions to the Warranty**

This Limited Warranty does not apply, or is void, as to any product or part damaged by (1) accident, misuse, abuse, or lack of reasonable care or normal maintenance; (2) installation or operation under conditions other than those recommended by Healthy Air Inc.; (3) subjecting the product to any but the specified voltage; (4) servicing or disassembly by unauthorized personnel; (5) removing or defacing the serial number; or (6) modifying the original factory-assembled unit in any way.

This Limited Warranty does not apply to shipping charges for product shipped to or from the manufacturer or designated distributor in connection with warranty claims nor does it apply to any damages that occur during such shipment.

This Limited Warranty does not apply to installation, removal, reinstallation, and/or related expenses. This Limited Warranty does not apply to replacement filters.

# **Healthy Air Inc.**

## **1-Year Limited Warranty**

### **Product Registration Form**

Please complete the Product Registration Form and submit it to Healthy Air Inc. within 15 days of the original purchase, to validate 1-Year Limited Warranty.

Submit the completed form via email by sending a scanned image or photograph to [Orders@HealthyAir.com](mailto:Orders@HealthyAir.com).

Note that, the Model Number and Serial Number are written on the sticker located at the bottom of the side panel of the unit.

Please contact us at (800) 259-2535 or visit [www.HealthyAir.com](http://www.HealthyAir.com) for Customer Service and Orders.

Name:	
Business Name:	
Street Address:	
City, State, Zip:	
Phone Number:	
Email Address:	
Date of Purchase:	
Purchased From:	
Model Number:	
Serial Number:	