

## HealthyAir® Ceiling-Mount Source Capture System® Dual Station



### Patented eHEPA® Filtration Technology (Electrostatic enhanced HEPA technology)

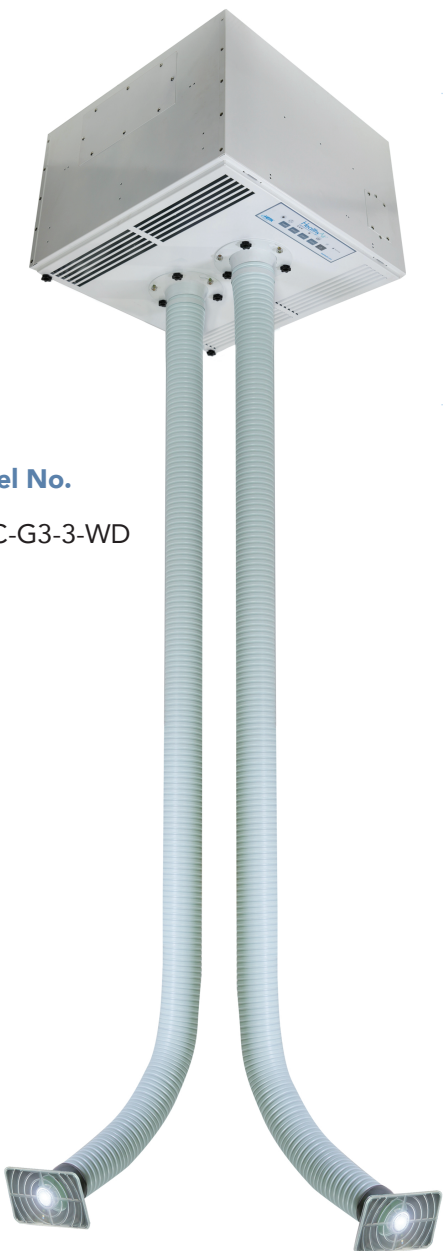
- Pre-Filter: Screens large particles, dust and debris
- HEPA Filter: Collect aerosol and ultra-fine particulate
- Carbon Coated Filter: Adsorb VOCs, chemical fumes and odors
- 10 kV Electrostatic Field: Deactivates microorganisms

### System Features

- Meets International Mechanical Code (IMC) ventilation requirement
- Position Hood 6"-12" from source to capture contaminants
- Configure unit to vent outside via connection to 6" exhaust duct
- Self-supporting 7' L Extraction Hose (custom length available)
- Aesthetic design keeps space free of floor mounted equipment
- Flush-mount in drop-ceiling with minimum of 18" plenum height
- Option of Rectangular or Circular Hood
- Optional LED light may be added to Hood to illuminate work area
- 3 Fan Speeds
- Remote control operation
- Low-maintenance, simple to replace filter (Model HA-SERIES-1219-CM)

#### Model No.

HA-CMSC-G3-3-WD



#### Filter Model No.

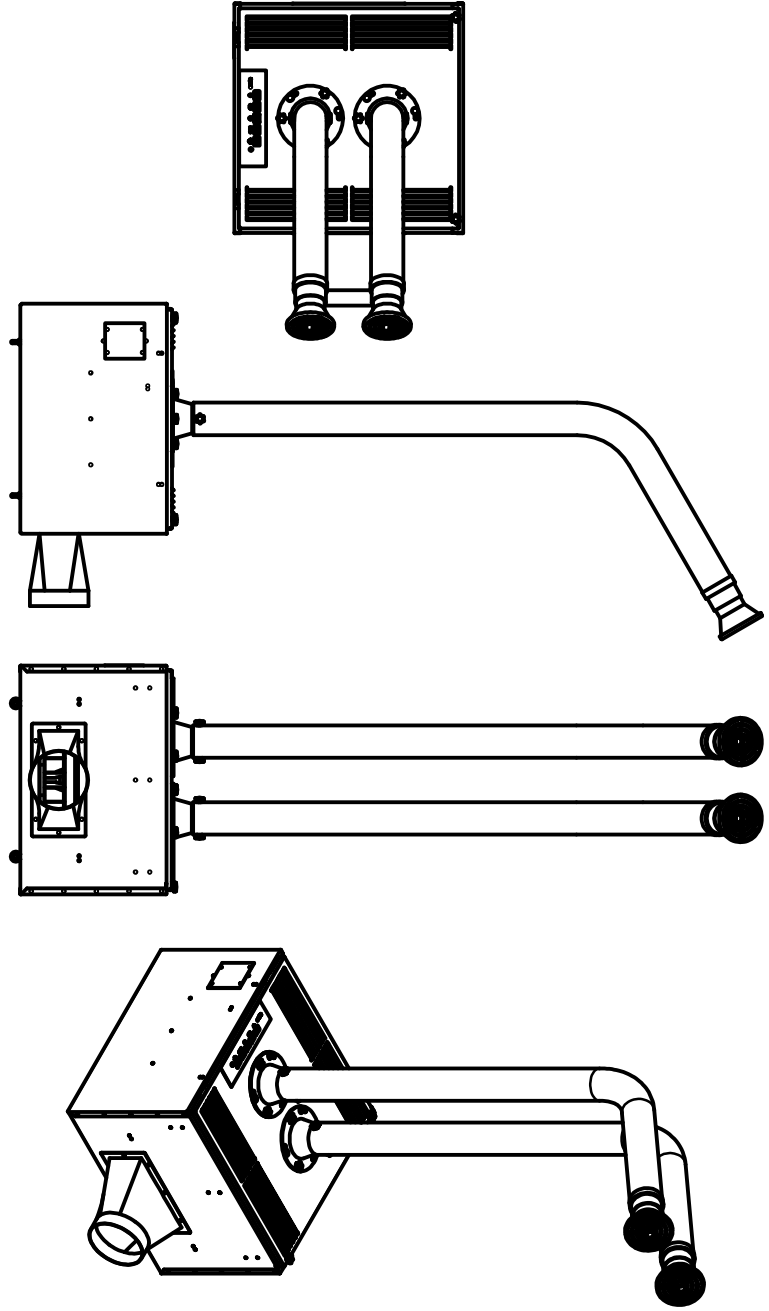
HA-SERIES-1219-CM

### Specifications

Fan Speed	Low	Med	High
<b>Total Airflow (cfm)</b>	105	124	154
<b>Inlet Airflow (cfm)</b>	53	62	77
<b>Amperage</b>	2.75 A		
<b>Voltage/Power</b>	120 V/ 60 Hz / 280 W		
<b>Base Dimensions</b>	24" L x 24" W x 15" H		
<b>Hose Dimensions</b>	7' L or 10'L, 3"Ø (custom available)		
<b>Hood Dimensions</b>	3.5"x6" Rect. or 4.5"Ø Circ.		
<b>Weight</b>	80 Lbs.		
<b>Hose Color</b>	White or Black option		

## HealthyAir® Ceiling-Mount Source Capture System® Dual Station - Outside Exhaust

Model No.: HA-CMSC-G3-3-WD	Fan Speed	High	Med	Low
Replacement Filter Model No.: HA-SERIES-1219-CM	Power Consumption (W)	275	251	196
Color: White	CFM Total (Cubic Feet/Min.)	154	124	105
Unit Weight: 97 lbs.	CFM Per Port (Cubic Feet/Min.)	77	62	53
Unit Dimensions: 23 $\frac{5}{8}$ " L x 23 $\frac{1}{2}$ " W x 15" H	Voltage/Frequency: 120V/60 HZ			
Outside Vent Outlet Ports (2): 4" x 10" (Transition flange not included)	Hard-wire electrical connection			
Outlet Vent Cover Plates (2): 4 $\frac{1}{2}$ " x 21 $\frac{1}{8}$ "	Optional 3W LED Lighting system available			
Inlet: Dual Inlet - (2) 3"Ø Inlet Port	(4) Eyes bolts enable suspension of unit for flush mount in drop down ceiling			
Extraction Flex Hose: (2) 84"L, 3"Ø (Custom length hose available)	Complies with IMC Chapter 4 Ventilation Code Requirements			
Extraction Hood: 4 $\frac{5}{8}$ "Ø Circular or 3 $\frac{5}{8}$ " x 6 $\frac{1}{8}$ " Rectangular				



# HealthyAir®

## Source Capture Systems

Healthy Air Inc.  
 (800) 259-2535 Ext. 1  
 www.HealthyAir.com

### Submittal

Date:  
 Submitted To:  
 Attention:  
 Address:  
 Tel:  
 Email:

### Project

Quote No.:  
 Quote Date:  
 Purchase Order:  
 PO Date:  
 Invoice No.:  
 Invoice Date:

This print is the property of Healthy Air Inc. It shall not be traced or reproduced in any manner, nor shall it be submitted to outside parties for examination without our consent. It shall be used only as a means of reference to work designed or furnished by Healthy Air.