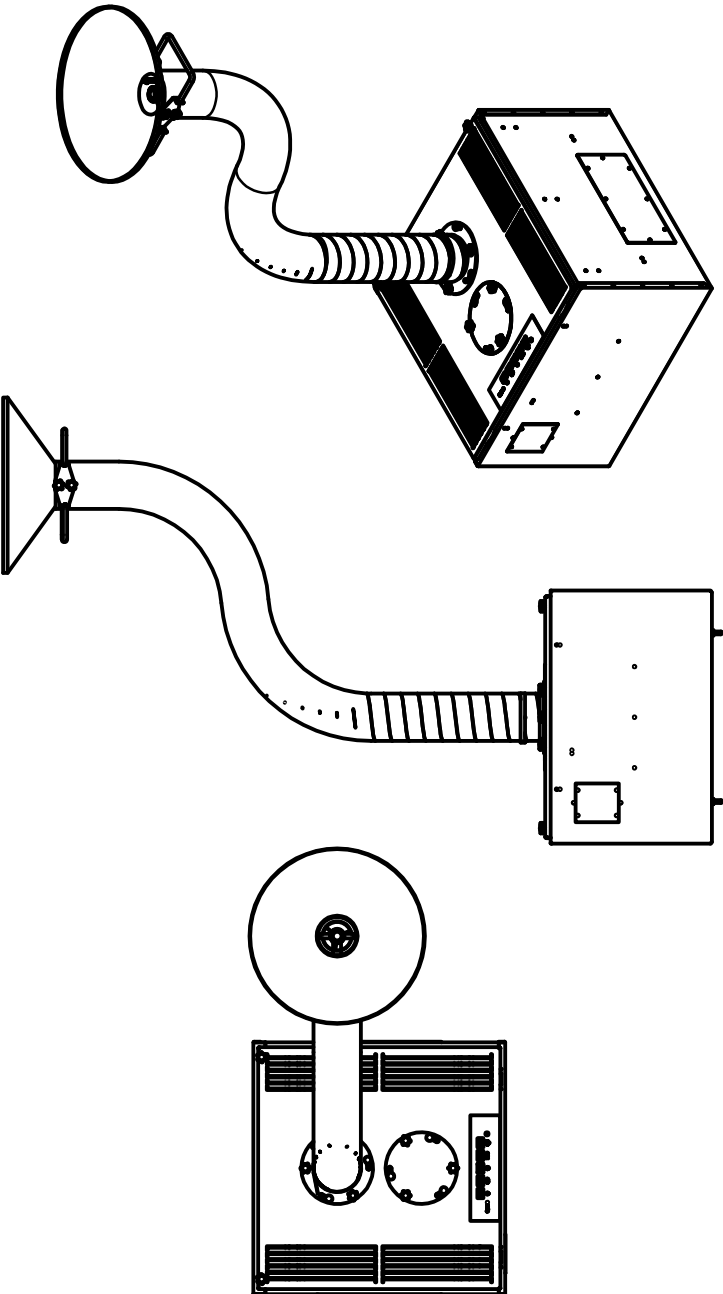


# HealthyAir® Ceiling-Mount SourceCapture® Fume Extraction System - Recirculating Ventilation

Model No.: HA-CMSC-G2-4-W  
 Replacement Filter Model No.: HA-SERIES-1219-CM  
 Color: White  
 Unit Weight: 98 lbs.  
 Unit Dimensions: 23 $\frac{1}{2}$ " L x 23 $\frac{1}{2}$ " W x 15" H  
 Inlet: (1) 4"Ø Inlet Port, (1) 7"Ø Inlet Port Cover Plate  
 Extraction Flex Hose: (1) 72" L, 4"Ø (Custom length hose available)  
 Extraction Hood: 16"Ø

Fan Speed	High	Med	Low
Power Consumption (W)	182	155	116
CFM Total (Cubic Feet/Min.)	195	150	114
Voltage/Frequency: 120V/60 HZ			
Hard-wire electrical connection			
LED Lighting: 1W			

(4) Eyes bolts enable suspension of unit for flush mount in drop down ceiling



Refer to the HealthyAir® Ceiling-Mount SourceCapture® Air Purification System Manual for Installation Instructions.



Healthy Air Inc.  
 (800) 259-2535 Ext. 1  
 www.HealthyAir.com

## Submittal

Date:  
 Submitted To:  
 Attention:  
 Address:  
 Tel:  
 Email:

## Project

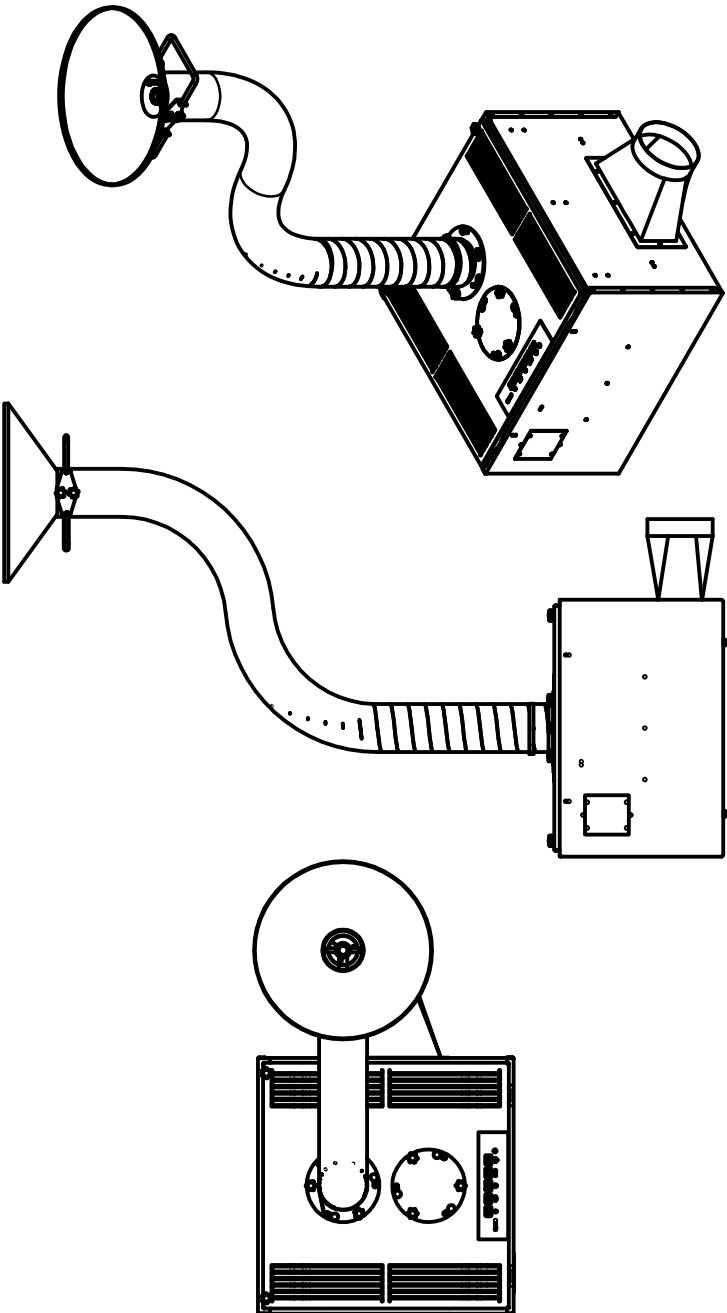
Quote No.:  
 Quote Date:  
 Purchase Order:  
 PO Date:  
 Invoice No.:  
 Invoice Date:

This print is the property of Healthy Air Inc. It shall not be traced or reproduced in any manner, nor shall it be submitted to outside parties for examination without our consent. It shall be used only as a means of reference to work designed or furnished by Healthy Air.

# HealthyAir® Ceiling-Mount SourceCapture® Fume Extraction System - Outside Ventilation

Model No.: HA-CMSC-G2-4-W-OV  
 Replacement Filter Model No.: HA-SERIES-1219-CM  
 Color: White  
 Unit Weight: 100 lbs.  
 Unit Dimensions: 23 $\frac{5}{8}$ " L x 23 $\frac{3}{4}$ " W x 15" H  
 Outside Vent Outlet Ports: (2) 4" x 10" (Transition flange not included)  
 Inlet: (1) 4"Ø Inlet Port, (1) 7"Ø Inlet Port Cover Plate  
 Extraction Flex Hose: (1) 72" L, 4"Ø (Custom length hose available)  
 Extraction Hood: 16"Ø

Fan Speed	High	Med	Low
Power Consumption (W)	182	155	116
CFM Total (Cubic Feet/Min.)	195	150	114
Voltage/Frequency: 120V/60 HZ			
Hard-wire electrical connection			
LED Lighting: 1W			
(4) Eyes bolts enable suspension of unit for flush mount in drop down ceiling			



Refer to the HealthyAir® Ceiling-Mount SourceCapture® Air Purification System Manual for Installation Instructions.



Healthy Air Inc.  
 (800) 259-2535 Ext. 1  
 www.HealthyAir.com

## Submittal

Date:  
 Submitted To:  
 Attention:  
 Address:  
 Tel:  
 Email:

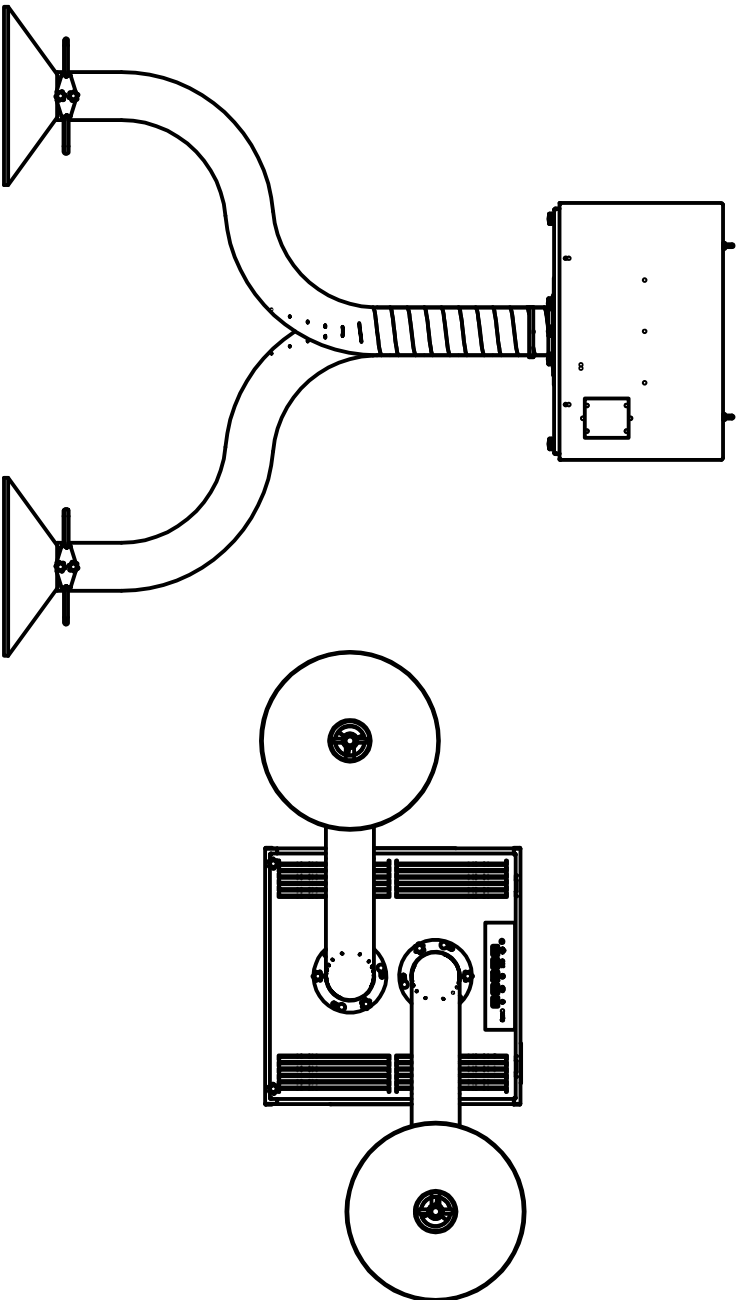
## Project

Quote No.:  
 Quote Date:  
 Purchase Order:  
 PO Date:  
 Invoice No.:  
 Invoice Date:

This print is the property of Healthy Air Inc. It shall not be traced or reproduced in any manner, nor shall it be submitted to outside parties for examination without our consent. It shall be used only as a means of reference to work designed or furnished by Healthy Air.

# HealthyAir® Ceiling-Mount SourceCapture® Fume Extraction System - Recirculating Ventilation

Model No.:	HA-CMSC-G2-4-WD	Fan Speed	High	Med	Low
Replacement Filter Model No.:	HA-SERIES-1219-CM	Power Consumption (W)	182	155	116
Color:	White	CFM Total (Cubic Feet/Min.)	226	188	144
Unit Weight:	120 lbs.	CFM Per Port (Cubic Feet/Min.)	113	94	72
Unit Dimensions:	23 $\frac{1}{2}$ " L x 23 $\frac{1}{2}$ " W x 15" H	Voltage/Frequency:	120V/60 HZ		
Inlet:	(2) 4"Ø Inlet Port	Hard-wire electrical connection			
Extraction Flex Hose:	(1) 72" L, 4"Ø (Custom length hose available)	LED Lighting:	1W		
Extraction Hood:	16"Ø	(4) Eyes bolts enable suspension of unit for flush mount in drop down ceiling			



Refer to the HealthyAir® Ceiling-Mount SourceCapture® Air Purification System Manual for Installation Instructions.



Healthy Air Inc.  
 (800) 259-2535 Ext. 1  
[www.HealthyAir.com](http://www.HealthyAir.com)

## Submittal

Date:  
 Submitted To:  
 Attention:  
 Address:  
 Tel:  
 Email:

## Project

Quote No. :  
 Quote Date:  
 Purchase Order:  
 PO Date:  
 Invoice No. :  
 Invoice Date:

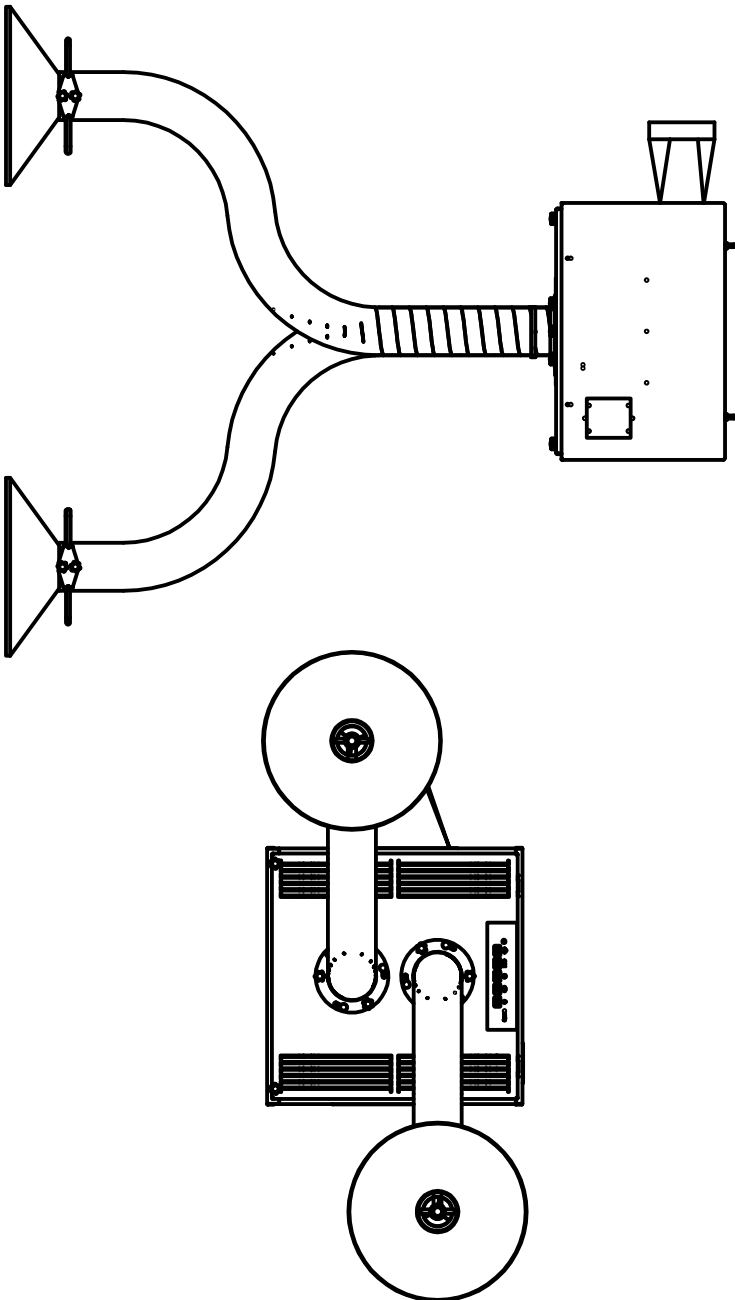
This print is the property of Healthy Air Inc. It shall not be traced or reproduced in any manner, nor shall it be submitted to outside parties for examination without our consent. It shall be used only as a means of reference to work designed or furnished by Healthy Air.

# HealthyAir® Ceiling-Mount SourceCapture® Fume Extraction System - Outside Ventilation

Model No.: HA-CMSC-G2-4-WD-OV  
 Replacement Filter Model No.: HA-SERIES-1219-CM  
 Color: White  
 Unit Weight: 120 lbs.  
 Unit Dimensions: 23 $\frac{5}{8}$ " L x 23 $\frac{3}{4}$ " W x 15" H  
 Outside Vent Outlet Ports: (2) 4" x 10" (Transition flange not included)  
 Inlet: (2) 4"Ø Inlet Port  
 Extraction Flex Hose: (1) 72" L, 4"Ø (Custom length hose available)  
 Extraction Hood: 16"Ø

Fan Speed	High	Med	Low
Power Consumption (W)	182	155	116
CFM Total (Cubic Feet/Min.)	226	188	144
CFM Per Port (Cubic Feet/Min.)	113	94	72
Voltage/Frequency: 120V/60 HZ			
Hard-wire electrical connection			
LED Lighting: 1W			

(4) Eyes bolts enable suspension of unit for flush mount in drop down ceiling



Refer to the HealthyAir® Ceiling-Mount SourceCapture® Air Purification System Manual for Installation Instructions.



Healthy Air Inc.  
 (800) 259-2535 Ext. 1  
 www.HealthyAir.com

## Submittal

Date:  
 Submitted To:  
 Attention:  
 Address:  
 Tel:  
 Email:

## Project

Quote No.:  
 Quote Date:  
 Purchase Order:  
 PO Date:  
 Invoice No.:  
 Invoice Date:

This print is the property of Healthy Air Inc. It shall not be traced or reproduced in any manner, nor shall it be submitted to outside parties for examination without our consent. It shall be used only as a means of reference to work designed or furnished by Healthy Air.