

Sanitaire®

Commercial

Air Mover

SC6056/SC6057

Owner's Guide

Part No. SC6056/SC6057 Rev 1 (01/17)



Owner's Guide

IMPORTANT

Do not return this product to the store.
Call 1-800-800-8975*

Monday - Friday 8:00 AM to 7:30 PM
and Saturday 10 AM to 6:30 PM

Central time or visit our web site,
www.sanitairevac.com for any of the
following:

- assembly problems
- replacement of broken or missing items
- to review repair parts list
- to order replacement parts and accessories
- to locate the nearest Sanitaire warranty station

*En Mexico llame al 5670-6169

www.sanitairevac.com

PLEASE RETAIN

We suggest you record the model, type, and serial numbers below. They are located on the silver rating plate on your unit. For prompt and complete service information, always refer to these numbers when inquiring about service.

Model & Type _____

Serial No. _____

It is also important to keep your receipt as proof of date of purchase.

SAFETY INSTRUCTIONS & WARNINGS

IMPORTANT SAFETY INSTRUCTIONS

READ AND UNDERSTAND ALL INSTRUCTIONS BEFORE USING THIS UNIT

Read and understand this owner's manual and all labels on the unit before operating. Safety is a combination of common sense, staying alert and knowing how your unit works. Use this unit only as described in this manual. To reduce the risk of personal injury or damage to your unit use only Sanitaire recommended accessories

When using an electrical appliance, basic precautions should always be followed including the following:

WARNING: TO REDUCE THE RISK OF FIRE, ELECTRICAL SHOCK OR INJURY:

- Do not run the unit unattended
- **WARNING** - To reduce the risk of Electrical Shock - Use indoors only.
- **WARNING** - To Reduce the Risk of Fire - Do not use a flammable or combustible liquid to clean a floor.
- Do not use this unit near flammable liquids, gases, or explosive vapors like gasoline or other fuels, lighter fluids, cleaners, oil-based paints, natural gas, hydrogen, or explosive dusts like coal dust, magnesium dust, grain dust, or gun powder. Sparks inside the motor can ignite flammable vapors or dust.
- Keep the cord away from heated surfaces.
- Do not expose to rain. Store indoors in an area above 32°F where the machine will not freeze.
- Do not unplug by pulling on cord. To unplug, grasp the plug.
- Do not use with damaged cord, plug, or other parts.
- If the unit is not working as it should, has been dropped, damaged, left outdoors, or dropped into water, return it to a service center.
- Do not pull or carry by the cord, use the cord as a handle, close a door on a cord, or pull cord around sharp edges or corners.
- Do not run the unit over the cord.
- Do not handle the plug or the unit with wet hands..
- Do not store near hazardous materials.
- Do not allow it be used as a toy. Close attention is necessary when used by or near children.
- To reduce the risk of injury from accidental starting, unplug power cord before cleaning, making adjustments or repairs.
- Do not leave the unit unattended when plugged in. Unplug from wall outlet when not in use and before servicing.
- Turn off all controls before unplugging.
- Do not put any object into ventilation openings. Do not operate with any ventilation openings blocked; keep free of dust, lint, hair or anything that may reduce air flow.
- Keep hair, loose clothing, fingers and all parts of the body away from openings and moving parts.
- To reduce the risk of falls, use extra care when using the unit on stairs.
- Do not pick up flammable or combustible liquids, such as gasoline, or use in areas where they may be present.
- Do not use an extension cord with this unit.
- If the machine tips over during use, shut it off immediately and set it upright and wait for the motor to stop completely.
- **WARNING:** This product contains chemicals known to the State of California to cause cancer, birth defects or reproductive harm. WASH HANDS AFTER HANDLING.

SAVE THIS MANUAL FOR FUTURE REFERENCE

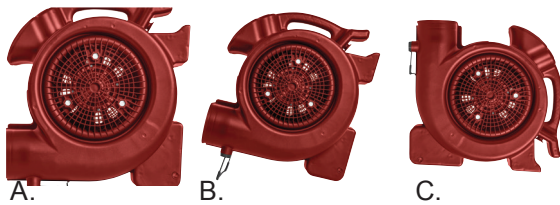
OPERATING INSTRUCTIONS

Ensure machine is in a safe operating location. Do not place machine in a puddle and make sure it is protected from drips and splashes.

Plug the power cord into a grounded electrical outlet. Always unwind power cord completely before operating machine. Inspect power cord for damage before each use. Replace cord immediately if damaged.

Place the machine in the desired operating position.

- A. Horizontal - dry floors and carpets
- B. Tilted - dry floor finishes, paint, etc.
- C. Vertical - dry wall and ceiling



Set the desired speed by turning switch.

Check for proper operation before leaving the machine unattended. Do not move or carry the machine when it is operating.

To shut-off machine, turn the switch to the off (O) position.

The machine is equipped with an automatic reset motor overload shut-off thermal sensor to protect motor from overheating. Should the shut-off thermal sensor trip, it will reset automatically when the motor has cooled sufficiently, usually after 15-30 minutes.

MACHINE COMPONENTS



- 1. 3-Speed Switch
- 2. Carrying Handle
- 3. Power Cord Storage
- 4. Air Outlet Vent
- 5. Air Intake Vent
- 6. Kick Stand

Telescoping handle and wheels are included with SC6057. To use, push in release button, pull handle up until it locks into place. Tilt the unit back onto the wheels and roll to desired location.

3 Position switch



MACHINE MAINTENANCE

To keep machine in good working condition, simply perform the following maintenance procedures.

Unplug cord from outlet when not in use and before servicing machine.

1. Inspect power cord for damage after each use. Replace power cord immediately if damaged.
2. Clean machine with a damp cloth.
3. Check for dust accumulation around the air inlet and outlet vents and clean if necessary. Blocked vents will cause the motor to overheat, and may lead to premature failure. Warranty claims for this type of damage will not be accepted.

Unplug cord from outlet when not in use and before servicing machine.

If machine fails to operate:

- Check power cord for damage.
- Check plug connection.
- Check building circuit breaker.
- Thermal sensor shut-off - wait 15-30 minutes to cool.
- Contact service center.

STORING AND TRANSPORTING MACHINE

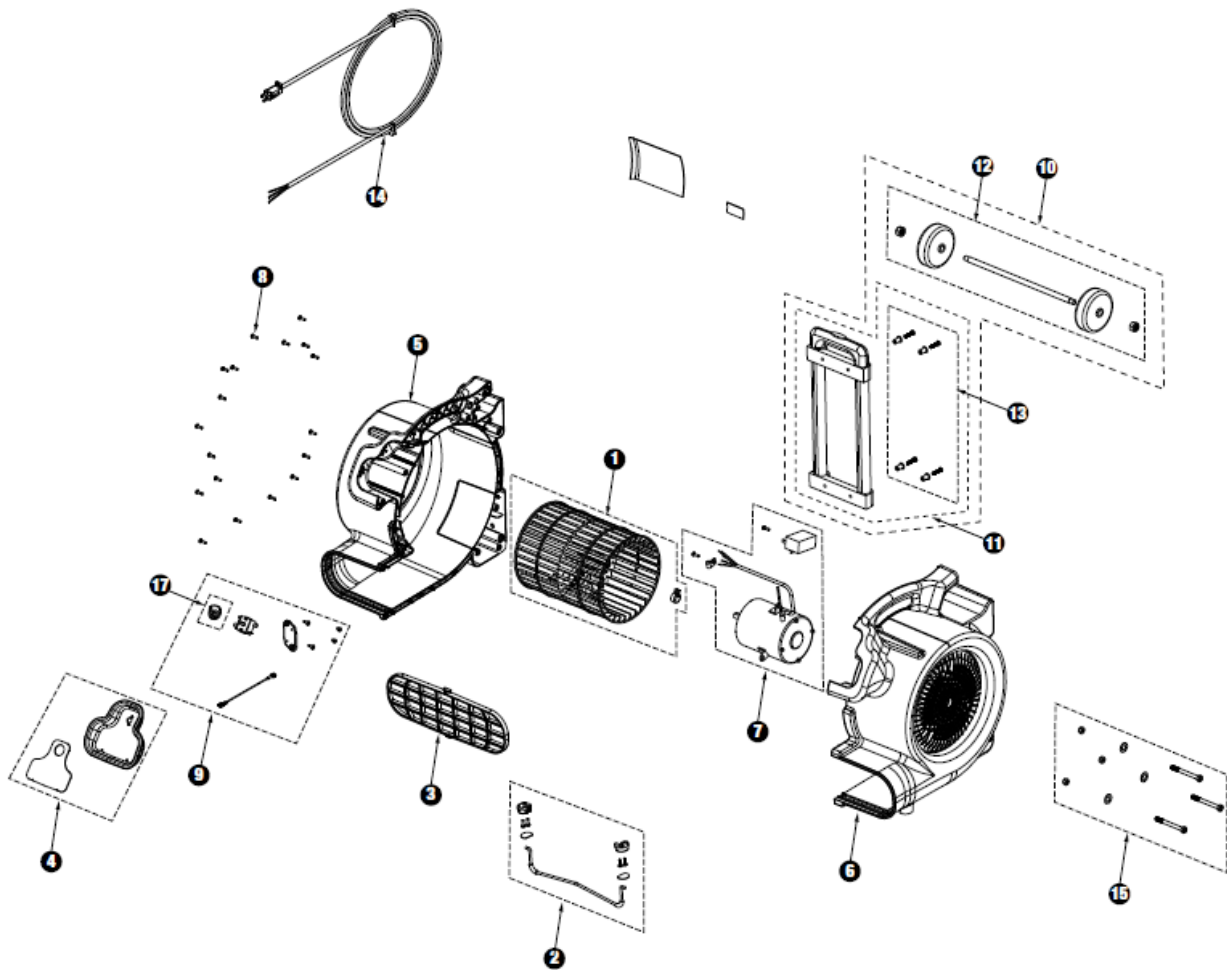
Neatly wrap power cord and store machine in a cool dry area. Do not expose to rain, store indoors.

Stack machines for storage as shown.

CAUTION: Do not stack beyond four high. Do not stack during transporting and secure with strap.



SCHEMATIC AND PARTS LIST



| ITEM | PART NO. | DESCRIPTION | QTY |
|------|----------|-------------------------------|-----|
| 1 | 17351CP | FAN ASSEMBLY | 1 |
| 2 | 17352CP | KICKSTAND ASSEMBLY | 1 |
| 3 | 17353CP | GRILL | 1 |
| 4 | 17354CP | CONTROL PANEL ASSEMBLY | 1 |
| 5 | 17355CP | HOUSING (LEFT) | 1 |
| 6 | 17356CP | HOUSING (RIGHT) | 1 |
| 7 | 17357CP | MOTOR AND CAPACITOR ASSEMBLY | 1 |
| 8 | 17358CP | HOUSING FASTENERS | 18 |
| 9 | 17359CP | WIRING AND SWITCH ASSEMBLY | 1 |
| 10 | 17366CP | WHEEL AND HANDLE ASSEMBLY KIT | 1 |
| 11 | 17360CP | HANDLE AND HARDWARE ASSEMBLY | 1 |
| 12 | 17361CP | WHEEL AND AXLE ASSEMBLY | 1 |
| 13 | 17362CP | HANDLE INSERT ASSEMBLY | 1 |
| 14 | 17363CP | CORD 18/3 SJTW 20FT. | 1 |
| 15 | 17364CP | MOTOR MOUNTING HARDWARE | 1 |
| 17 | 17365CP | SWITCH KNOB | 1 |