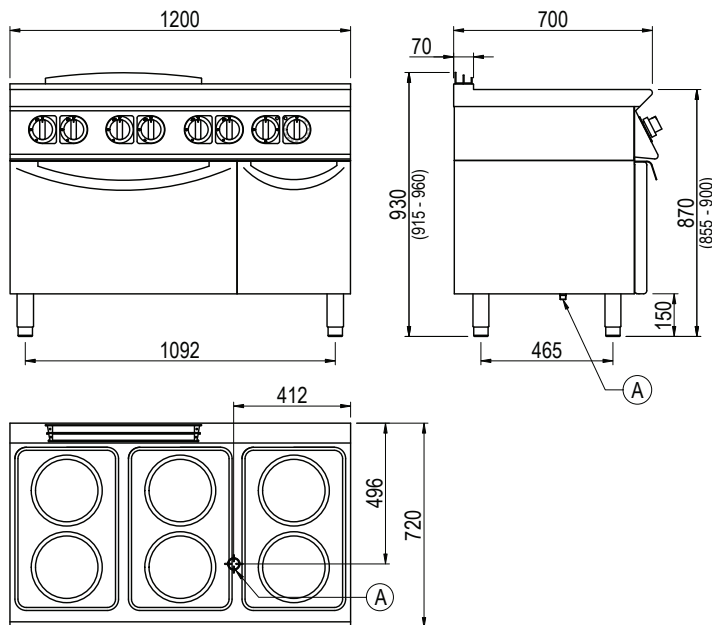




**Product Information:**

- Class leading, European style, professional quality and reliability since 1963
- 700 series, electric boiling top with round hot plates (6 x 2.8kW), standard electric 2/1GN oven (6.7kW) and storage compartment
- Hot plate temperature regulation via 6 position selector
- Electric oven with thermostat temperature control (50°C – 300°C). Top and bottom elements can be independently regulated via 4 position selector
- Indicator lights to monitor the correct operation of the appliance
- Robust 304 grade stainless steel construction with rounded corners and moulded inner door for improved cleaning
- Hermetically sealed, pressed work surface with raised edges to protect from overflow
- Height adjustable stainless steel feet for a 900mm working height
- 24-month warranty

**General Drawing:**



**Specifications:**

<b>Model</b>	CE76TET
<b>W x D x H (mm)</b>	1200 x 720 x 930
<b>Weight</b>	160kg
<b>Oven Cavity W x D x H (mm)</b>	693 x 580 x 300
<b>Hot Plates</b>	6 x Ø220mm
<b>Packed Dimensions (mm)</b>	1250 x 825 x 1200
<b>Packed Weight (mm)</b>	175kg
<b>Electrical Connection</b>	3Ø + N + E 415VAC / 50Hz / 23.5kW

**Legend:**

A Electrical Connection

