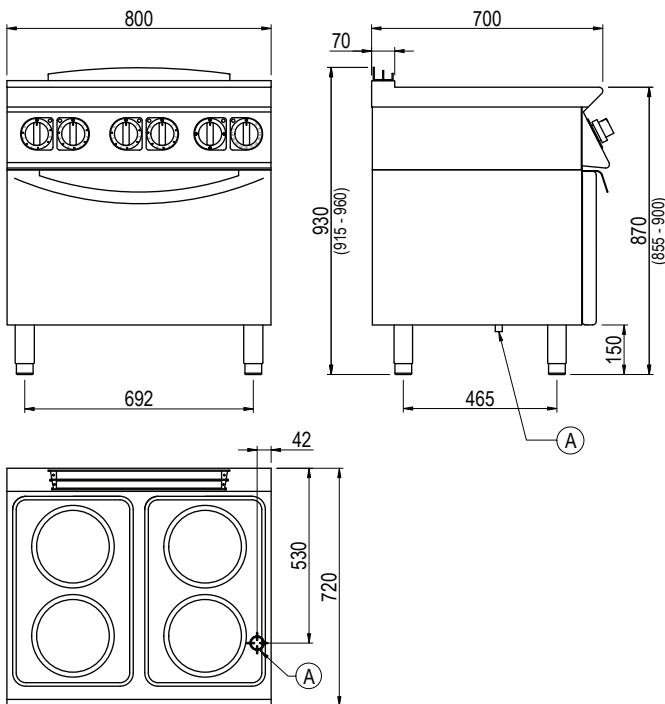




Product Information:

- Class leading, European style, professional quality and reliability since 1963
- 700 series, electric boiling top with round hot plates (4 x 2.8kW) and standard electric 2/1GN oven (6.7kW)
- Hot plate temperature regulation via 6 position selector
- Electric oven with thermostat temperature control (50°C – 300°C). Top and bottom elements can be independently regulated via 4 position selector
- Indicator lights to monitor the correct operation of the appliance
- Robust 304 grade stainless steel construction with rounded corners and moulded inner door for improved cleaning
- Hermetically sealed, pressed work surface with raised edges to protect from overflow
- Height adjustable stainless steel feet for a 900mm working height
- 24-month warranty

General Drawing:



Specifications:

Model	CE74TET
W x D x H (mm)	800 x 720 x 930
Weight	130kg
Oven Cavity W x D x H (mm)	693 x 580 x 300
Hot Plates	4 x Ø220mm
Packed Dimensions (mm)	845 x 825 x 1200
Packed Weight (mm)	140kg
Electrical Connection	3Ø + N + E 415VAC / 50Hz / 18kW

Legend:

A Electrical Connection

