



AXA.FDFSSQ.12

Ambient Food Display Freestanding - Square

Product Information:

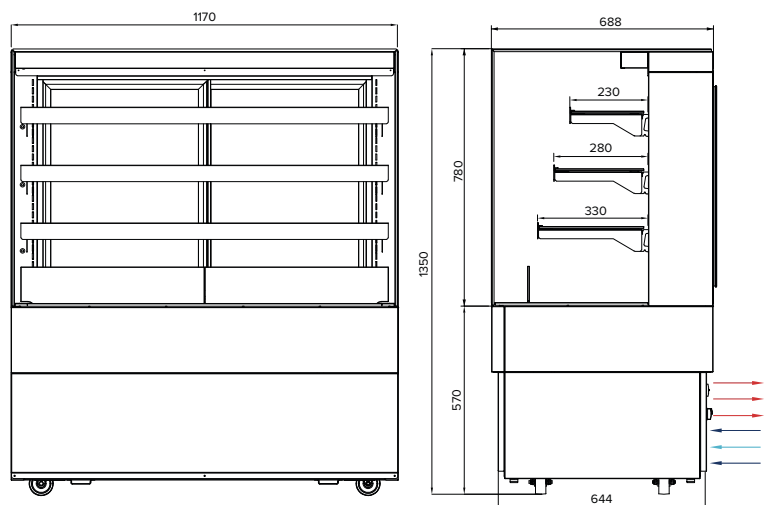
- Specifically designed for controlled ambient temperatures, extending shelf life while maintaining fresh food
- Adjustable digital temperature control (from 16°C - 20°C)
- Efficient LED lighting for increased product visibility
- Frameless glass construction (single glazed) for exceptional display
- Removable shelves and base for ease of cleaning
- 4 tier (base and 3 adjustable shelves)
- Easily removable condenser filter for hassle free cleaning. No tools required
- Sliding glass doors to rear
- Protective coating on refrigeration coil to help prevent corrosion
- High quality components including highly efficient compressors
- Supplied on castors for easy manoeuvrability and cleaning
- 870mm wide model also available

Designed and Engineered in Australia to meet Australian Standards
24 Months on-site parts and labour warranty



Specifications

Model	AXA.FDFSSQ.12
W x D x H (mm)	1170 x 688 x 1350
Weight	153kg
Packed Dimensions (mm)	1254 x 784 x 1520
Packed Weight	199kg
Operation	16°C - 20°C
Refrigerant	R134a
Max Ambient	32°C
Power	230VAC / 50Hz / 0.66kW 10A plug & lead



FRONT VIEW

SIDE VIEW

Due to continuous product research and development,
the information contained herein is subject to change without notice.

Revision: A - 19/09/2022 - 03

www.stoddart.com.au

www.stoddart.co.nz

