

## Bun Conveyor Oven W.CVT.BUN.25

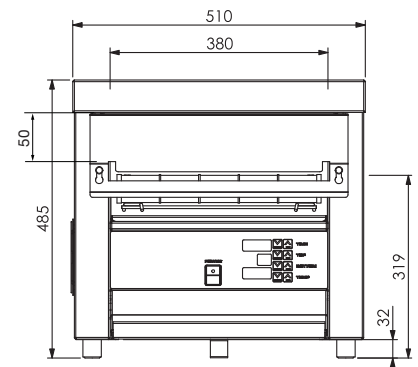
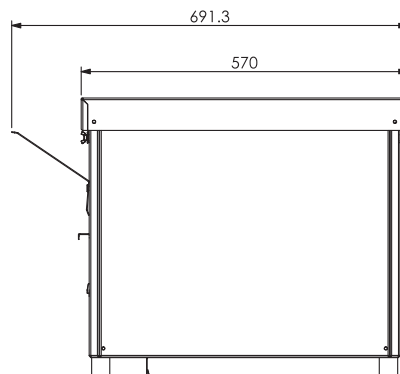
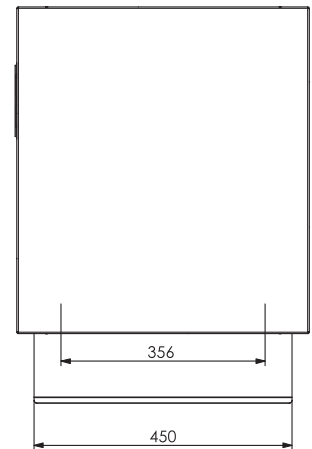


### Product Information:

- Front loading & front exiting machine
- Long life metal elements for continuous use
- 6kW (25 Amps) of power for more throughput
- Touchpad “set and forget” control system
- Variable speed belt control as well as chamber temperature control
- Variable top and bottom independent temperature controls
- Stainless steel construction
- Supplied with 2 metre lead for appropriate hard wiring on site by a qualified electrician. Optional factory fitted plug is available (W.CVS.PL32)
- Capacity of up to 250 buns per hour\*

### Specifications:

<b>Model</b>	<b>W.CVT.BUN.25</b>
<b>Height</b>	485mm
<b>Width</b>	570mm
<b>Depth</b>	510mm
<b>Belt Width</b>	356mm
<b>Power</b>	6kW
	25A
	2m lead fitted



\*results may differ due to bread types  
Due to continuous product research and development,  
the information contained herein is subject to change without notice.

Revision: D - 28/08/2020

[www.stoddart.com.au](http://www.stoddart.com.au)  
[www.stoddart.co.nz](http://www.stoddart.co.nz)