

Contact Grill W.CT6 / W.CT6R

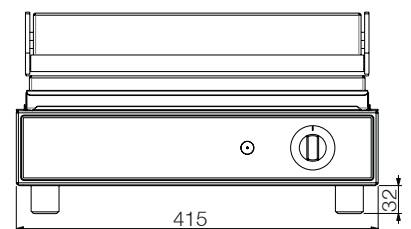
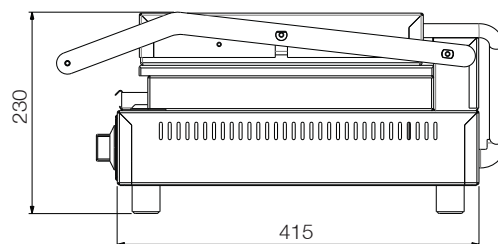
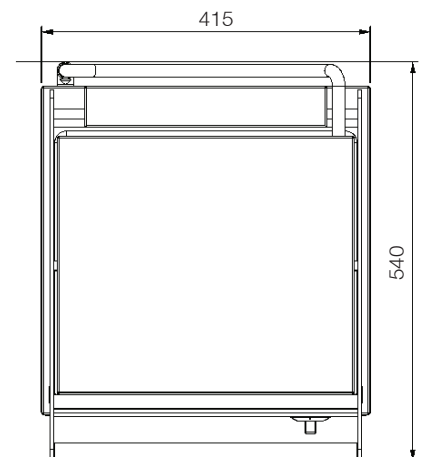


Product Information:

- Spring balanced upper plate limits crushing of product
- Smooth finish aluminium plates or ribbed top plate
- Removable grease tray to front
- Thermostat control, 50°C- 250°C
- Complete stainless steel body & arms
- Easy clean design with fully enclosed lifting assembly
- 12mm aluminium plate

Specifications:

Model	W.CT6 W.CT6R
Height	230mm
Width	415mm
Depth	540mm
Weight	22kg
Power	2.2kW 10A plug & lead fitted
Capacity	4-6 slices



Due to continuous product research and development, the information contained herein is subject to change without notice.

Revision: C - 03/11/2020

www.stoddart.com.au

www.stoddart.co.nz