

Pro Series Computer Controlled Contact Toaster W.GPC61SC / W.GPC61SC.R.A

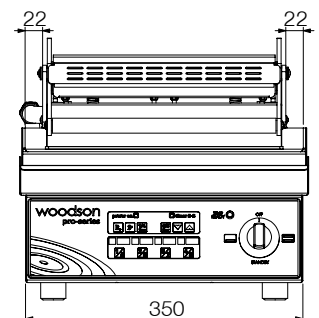
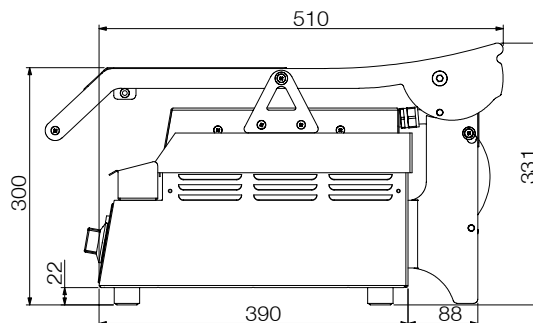
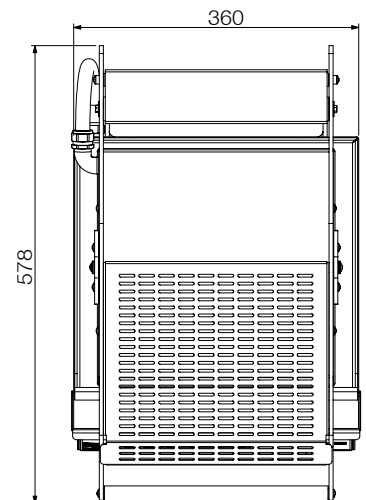
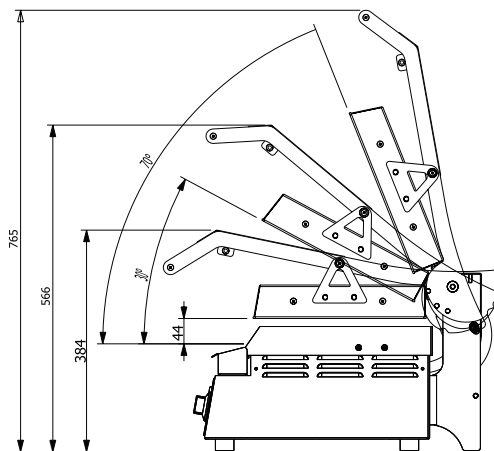


Product Information:

- Full size stainless steel lower plate with integrated splashback to protect from overflow
- Gas strut assisted top plate for easy operation and controlled weight to product
- Computer controlled operation - 3 mode (Both plates, bottom plate only, & standby)
- Concealed temperature regulation via thermostat (preset at 210°C)
- LED timer display and 8 programmable settings
- Protective heat shield for increased operator safety - removable
- Optional accessories available

Specifications:

Model	W.GPC61SC
Height	331mm
Width	360mm
Depth	578mm
Power	240VAC / 50Hz / 2.2kW 10A plug & lead fitted
Top Plate	300 x 300mm
Bottom Plate	345 x 310mm



Due to continuous product research and development, the information contained herein is subject to change without notice.

Revision: D - 18/07/2022 - 02

www.stoddart.com.au

www.stoddart.co.nz