

Single Plate Contact Toaster W.GPC350

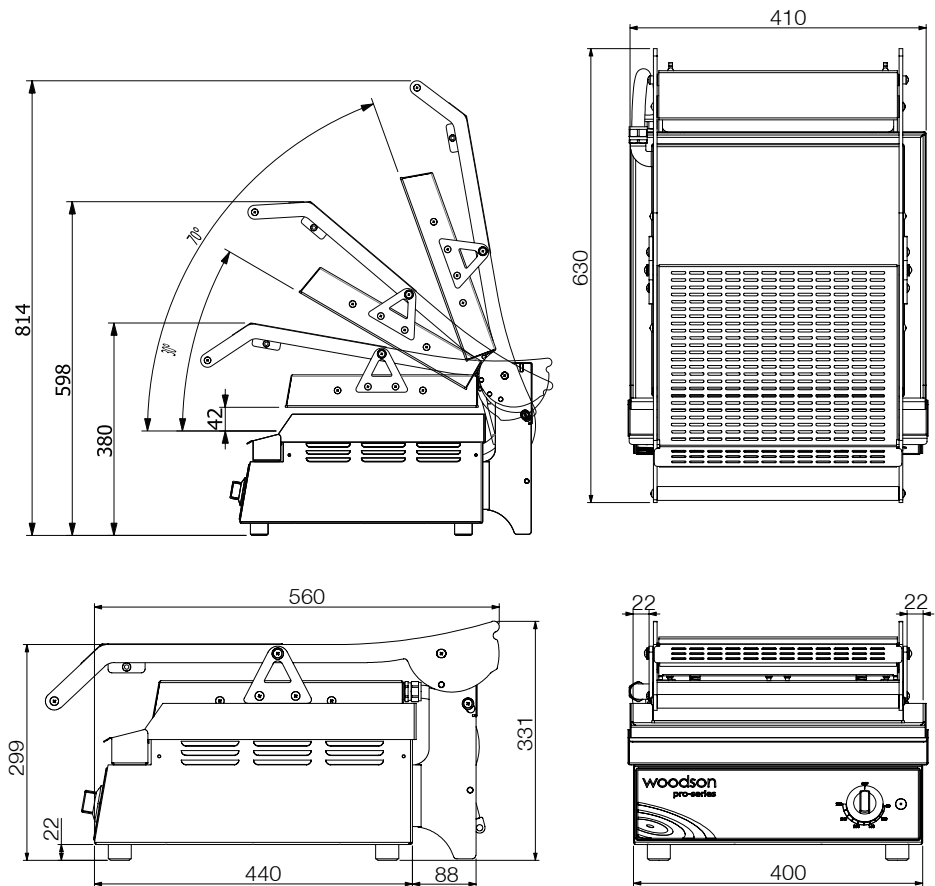


Product Information:

- Full size stainless steel lower plate with integrated splashback to protect from overflow
- Gas strut assisted top plate for easy operation and controlled weight to product
- Temperature regulation via thermostat (80 - 280°C)
- Protective heat shield for increased operator safety - removable
- Removable grease tray to front

Specifications:

Model	W.GPC350
Height	331mm
Width	410mm
Depth	630mm
Weight	22kg
Power	240VAC / 50Hz / 2.2kW (10A plug & lead fitted)
Top Plate	350 x 350mm
Bottom Plate	395 x 360mm



Due to continuous product research and development, the information contained herein is subject to change without notice.

Revision: B - 18/07/2022 - 02

www.stoddart.com.au

www.stoddart.co.nz