

Countertop Digital Autolift Fryer W.FRSA110

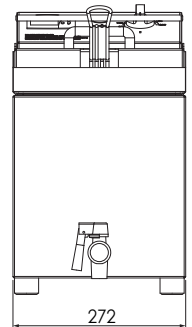
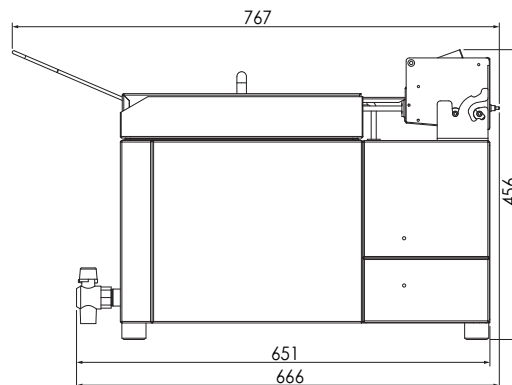
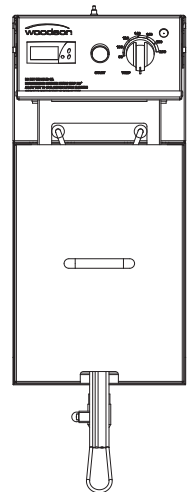


Product Information:

- Temperature regulation via thermostat, designed for 180°C frying
- Suitable for use with liquid oil only
- Over temperature safety cut-out as standard
- Robust stainless steel element covers
- Removable tilting element assembly
- Digital timer control basket lifter for cook and leave operation
- Pressed pan with oil drainage via integrated ball valve tap
- Supplied with snug fitting stainless steel lid
- Additional accessories available

Specifications

Model	W.FRSA110
Height	456mm
Width	272mm
Depth	666mm (with basket 767mm)
Circuit	Dedicated x 1
Power	240VAC / 50Hz / 4.8 kW (20A plug & lead fitted)
Capacity	11 Litre



Due to continuous product research and development, the information contained herein is subject to change without notice.

Revision: B - 19/07/2022 - 02

www.stoddart.com.au

www.stoddart.co.nz