

## Countertop Fryer W.FRSxx / W.FRTxx

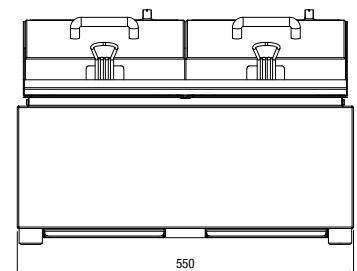
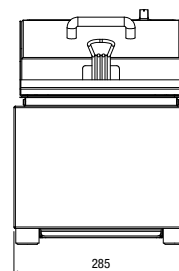
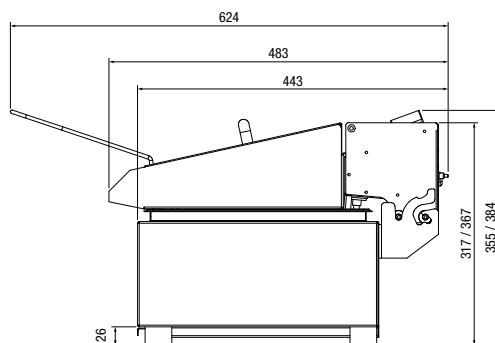


### Product Information:

- Temperature regulation via thermostat, designed for 180°C frying
- Suitable for use with liquid oil only
- Over temperature safety cut-out as standard
- Robust stainless steel element covers
- Removable tilting element assembly
- Easily removable oil tank
- Supplied with snug fitting stainless steel lid/s and drip tray/s
- Additional accessories available

### Specifications:

Model	W.FRS50	W.FRS80	W.FRT50	W.FRT80
Height	355mm	384mm	355mm	384mm
Width	285mm	285mm	550mm	550mm
Depth	483mm (619mm with basket)	483mm (619mm with basket)	483mm (619mm with basket)	483mm (619mm with basket)
Power	240VAC / 50Hz / 2.2kW (10A plug & lead fitted)	240VAC / 50Hz / 3.2kW (15A plug & lead fitted)	2 x 240VAC / 50Hz / 2.2kW (2 x 10A plug & lead fitted) *2 separate 10A circuits	2 x 3.2kW (2 x 15A plug & lead fitted) *2 separate 15A circuits
Capacity	5 Litre 8.5kg/hr (frozen 10mm chips)	8 Litre 11.5kg/hr (frozen 10mm chips)	2 x 5 Litre 2 x 8.5kg/hr (frozen 10mm chips)	2 x 8 Litre 2 x 11.5kg/hr (frozen 10mm chips)



Due to continuous product research and development, the information contained herein is subject to change without notice.

Revision: C - 19/07/2022 - 02

[www.stoddart.com.au](http://www.stoddart.com.au)

[www.stoddart.co.nz](http://www.stoddart.co.nz)