

ST40T

Hi-Touch Adjustable Fast Salamander
1/1GN



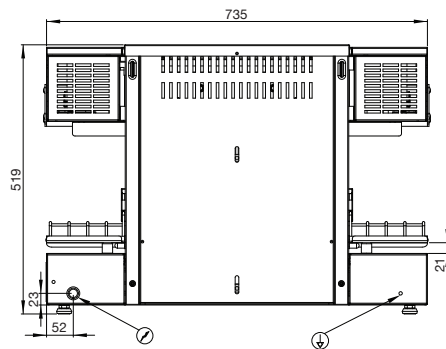
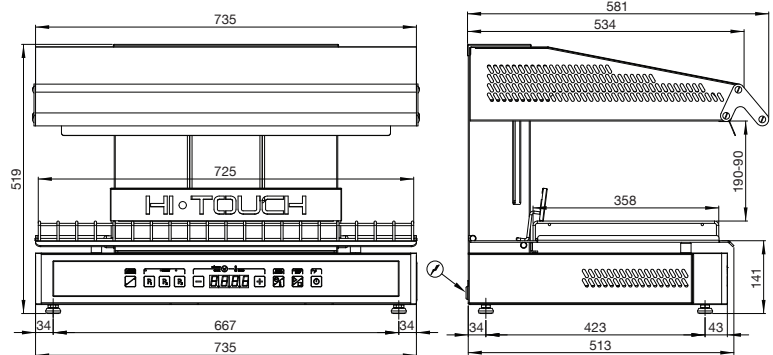
HI • TOUCH

Specifications

Model	ST40T
W x D x H (mm)	735 x 581 x 519
Weight	80.5kg
Capacity	1/1GN
Cooking Plate Size (mm)	725 x 358
Power	6.0 kW 415V 3Ø + N + E OR 230V 1Ø + N + E

Product Information:

- High performance ultra-rapid salamander unit with GIORIK exclusive patented heating system
- Touch Screen panel that responds instantly to the touch of a finger
- 3 Operation Modes:
 - **Cook Mode** for cooking food from 1 second – 20 minutes
 - **Hold Mode** to maintain dish at a stable temperature utilising 8 settings from 40°C to 80°C
 - **Program Mode** (P1, P2, P3) that cooks & then holds food at a required set temperature
- Automatic pan/plate detection for maximum energy savings
- Class leading heat up of elements in just 8 seconds
- Up to 79% energy saving compared to traditional salamanders
- Full power, or alternating mode for more gentle cooking
- Robust easy slide fully adjustable top
- Automatic repetition feature
- Extremely easy to clean unit
- Stainless Steel wall mount included as standard (adjustable feet supplied in cases where wall mount is not being used)
- **24-month warranty** (Terms and conditions apply)



Due to continuous product research and development, the information contained herein is subject to change without notice.

Revision: 01 - 24/08/2020 - A

www.stoddart.com.au

www.stoddart.co.nz