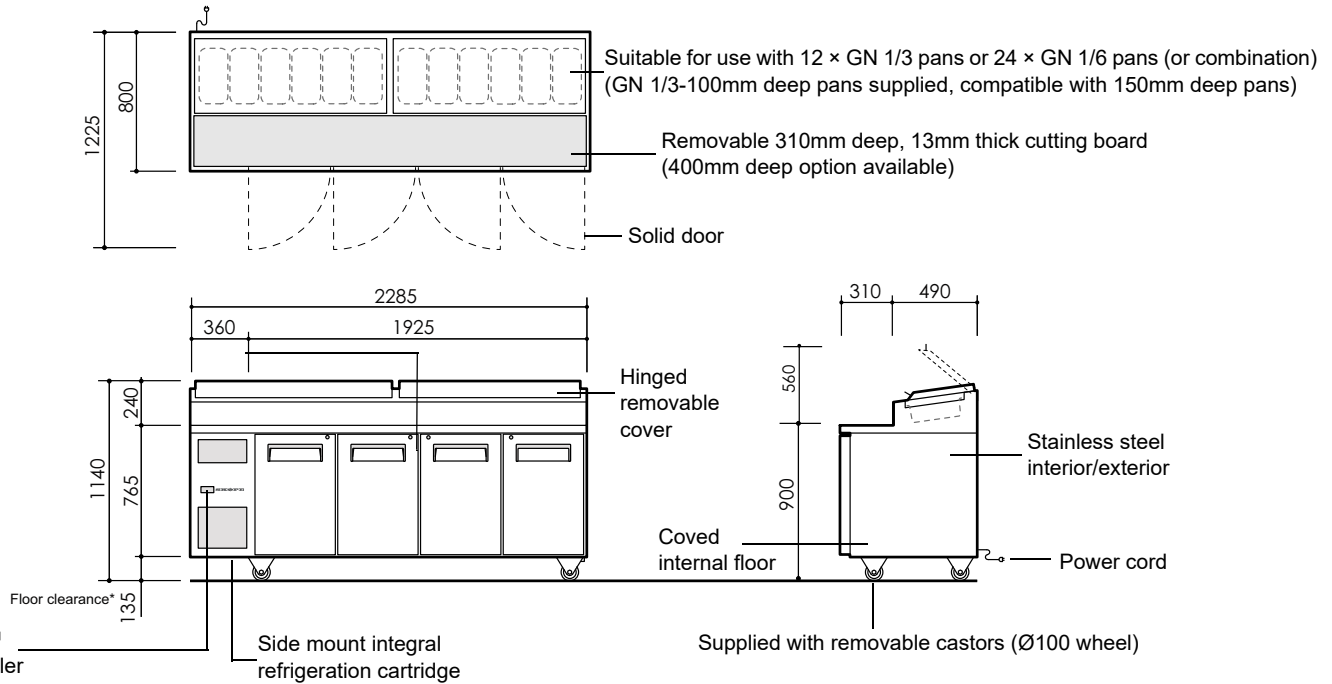


# specifications

## RF8.PPZ.4.SD

### ReFlex Series, 4 Door (Solid), Large Pizza Preparation Fridge

Project: \_\_\_\_\_  
Item No: \_\_\_\_\_



#### CABINET

Doors	4 x self-closing, lockable, solid swing doors with stay-open position at over 90°, hinged LH, LH, RH, RH
Internal door opening	4 x door openings: 590mm high x 370mm wide
Shelves	8 x adjustable height shelves. Middle shelves: 475mm wide x 610mm deep. Outer shelves: 415mm wide x 610mm deep. Each shelf is held in place with 4 x shelf clips. Additional shelf clips are available on request.
Worktop	Removable, food grade, 13mm plastic cutting board
Material	304 AISI stainless steel interior and exterior

#### PERFORMANCE

Max. ambient temperature	40°C (lid(s) closed), or 30°C (lid(s) open)
Temperature range	1°C to 5°C (adjustable with SKOPE-connect™ -2°C to 15°C)
Total energy consumption	5.83 kWh/24h (@ 30°C/55% relative humidity)
Annual running cost	\$639 p.a. (@ \$0.30/kWh)

#### ELECTRICAL

Electrical safety climate class	5 (40°C/40% relative humidity)
Interior lighting	3 x 400mm, 4W LED lights (door activated)
Power cord	2.7m, 10 Amp plug and lead
Power supply	220-240 Volts a.c. 50 Hz, single phase supply
Current draw	3.5 Amps (includes unit 2.2 Amps)

#### REFRIGERATION

Controller	SCS Connect (SKOPE-connect™ compatible)
Connectivity interface	Bluetooth® wireless technology
Refrigeration system	Side-mounted, integral, removable refrigeration cartridge (part number ULQCN1-0030)
Refrigerant	R290 / 90g (natural refrigerant)
Nominal capacity	900 Watts
Heat rejection (Avg./peak)	250 Watts/300 Watts
Drainage	No plumbing required in standard applications. If lids are left open for more than 4 hours per day, or venues have high or fluctuating ambient temperatures and humidity, SKOPE recommends connecting condensate to an in-floor drain.

#### DIMENSIONS

	External	Internal
Height	1140mm	605mm
Width	2285mm	1835mm
Depth	800mm	640mm
Floor area	1.83m <sup>2</sup>	
Weight	233kg	
Gross volume	710L	

#### Height variation

Supplied castors	1140mm
Supplied height adjustable legs	n.a.
No castors	1005mm

#### Dimensional tolerances

Before installing this cabinet allow the following dimensional tolerances:

Linear dimensions	Overall cabinet dimensions	
Less than 1 metre	±5mm	
More than 1 metre	-5mm to +10mm	
	Length of multiple cabinets	
	At each joint	At each end wall
Less than 1 metre	±5mm	+15mm
More than 1 metre	-5mm to +10mm	+15mm

#### Ventilation requirements

Top	Not required
Sides	Not required
Back	Not required
Bottom	Not required