



# Glo-Max® Curved Infrared Strip Heaters

**Models** | GM5AH-30/-36/-42/-48/-54/-66/-78  
GM5AHL-30/-36/-42/-48/-54/-66/-78

This stylish, patented design, based on our signature Glo-Max® strip heaters, is the perfect solution for your front-of-the-house applications. Superb for buffet and serving lines, the sleek curved design minimizes its size while accenting and warming the products below.

GM5AHL, with versatile LED lighting options, provides perfect coloring and coverage while lowering energy costs.

## • Features

- The entire holding surface is heated evenly with no “cold” spots, thanks to Hatco’s dependable infrared element technology
- 6 lengths are available: 762, 914, 1067, 1372, 1676, 1981 mm (30”~78”)
- GM5AHL has energy efficient dual LED lights across the entire strip heater which provides longer performance and energy savings (compared to standard incandescent bulbs)
- Remote box with power on/off switch (controls lights and heat) is included
- 2 housing color choices: clear anodized (standard) and black anodized
- Angle brackets are standard, non-adjustable tubular stands are an option
- GM5AHL has LED lights, GM5AH has no lights



**FSM** (FOOD SERVICE MACHINERY PTY. LTD.) **E: sales@fsm-pl.com.au** **W: www.fsm-pl.com.au**

**HEAD OFFICE:**  
21-23 Agosta Drive, Laverton North,  
VIC 3026 Australia  
T: +61 3 9368 2300

**SYDNEY OFFICE:**  
Unit 15, 7-9 Progress Circuit,  
Prestons, NSW 2170  
T: +61 2 9608 8620

**QUEENSLAND OFFICE:**  
4/40 Rivergate Place,  
Murarie, QLD 4172  
T: +61 7 3390 4185

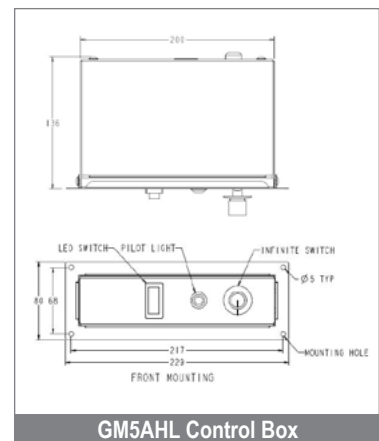
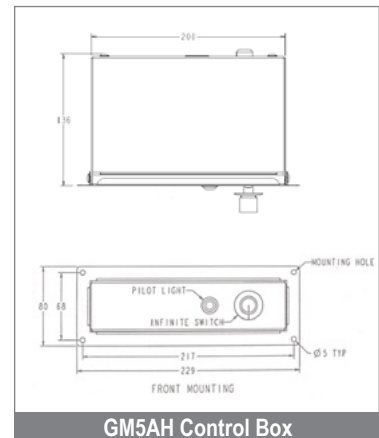
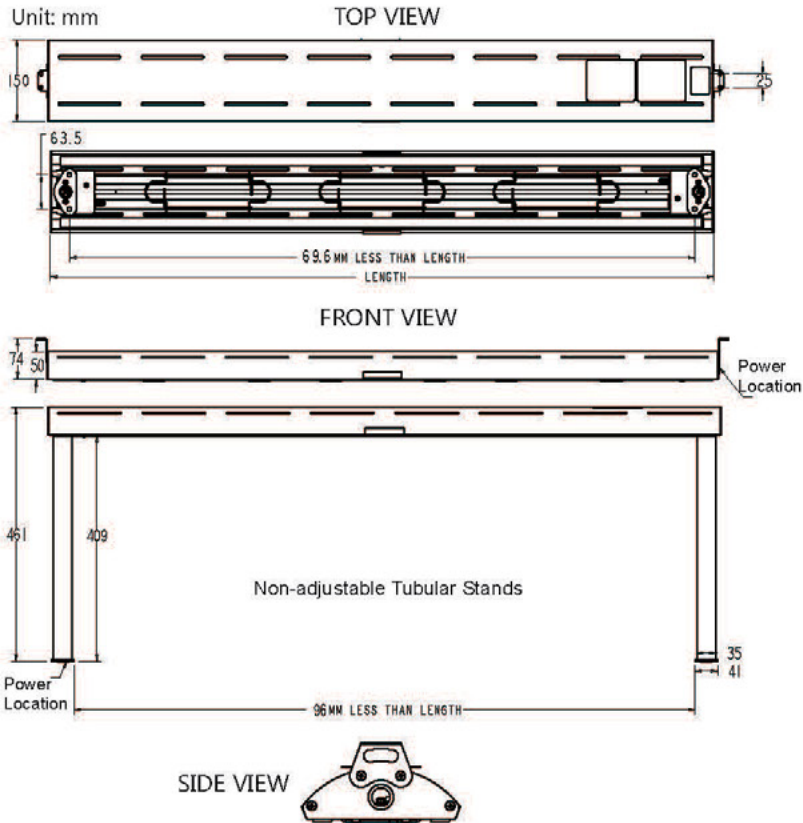
**PERTH:**  
T: 0413 893 311

**NEW ZEALAND OFFICE:**  
Unit 4/ 930 Great South Road,  
Penrose, Auckland 1061 New Zealand  
T: +64 21 423360  
E: croberts@fsm-pl.co.nz  
W: www.fsm-pl.co.nz

# GLO-MAX<sup>®</sup> Curved Infrared Strip Heaters



## Models: GM5AH/GM5AHL



### • Specification

CODE	VOLTAGE	WATTS	AMPS	DIMENSIONS	WEIGHT
GM5AH-30	230 ~ 240	606 ~ 660	2.8	762W x 150D x 50Hmm	5Kg
GM5AHL-30	230 ~ 240	606 ~ 660	2.8		6Kg
GM5AH-36	230 ~ 240	735 ~ 800	3.3	915W x 150D x 50Hmm	6Kg
GM5AHL-36	230 ~ 240	756 ~ 812	3.4		6Kg
GM5AH-42	230 ~ 240	872 ~ 950	4.0	1067W x 150D x 50Hmm	7Kg
GM5AHL-42	230 ~ 240	885 ~ 964	4.0		7Kg
GM5AH-48	230 ~ 240	1010~1100	4.6	1220W x 150D x 50Hmm	7Kg
GM5AHL-48	230 ~ 240	1025~1116	4.7		8Kg
GM5AH-54	230 ~ 240	1148 ~ 1250	5.2	1372W x 150D x 50Hmm	8Kg
GM5AHL-54	230 ~ 240	1163 ~ 1267	5.3		8Kg
GM5AH-66	230 ~ 240	1433 ~ 1560	6.5	1675W x 150D x 50Hmm	9Kg
GM5AHL-66	230 ~ 240	1450 ~ 1579	6.6		10Kg
GM5AH-78	230 ~ 240	1736 ~ 1890	7.9	1981W x 150D x 50Hmm	10Kg
GM5AHL-78	230 ~ 240	1754 ~ 1910	8.0		11Kg

Clear anodized is the standard housing color, black anodized is an option

Angle brackets are standard, non-adjustable tubular stands, 406 mm (16"), are an option

Warm LED light (3000K)

Power wire lead length is 1524 mm

**FSM** (FOOD SERVICE MACHINERY PTY. LTD.) E: [sales@fsm-pl.com.au](mailto:sales@fsm-pl.com.au) W: [www.fsm-pl.com.au](http://www.fsm-pl.com.au)

**HEAD OFFICE:**  
21-23 Agosta Drive, Laverton North,  
VIC 3026 Australia  
T: +61 3 9368 2300

**SYDNEY OFFICE:**  
Unit 15, 7-9 Progress Circuit,  
Prestons, NSW 2170  
T: +61 2 9608 8620

**QUEENSLAND OFFICE:**  
4/40 Rivergate Place,  
Murarie, QLD 4172  
T: +61 7 3390 4185

**PERTH:**  
T: 0413 893 311

**NEW ZEALAND OFFICE:**  
Unit 4/ 930 Great South Road,  
Penrose, Auckland 1061 New Zealand  
T: +64 21 423360  
E: [croberts@fsm-pl.co.nz](mailto:croberts@fsm-pl.co.nz)  
W: [www.fsm-pl.co.nz](http://www.fsm-pl.co.nz)