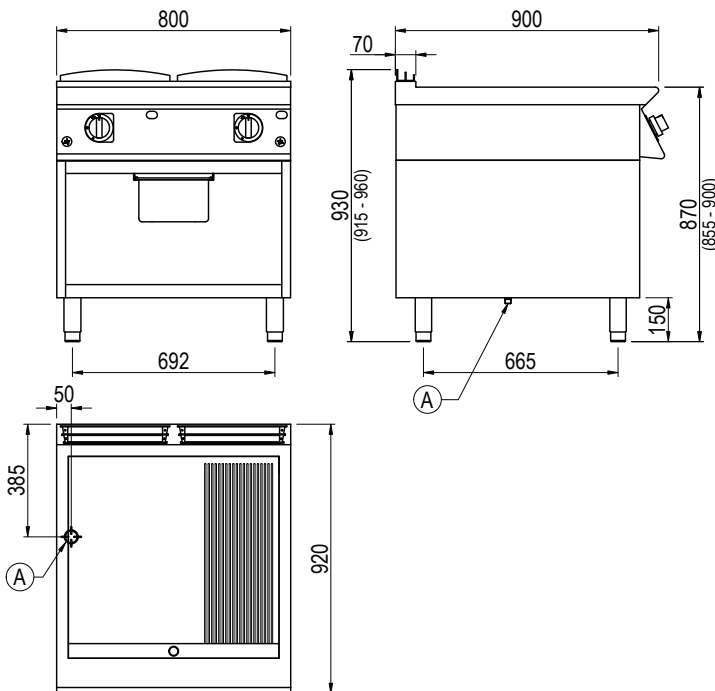




Product Information:

- Class leading, European style, professional quality and reliability since 1963
- 900 series, gas frytop with 2/3 smooth and 1/3 ribbed 12mm mild steel plate (64.8 MJ/h)
- Piezo ignition burners with flame failure device and pilot burner
- Temperature regulation via variable power flame control
- Robust 304 grade stainless steel construction with rounded corners for improved cleaning
- Hermetically sealed, pressed work surface with raised edges to protect from overflow
- Removable 1/2 GN grease tray
- Open base with optional doors savailable (SPGI.2016437)
- Height adjustable stainless steel feet for a 900mm working height
- 24-month warranty

General Drawing:



Specifications:

Model	FMG941GFT	
W x D x H (mm)	800 x 920 x 930	
Weight	175kg	
Cooktop (mm)	720 x 640	
Packed Dimensions (mm)	845 x 1025 x 1200	
Packed Weight (mm)	187kg	
Gas Connection	Natural 1/2" BSP	Universal LPG 1/2" BSP
Minimum Normal Test Gas Pressure	1.3 kPa	2.75 kPa
Maximum Normal Test Gas Pressure	3.5 kPa	3.5 kPa
Nominal Test Point Pressure	1.0 kPa	2.65 kPa
Total Nominal Gas Consumption	64.8 MJ/h	64.8 MJ/h

Note: It is the responsibility of the installing gas plumber to ensure correct supply and connection sustaining appropriate pressure, when all installed gas appliances are operating at maximum.

Legend:

A Gas Connection