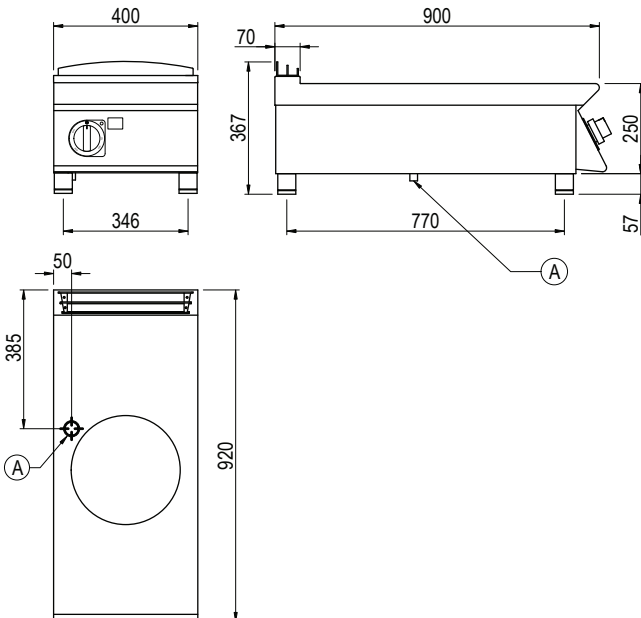




Product Information:

- Class leading, European style, professional quality and reliability since 1963
- 900 series, ceramic glass induction wok with single independent cooking zone (5.4kW)
- Constant power induction and heat generation activated by the automatic wok recognition when induction specific wok is placed on the cooktop
- Automatic shut off when wok is removed from the cooktop
- Precise heat transfer for shorter cook times and enhanced operator safety and comfort
- Independent temperature regulation via 6 position selectors
- Indicator light to monitor the correct operation of the appliance
- Robust 304 grade stainless steel construction with rounded corners for improved cleaning
- Compatible Wok (SPGI.5920010) and Wok ring set (SPGI2021656) sold separately
- 24-month warranty

General Drawing:



Specifications:

Model	CW920TT
W x D x H (mm)	400 x 920 x 367
Weight	50kg
Cooking Zone	Ø300mm
Packed Dimensions (mm)	450 x 1025 x 570
Packed Weight (mm)	57kg
Electrical Connection	3Ø + N + E 415VAC / 50Hz / 5.4kW

Legend:

A Electrical Connection

