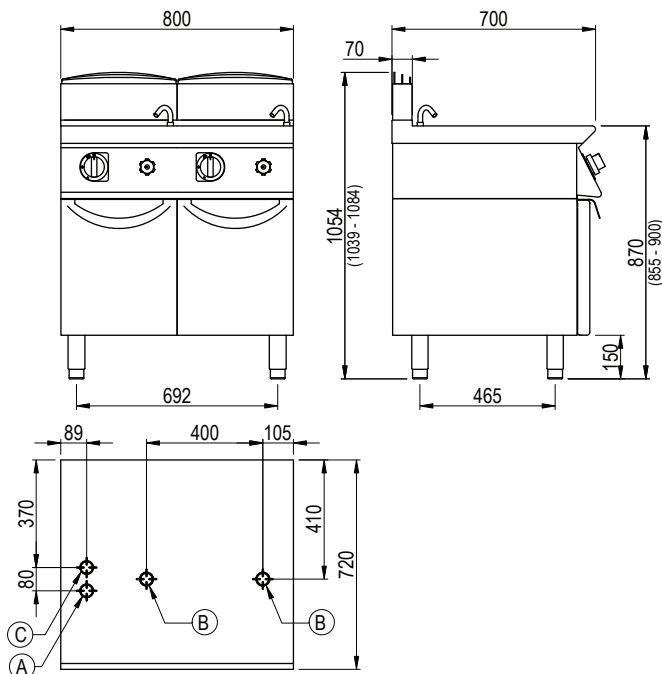




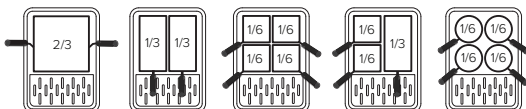
Product Information:

- Class leading, European style, professional quality and reliability since 1963
- 700 series, gas 2 x 26 litre, double tank pasta cooker (72 MJ/h)
- Piezo ignition burners with flame failure device and pilot burner
- Burners positioned external to the tank for ease of cleaning inside
- Temperature regulation via variable power flame control
- Low-water level safety switch to prevent operation when empty
- Manual water fill via integrated tap and spout with water drainage via concealed ball valve inside the base
- 316 grade stainless steel tanks (2x 340x310mm) for corrosion resistance
- Robust 304 grade stainless steel construction with rounded corners for improved cleaning
- Pressed top work surface with raised edges to protect from overflow
- Enclosed base with front access doors
- Height adjustable stainless steel feet for a 900mm working height
- Baskets and lids not included, sold separately (see below)
- 24-month warranty

General Drawing:



Basket configurations:



Specifications:

Model	CPG746T	
W x D x H (mm)	800 x 720 x 1054	
Weight	80kg	
Oil Capacity	2 x 26L	
Packed Dimensions (mm)	845 x 825 x 1200	
Packed Weight (mm)	90kg	
Gas Connection	Natural 1/2" BSP	Universal LPG 1/2" BSP
Minimum Normal Test Gas Pressure	1.3 kPa	2.75 kPa
Maximum Normal Test Gas Pressure	3.5 kPa	3.5 kPa
Nominal Test Point Pressure	1.0 kPa	2.65 kPa
Total Nominal Gas Consumption	72 MJ/h	72 MJ/h

Note: It is the responsibility of the installing gas plumber to ensure correct supply and connection sustaining appropriate pressure, when all installed gas appliances are operating at maximum.

Legend:

- A** Gas Connection
- B** Drain Connection 1" BSP
- C** Cold Water Connection 1/2" BSP

Accessories - Sold Separately

SPGI.2004151	Lid
SPGI.2003080	1/6 GN Round Basket
SPGI.2003045	1/6 GN Basket - right handle
SPGI.2003047	1/6 GN Basket - left handle
SPGI.2003046	1/3 GN Basket - left to right
SPGI.2003075	2/3 GN Basket
SPGI.2003077	1/3 GN Basket - front to back

Due to continuous product research and development, the information contained herein is subject to change without notice.

Revision: 01 - 25/01/2022 - A

www.stoddart.com.au

www.stoddart.co.nz

