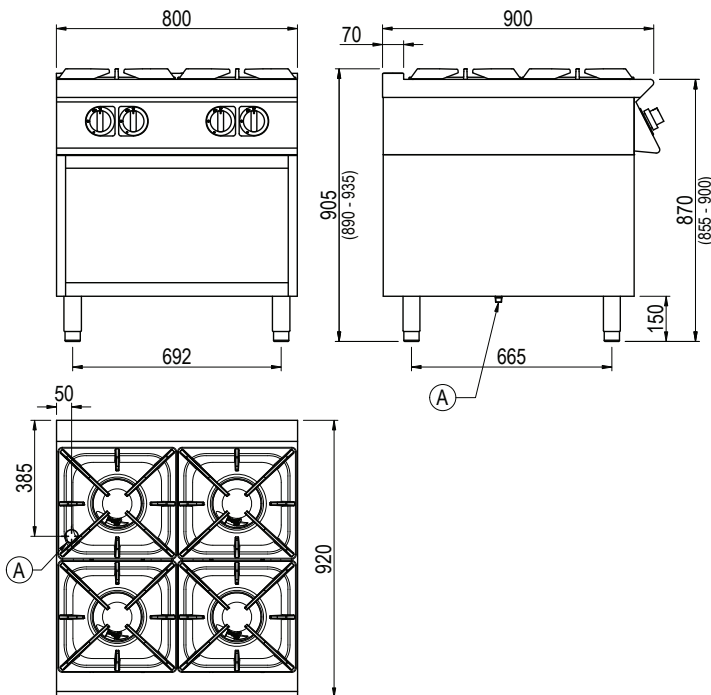




Product Information:

- Class leading, European style, professional quality and reliability since 1963
- 900 series, high performance open burners (4 x 36 MJ/h)
- Black enamelled cast iron trivets; acid, alkaline and flame resistant with extra long fingers to allow use with small and large pots
- Open burners complete with flame failure device and pilot burner, both heavily protected against accidental impact and overflows
- Open burner temperature regulation via variable power flame control
- Robust 304 grade stainless steel construction with rounded corners for improved cleaning
- Hermetically sealed, pressed work surface with raised edges to protect from overflow
- Open base with optional doors available (SPGI.2016437)
- Height adjustable stainless steel feet for a 900mm working height
- 24-month warranty

General Drawing:



Specifications:

Model	CG940GT	
W x D x H (mm)	800 x 920 x 905	
Weight	115kg	
Packed Dimensions (mm)	845 x 1025 x 1200	
Packed Weight (mm)	127kg	
Gas Connection	Natural	Universal LPG
Minimum Normal Test Gas Pressure	1/2" BSP 1.3 kPa	1/2" BSP 2.75 kPa
Maximum Normal Test Gas Pressure	3.5 kPa	3.5 kPa
Nominal Test Point Pressure	1.0 kPa	2.65 kPa
Total Nominal Gas Consumption	144 MJ/h	144 MJ/h

Note: It is the responsibility of the installing gas plumber to ensure correct supply and connection sustaining appropriate pressure, when all installed gas appliances are operating at maximum.

Legend:

A Gas Connection