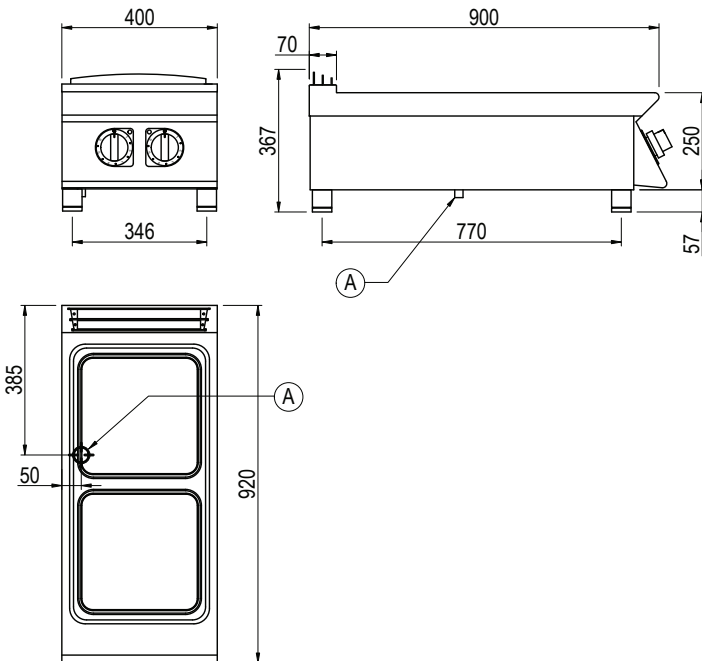




**Product Information:**

- Class leading, European style, professional quality and reliability since 1963
- 900 series, electric boiling top with square hot plates (2 x 4.32kW)
- Temperature regulation via 6 position selector
- Indicator lights to monitor the correct operation of the appliance
- Robust 304 grade stainless steel construction with rounded corners for improved cleaning
- Hermetically sealed, pressed work surface with raised edges to protect from overflow
- 24-month warranty

**General Drawing:**



**Specifications:**

Model	CE92QTT
W x D x H (mm)	400 x 920 x 367
Weight	45kg
Hot Plates	2 x (300x300mm)
Packed Dimensions (mm)	450 x 1025 x 570
Packed Weight (mm)	52kg
Electrical Connection	3Ø + N + E 415VAC / 50Hz / 8.64kW

**Legend:**

A Electrical Connection

