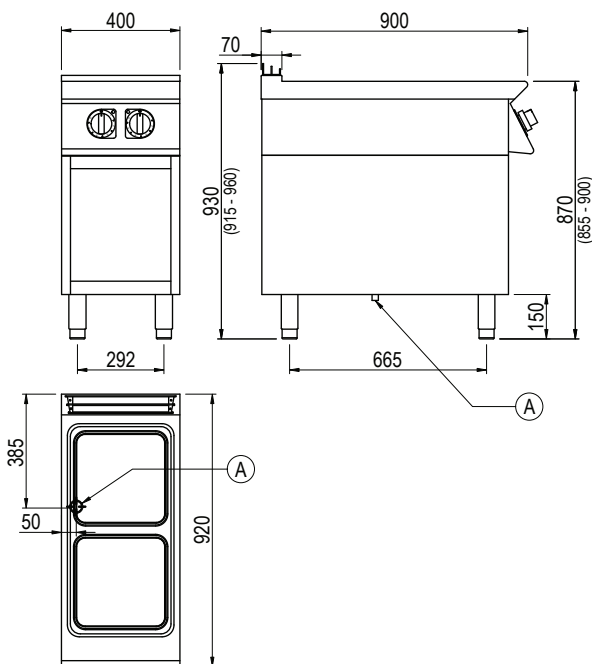




Product Information:

- Class leading, European style, professional quality and reliability since 1963
- 900 series, electric boiling top with square hot plates (2 x 4.32kW)
- Temperature regulation via 6 position selector
- Indicator lights to monitor the correct operation of the appliance
- Robust 304 grade stainless steel construction with rounded corners for improved cleaning
- Hermetically sealed, pressed work surface with raised edges to protect from overflow
- Open base with optional door available (SPGI.2016437)
- Height adjustable stainless steel feet for a 900mm working height
- 24-month warranty

General Drawing:



Specifications:

Model	CE92QGT
W x D x H (mm)	400 x 920 x 930
Weight	67kg
Hot Plates	2 x (300x300mm)
Packed Dimensions (mm)	450 x 1025 x 1200
Packed Weight (mm)	74kg
Electrical Connection	3Ø + N + E 415VAC / 50Hz / 8.64kW

Legend:

A Electrical Connection

