



**Assembly, Installation, Operation and
Maintenance Instructions
Full Replacement Front Bumper**

**Part Number:
FX3028**

240 minutes

Dealer / Installer: Provide a copy of these instructions to the end user of this product. These instructions provide important operating and safety information for proper usage of this product. Demonstrate the proper use of the product with the end user. Have the end user demonstrate that they understand the proper use of the product.

End User: Read and follow all instructions included in this manual. Ask your Dealer / Installer for assistance if you do not understand the proper use of the product. Never remove any decals from the product. Failure to follow these instructions can result in injury or death.

⚠️ WARNING ⚠️

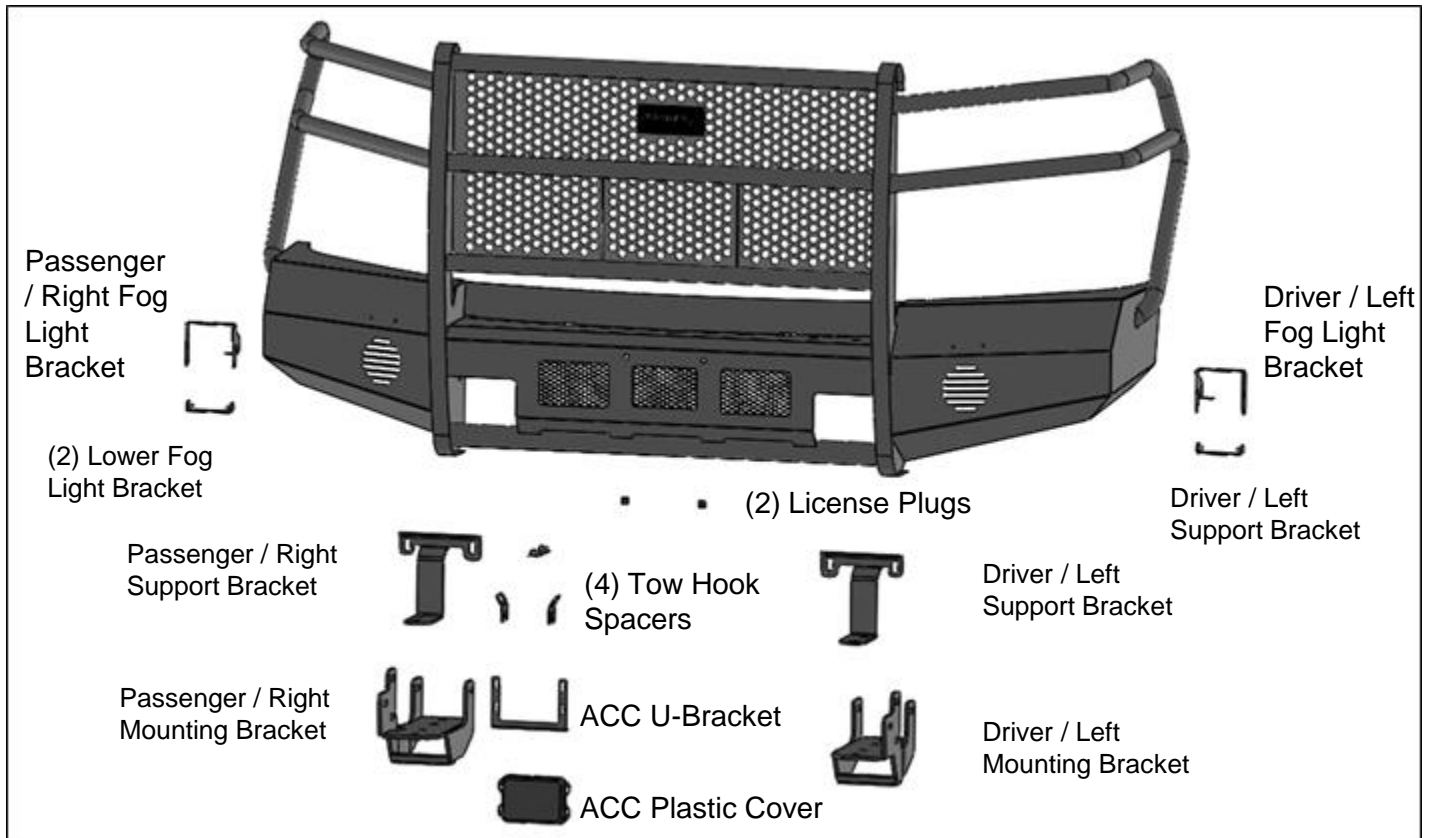
APPLICATION: 2015 – 2017 Ford F150

PARTS LIST:

Qty	Part Description	Qty	Part Description
1	Full Replacement Front Bumper	10	12mm Hex Nuts
1	Driver/Left Mounting Bracket	2	12mm Nylon Lock Nuts
1	Passenger/Right Mounting Bracket	2	8mm x 25mm Button Head Bolts
1	Driver/Left Support Bracket	2	8mm x 20mm Hex Bolts
1	Passenger/Right Support Bracket	8	8mm x 24mm OD x 2mm Flat Washers
1	Driver/Left Upper Light Bracket	2	8mm Lock Washers
1	Passenger/Right Upper Light Bracket	4	8mm Hex Nuts
2	Lower Light Brackets	2	8mm Nylon Lock Nuts
1	ACC Plastic Cover	3	6mm x 25mm Button Head Bolts
1	ACC Relocation Bracket	4	6mm x 16mm Hex Bolts
4	Tow Hook Spacers	3	6mm x 18mm OD x 1.6mm Flat Washers
2	License Plate Plugs	4	6mm x 12mm OD x 1.6mm Flat Washers
2	12mm Double Nut Plates	7	6mm Lock Washers
2	12mm x 170mm Hex Bolts	3	6mm Hex Nuts
14	12mm x 50mm Hex Bolts	1	5mm Hex Wrench
28	12mm x 27mm OD x 3mm Flat Washers	1	4mm Hex Wrench
14	12mm Lock Washers	1	2.5mm Hex Wrench

Torque Specs

12mm	70 ft/lbs
8mm	20 ft/lbs
6mm	102 in/lbs
5mm	54 in/lbs
4mm	27 in/lbs
Factory	See Mfg.



INSTALLATION PROCEDURE:

REMOVE CONTENTS FROM BOX. VERIFY ALL PARTS ARE PRESENT. READ INSTRUCTIONS CAREFULLY BEFORE STARTING INSTALLATION. ASSISTANCE IS RECOMMENDED TO AVOID POSSIBLE INJURY OR DAMAGE TO THE VEHICLE.

1. Remove the license plate and bracket. On models with factory fog lights, unplug both lights and remove the complete light assemblies from back of bumper, **(Figure 1)**. Release the wiring harness from the clips attached to the back of the bumper. Move all wiring harnesses away from bumper.
2. Next, remove the plastic bumper pad assembly, **(Figure 2)**. **NOTE:** Release metal clips from back of bumper to remove bumper pad assembly. It may be easier to access bumper hardware with plastic air dam removed from bottom of bumper.
3. Place blocks or jack stands under the front bumper to support it during mounting bolt removal. Once the bumper has been safely supported, remove the large hex nut from the back of each bumper bracket, **(Figure 3)**. Next, from the front of the bumper, remove the (2) factory hex nuts attaching the bumper to each bumper bracket, **(Figure 4)**. **WARNING!** Assistance is required to hold the bumper in place during bolt removal to prevent the bumper from falling. Carefully slide the bumper off over the tow hooks.
4. Remove the driver side tow hook, (if equipped), from the bottom of the frame, **(Figure 5)**. Also, remove the factory double bolt plate. Repeat to remove the passenger side bolt plate and tow hook if equipped.
5. Next, select the Driver/Left Mounting Bracket. Insert (1) 12mm Double Nut Plate into the open end of the frame, **(Figure 5)**. On models with tow hook reuse the factory double nut plate, **(Figure 5)**. Attach the Mounting Bracket to the bottom of the frame and Double Nut Plate with (2) 12mm x 50mm Hex Bolts, (2) 12mm Lock Washers and (2) 12mm Flat Washers, **(Figure 6)**. Do not tighten hardware.

INSTALLATION PROCEDURE CONTINUED:

6. Select the Driver/Left Support Bracket, **(Figure 7)**. Attach the Support Bracket to the top of the Mounting Bracket with (2) 12mm x 50mm Hex Bolts, (4) 12mm Flat Washers, (2) 12mm Lock Washers and (2) 12mm Hex Nuts, **(Figure 7)**. **NOTE:** For models equipped with tow hooks, attach the tow hooks to the center of the Mounting Bracket with the Support Bracket. Insert the factory double bolt plate through the Support Bracket and bumper flange, **(Figure 8)**. Reuse the factory nuts to secure the Support Bracket to the factory bolt plate. Do not tighten hardware.
7. Insert (1) 12mm x 175mm Hex Bolt with (1) 12mm Flat Washer through the outside of the mounting tab on the Mounting Bracket, through the frame and inside tab. Secure with (1) 12mm Flat Washer and (1) 12mm Nylon Lock Nut. Insert (1) Spacer down between each mounting tab and the side of the frame, **(Figure 9)**. Do not fully tighten hardware.
8. Repeat **Steps 5—7** to attach the Passenger/Right Bracket assembly.
9. Determine if vehicle is equipped with an adaptive cruise control, (ACC). **NOTE:** attach the ACC assembly onto Bumper before mounting Bumper to end of frame.

Vehicles with ACC:

- a. Select the ACC Plastic Cover and the ACC Relocation Bracket, **(Figure 10)**. Insert (3) 6mm Button Head Bolts through the (3) holes on the ACC Plastic Cover, the Relocation Bracket and out through the adaptive cruise control. Secure with (3) 6mm Flat Washers, (3) 6mm Lock Washers and (3) 6mm Hex Nuts, **(Figure 10)**. **NOTE:** To prevent the Plastic Cover from tearing, do not over tighten Button Head Bolts.
- b. Attach the ACC assembly to the top of the Bumper (2) 8mm Button Head Bolts, (4) 8mm Flat Washers, (2) 8mm Lock Washers and (2) 8mm Hex Nuts, **(Figure 11)**.
- c. Tighten all ACC hardware and continue to **Step 10**.

10. Models with factory fog lights:

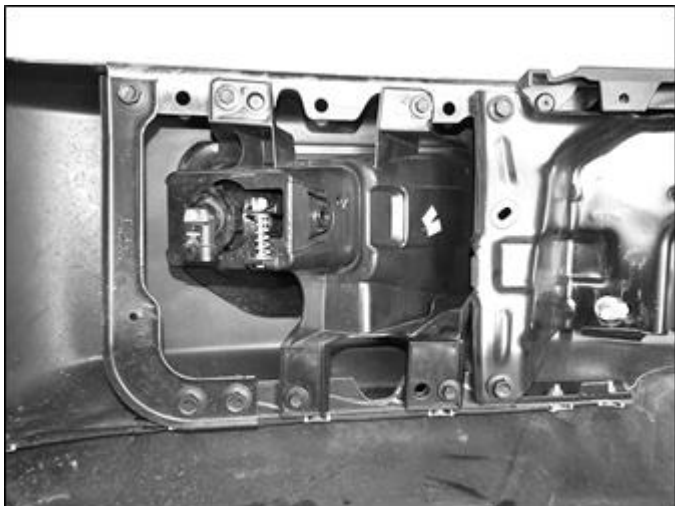
- a. Use a flat blade screwdriver to carefully pop out the tabs on the side of the fog light bracket attaching the light to the bracket, **(Figure 1)**. Pop the light out of the plastic bracket housing.
- b. Remove the adjustment screw and spring from the light assembly.
- c. Select the Driver/Left Upper Light Bracket, **(Figure 12)**. Attach the Bracket to the slot in the light opening with (1) 8mm x 20mm Hex Bolt, (2) 8mm Flat Washers and (1) 8mm Nylon Lock Nut, **(Figure 12)**.
- d. Carefully spread the sides of the Bracket enough to slide the OE plastic fog light between and into the Bracket, **(Figure 13)**. Select (1) Lower Light Bracket. Attach the Lower Bracket to the Upper Bracket with (2) 6mm x 16mm Hex Bolts, (2) 6mm Lock Washers and (2) 6mm x 12mm Small Flat Washers, **(Figure 14)**.
- e. Insert the factory spring between the tab on the Bracket and the light. Insert the screw through the tab, spring and into the fog light, **(Figure 14)**.
- f. Repeat to install the passenger/right fog light.

11. With assistance, position the Bumper Assembly to the outsides of the Mounting Brackets. Temporarily support the weight of the Bumper. **WARNING:** To avoid possible injury or damage to the vehicle, do not proceed until the bumper is fully and safely supported.
12. Attach the Bumper to the Frame Brackets with (6) 12mm x 50mm Hex Bolts, (12) 12mm Flat Washers, (6) 12mm Lock Washers and (6) 12mm Hex Nuts, **(Figure 15)**. Do not tighten hardware.
13. Level and adjust the bumper and fully tighten all hardware to 65-70ft-lbs. **NOTE:** If additional in-out adjustment is required, loosen Frame Bracket Hardware, slide the Bracket in or out as necessary Reattach the wiring harness. Adjust lights as necessary and tighten all fog light bracket hardware.
14. On models with grille mounted factory camera, remove the center screen.
15. and fully tighten all hardware.

INSTALLATION PROCEDURE CONTINUED:

16. Use the included (2) push-in plastic nuts to attach the front license plate, (if required), to the (2) holes in the front bumper, **(Figure 16)**.
17. Do periodic inspections to the installation to make sure that all hardware is secure and tight.

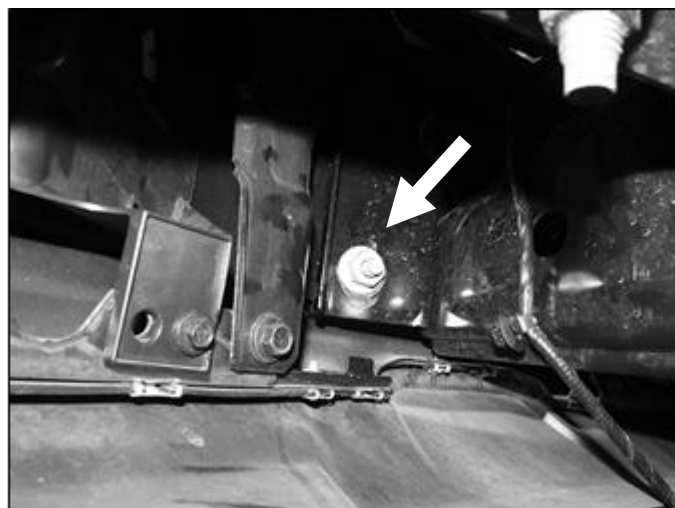
INSTALLATION PROCEDURE IMAGES:



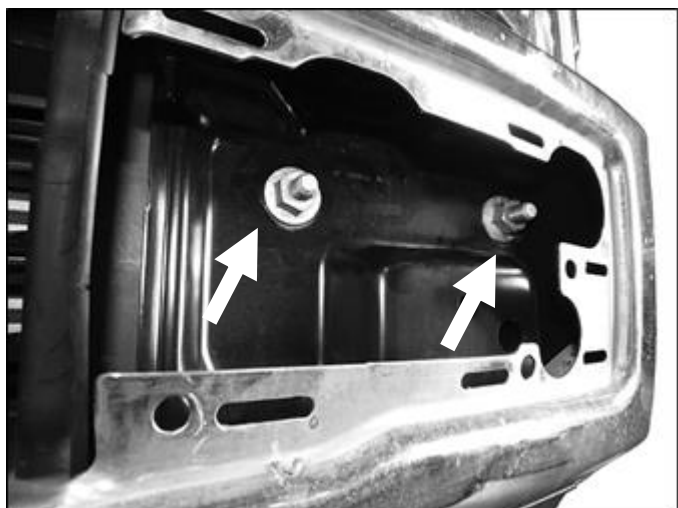
(Fig 1) Remove fog light assembly from bumper



(Fig 2) Remove license plate. From behind bumper, release metal clips attaching plastic bumper pad to the bumper



(Fig 3) Remove factory hex nut (arrow) from back of bumper bracket



(Fig 4) Remove (2) factory hex nuts from each side

INSTALLATION PROCEDURE IMAGES CONTINUED:

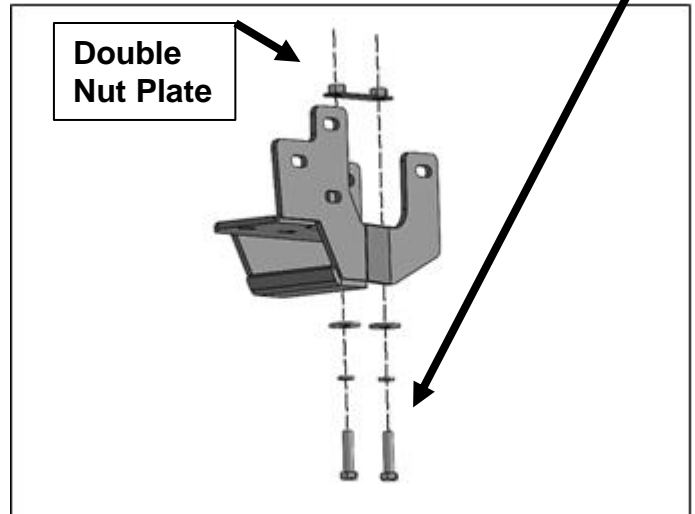
Remove factory double bolt plate from back of bumper bracket



(Fig 5) Reuse factory double nut plate (models with tow hooks) or insert included Double Nut Plate into end of frame

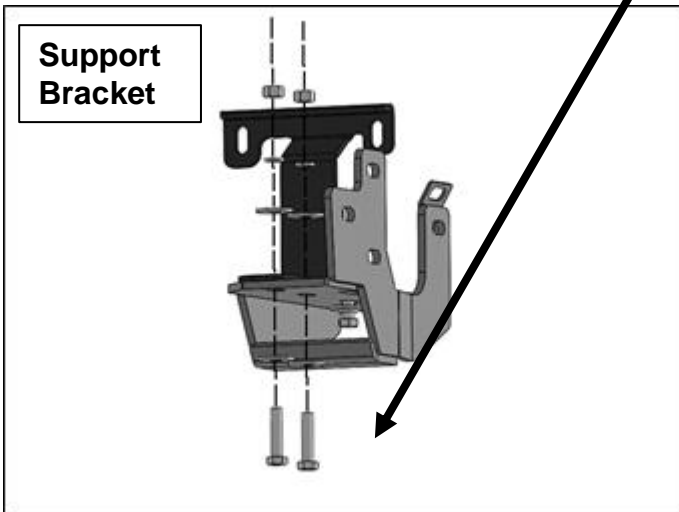
WARNING! To reduce the risk of injury or damage to the vehicle, do not crawl under bumper unless it is properly supported on blocks or stands or the bumper may fall.

(2) 12mm x 50mm Hex Bolts
(2) 12mm Lock Washers
(2) 12mm Flat Washers

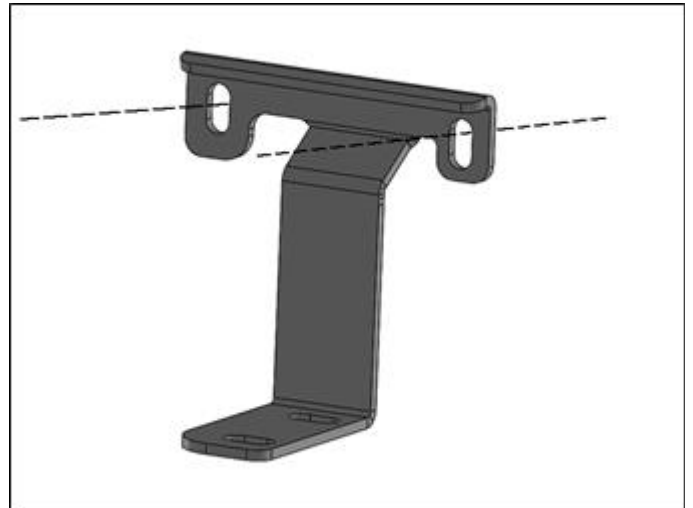


(Fig 6) Slide Bracket assembly over end of frame. Attach assembly to Double Nut Plate in frame (Fig 5)

(2) 12mm x 50mm Hex Bolts
(4) 12mm Flat Washers
(2) 12mm Lock Washers
(2) 12mm Hex Nuts



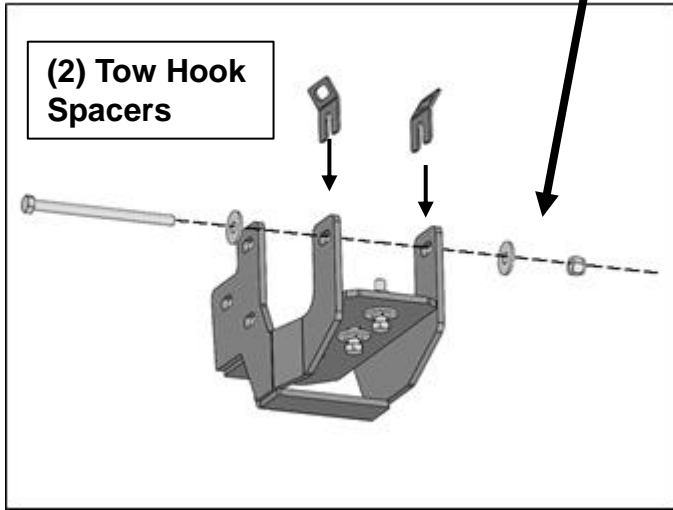
(Fig 7) Attach Support Bracket to top of Bracket Assembly and factory tow hook (if equipped) to the center of the Mounting Bracket



(Fig 8) Reuse factory double bolt plate and hex nuts to attach Support Bracket to the frame

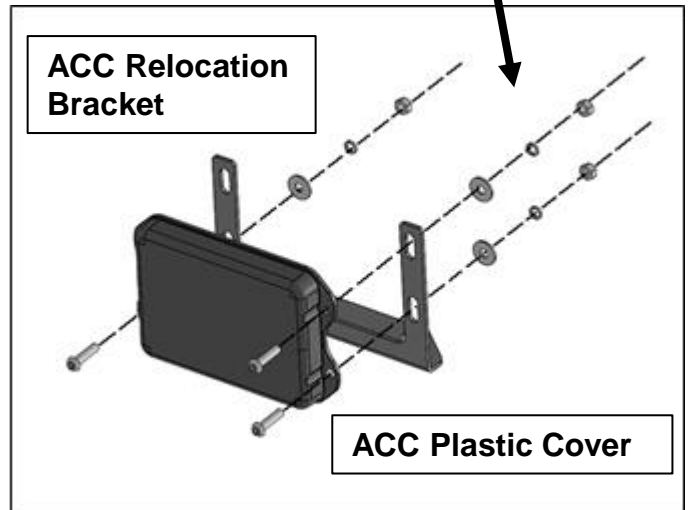
INSTALLATION PROCEDURE IMAGES CONTINUED:

- 12mm x 175mm Long Hex Bolt
- (2) 12mm Flat Washers
- 12mm Nylon Lock Nut



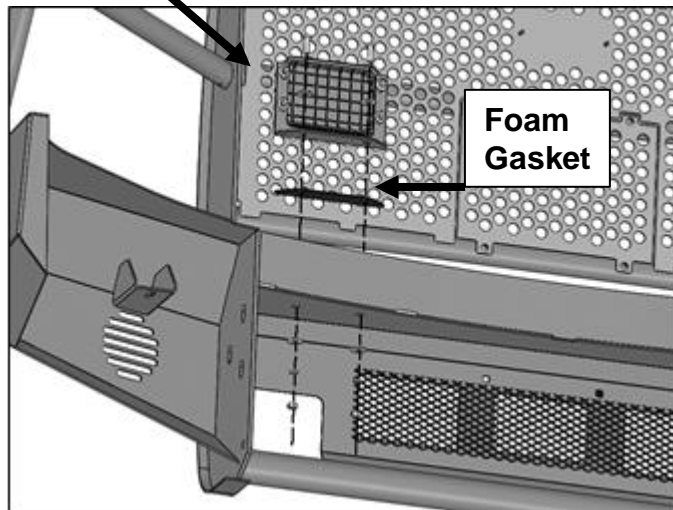
(Fig 9) Insert Spacers between tabs on Bracket assembly and sides of frame

- (3) 6mm Button Head Bolts
- (3) 6mm x 18mm Flat Washers
- (3) 6mm Lock Washers
- (3) 6mm Hex Nuts



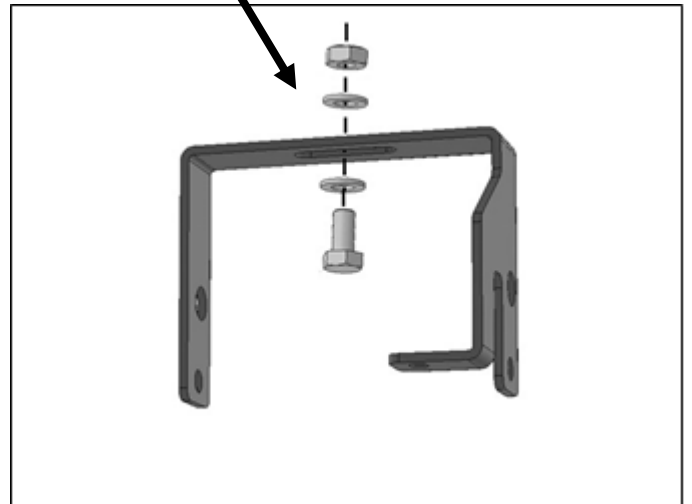
(Fig 10) Adaptor Cruise Control, (ACC) assembly illustrated

- (2) 8mm x 20mm Hex Bolts
- (4) 8mm Flat Washers
- (2) 8mm Lock Washers
- (2) 8mm Hex Nuts



(Fig 11) Attach the ACC assembly to the top of the Bumper

- 8mm x 20mm Hex Bolt
- (2) 8mm Flat Washers
- 8mm Nylon Lock Nut



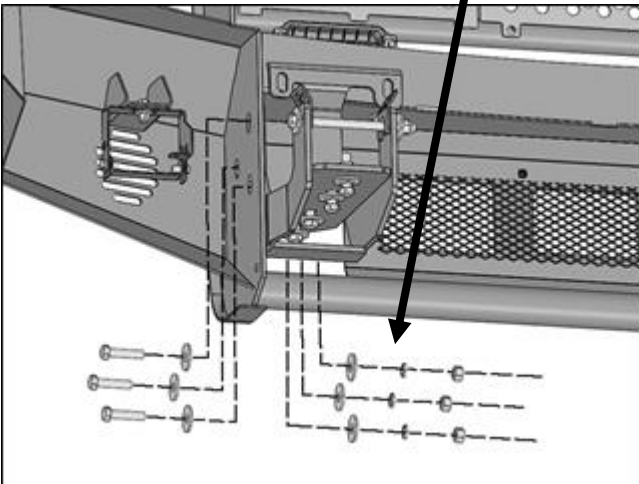
(Fig 12) Optional OEM fog light installation (light not included). Attach driver/left Upper Bracket to the slot in top of the opening

INSTALLATION PROCEDURE IMAGES CONTINUED:



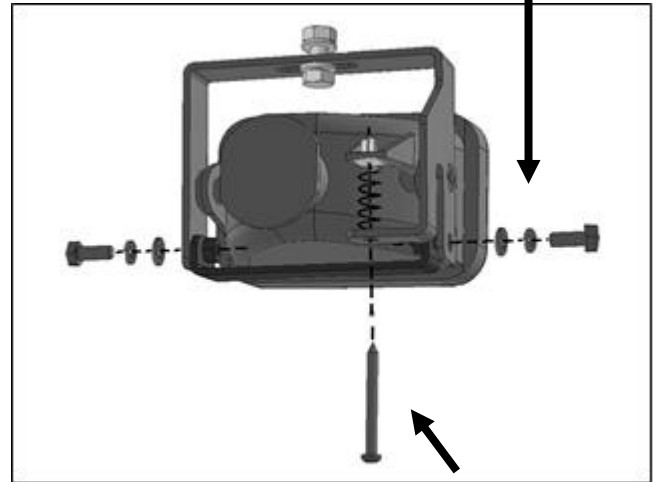
(Fig 13) Carefully spread sides to slide OEM fog light into position in pivot holes

- (3) 12mm x 50mm Hex Bolts**
- (6) 12mm Flat Washers**
- (3) 12mm Lock Washers**
- (3) 12mm Hex Nuts**

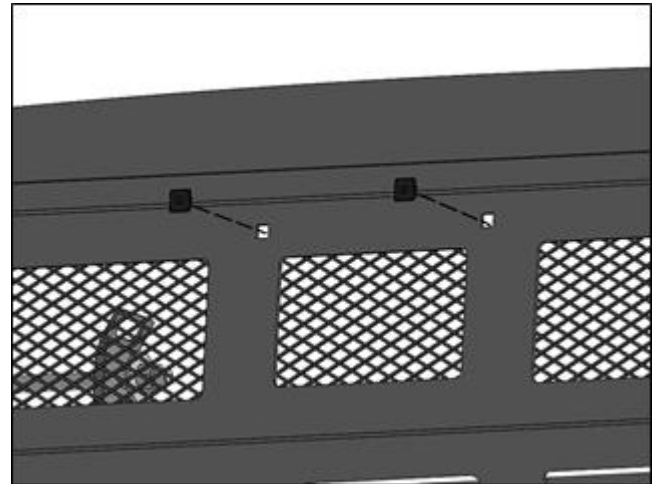


(Fig 15) Attach Bumper to Bracket Assembly

- 6mm x 16mm Hex Bolt**
- 6mm Lock Washer**
- 6mm x 12mm Flat Washer**



(Fig 14) Attach lower U Bracket to Upper Bracket. Reuse factory adjustment hardware (screw, spring and plastic nut)



(Fig 16) Push plastic plugs into holes in Bumper for license plate if required

Installation is now complete, check all hardware is tightened and torqued to spec.

PRODUCT CARE:

- Periodically check the product to ensure all fasteners are tight and components are intact.
- Use ONLY Non-Abrasive automotive wax. Use of any soap, polish or wax that contains an abrasive is detrimental and can scratch the finish leading to corrosion.
- Mild soap may be used to clean the Black finish product.

FAQ'S

- **Hardware and mounting brackets are not aligning properly**
 - Ensure that hardware is being used on the correct side of the vehicle. In some cases, the hardware may appear same for driver or passenger side but may alter the alignment of mounting location. Check mounting brackets for both sides.
- **Products are thumping / rattling after installation**
 - Ensure that all required mounting brackets / hardware's are installed & tighten correctly. Suggest using white lithium / regular grease between metal-to-metal contact.
- **Missing / Excess Hardware**
 - Recheck hardware count as per the part list.
- **Product not installing properly**
 - Ensure the Year / Make / Model as well as cab and bed dimensions are correct for the application. Review all steps for installation to ensure they were followed correctly.
- **Who should be contacted for questions regarding product / installation assistance?**
 - www.trailfx.com / support@trailfx.com 1-(866) 638-4870

Warranty Terms:

3 Year Limited Warranty:

TrailFX and Keystone Automotive Operations Inc. make no guarantees or warranties for products not manufactured by Keystone Automotive Operations Inc. Such products are covered solely under any applicable warranty of the manufacturer. It is always recommended that the operating instructions and warranty instructions provided by the manufacturer are followed.

Keystone Automotive Operations Inc. warrants its products to be free from manufacturing and material defects to the original purchaser for the length of warranty stated above from the date of retail purchase. If any products are found to have a manufacturing or material defect, the product will be replaced or repaired at the option of TrailFX and Keystone Automotive Operations Inc. with proof of purchase by the original purchaser. The original purchaser shall pay all transportation and shipping costs associated with the return of the defective product and the defective product shall become the property of Keystone Automotive Operations Inc.

The Warranty applies to Keystone Automotive Operations Inc. products used for individual and recreational purposes. Commercial usage of the Keystone Automotive Operations Inc. products limits the warranty to 90-days from date of purchase.

The Warranty applies only to Keystone Automotive Operations Inc. products which are found to be defective in manufacturing or material. This warranty does not apply to normal wear and tear of the finish placed on Keystone Automotive Operations Inc. products.

TrailFX and Keystone Automotive Operations Inc. are not responsible for any labor costs incurred for removal or replacement of the defective product.

TrailFX and Keystone Automotive Operations Inc. are not responsible for repair or replacement of any product under the limited warranty where the product was improperly installed, misapplied, altered, abused, neglected, overloaded, misused or damaged as a result of an accident, including any use of the product not in accordance with all product operating and safety instructions.

Without limiting the generality of the foregoing, TrailFX and Keystone Automotive Operations Inc. shall under no circumstances be liable for any incidental or consequential loss or damage whatsoever arising out of, or in any way relating to any such breach of warranty or claimed defect in, or non-performance of the products. Some states do not allow the exclusion or limitation of incidental or consequential damages, so the above exclusion or limitation may not apply to you.

This limited warranty gives you specific legal rights, and you may also have other rights that vary from state to state.