



**Assembly, Installation, Operation and
Maintenance Instructions
Full Replacement Front Bumper**

**Part Number:
FX3026**

240 minutes

Dealer / Installer: Provide a copy of these instructions to the end user of this product. These instructions provide important operating and safety information for proper usage of this product. Demonstrate the proper use of the product with the end user. Have the end user demonstrate that they understand the proper use of the product.

End User: Read and follow all instructions included in this manual. Ask your Dealer / Installer for assistance if you do not understand the proper use of the product. Never remove any decals from the product. Failure to follow these instructions can result in injury or death.

⚠️ WARNING ⚠️

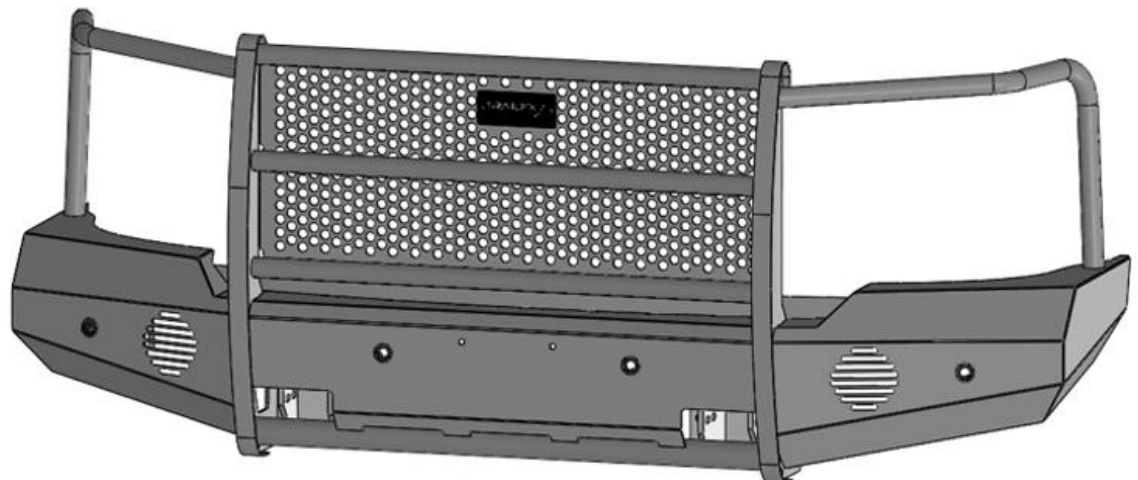
APPLICATION: 2014 – 2018 CHEVROLET SILVERADO 1500

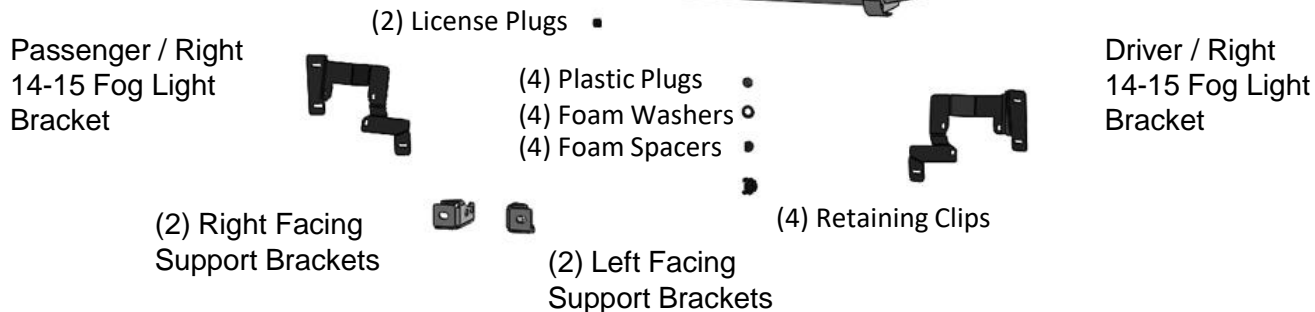
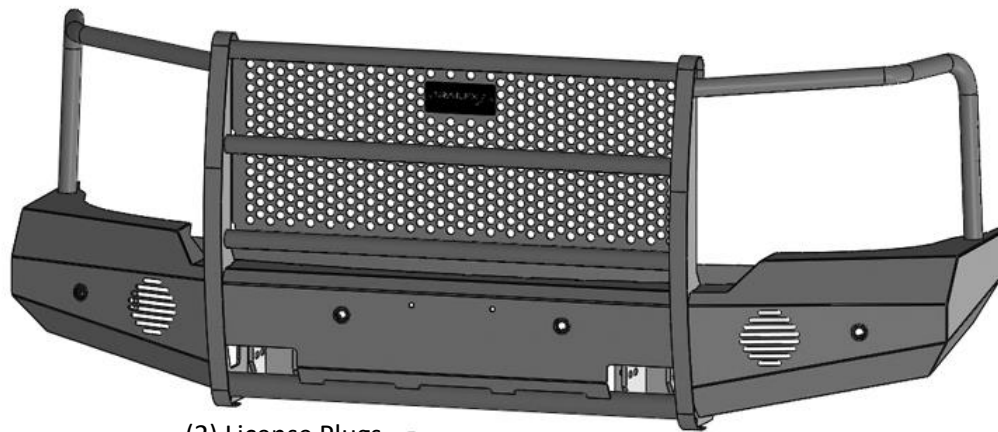
PARTS LIST:

Qty	Part Description	Qty	Part Description
1	Elevation Bull Nose Front Bumper	2	12mm Double Bolt Plates
2	Left Support Brackets	2	12mm Single Bolt Plates
2	Right Support Brackets	2	12-1.75mm x 130mm Hex Bolts
1	Driver/left 14-15 Fog Light Adapt Bracket	4	12-1.75mm x 50mm Hex Bolts
1	Passenger/right 14-15 Fog Light Adapt Bracket	14	12mm x 32mm OD x 3mm Flat Washers
2	Plastic Plugs for License Plate	10	12mm Nylon Lock Nuts
4	Retaining Caps	8	6-1.0mm x 30mm Hex Bolts
4	20mm x 10mm Foam Spacers	16	6mm x 18mm x 1.6mm Flat Washers
4	15.5mm x 25mm OD x 2mm Foam Washers	8	6mm Nylon Lock Nuts
4	Plastic Sensor Covers	8	4mm x 15mm Button Head Screws
1	Sensor Covers Kit		

Torque Specs

14mm	112 ft/lbs
12mm	70 ft/lbs
6mm	102 in/lbs
5mm	54 in/lbs
4mm	27 in/lbs
Factory	See Mfg.





INSTALLATION PROCEDURE:

REMOVE CONTENTS FROM BOX. VERIFY ALL PARTS ARE PRESENT. READ INSTRUCTIONS CAREFULLY BEFORE STARTING INSTALLATION. ASSISTANCE IS RECOMMENDED TO AVOID POSSIBLE INJURY OR DAMAGE TO THE VEHICLE.

1. Remove the license plate and bracket. Unplug any wiring harnesses leading to the front bumper. **(Figure 1)**. Move all wiring harnesses away from bumper.
2. Next, on **2014-15 models only (2016-18 models skip to Step 3)**:
 - a. Remove the screws from the ends of the plastic body panel, (facia), on top of the bumper between the bottom of the grille and the top of the bumper, **(Figure 2)**. From behind the bumper, release the clips from the center and carefully remove the fascia panel.
3. Open the hood and remove the cover between the top of the radiator and the grille, **(Figure 3)**. Remove the bolts attaching the bottom of the grille to the cross member and carefully remove the grille.
4. Remove the outer bumper supports connecting the bumper to the side of the frame.
5. Place blocks or jack stands under the front bumper to support it during mounting bolt removal. Once the bumper has been safely supported, from above, remove the factory bumper bolts attaching the bumper to the inner bumper bracket bolted to the end of the frame, **(Figure 4)**. **WARNING!** Assistance is required to hold the bumper in place during bolt removal to prevent the bumper from falling. Slide the bumper assembly with brackets off of the frame.
6. Reinstall the grille and top cover removed in **Step 2**. Do not reinstall the fascia on **2014-15** models.
7. Remove both bumper brackets and tow hooks from the end of the frame, **(Figures 4 & 5)**.

INSTALLATION PROCEDURE CONTINUED:

8. Select (1) Left Facing and (1) Right Facing Support Bracket. Starting on the driver/left side, attach the Right Facing Support Bracket to the inner facing side of the frame with (1) 12mm Double Bolt Plate, (2) 12mm Flat Washers and (2) 12mm Nylon Lock Nuts, **(Figures 6 & 7)**. Next, attach (1) Left Facing Support Bracket to the outer facing side of the frame with (1) 12mm Single Bolt Plate, (1) 12mm Flat Washer and (1) 12mm Nylon Lock Nut, **(Figures 6 & 8)**. Do not tighten hardware at this time. Repeat this Step to attach the Support Brackets to the passenger/right side of the frame.
9. Determine if vehicle is equipped with parking sensors in the factory bumper. **NOTE:** Sensors must be installed before installing Bumper Assembly.
Models without bumper sensors:
 - a. Select the included (4) Plastic Covers.
 - b. From the front of the Bumper, push Covers into sensor mounting holes, **(Figure 9)**.**Models with bumper mounted sensors:**
 - a. Remove the sensors and wiring harness from the factory bumper.
 - b. Remove the factory sealing washer from the end of the sensor. Attach the provided Foam Washer to the front of the sensor, **(Figure 10)**.
 - c. Push the sensor in from the back of the Bumper until it is flush with the Bumper face. Attach (1) Foam Spacer to (1) Retaining Cap. Push the Retaining Cap into the sensor mount to secure the sensor in place, **(Figure 11)**.
 - d. Repeat the previous Steps for the remaining sensors.
 - e. Attach factory wiring harness to Bumper.
10. **Models with fog lights:**
2014-15 Models
 - a. Select the driver/left 2014-15 Light Adapter Bracket, **(Figure 12)**.
 - b. Slide the tabs on the driver/left fog light into the Bracket. Push the attaching posts into the mounting holes in the Bracket, **(Figure 12)**.
 - c. Attach Bracket with light to the mounting tabs on the back of the Bumper with (3) 6mm x 30mm Hex Bolts, (6) 6mm Flat Washers and (3) 6mm Nylon Lock Nuts, **(Figure 12)**.
 - d. Repeat this Step to install passenger/right light assembly.
 - e. Reattach the factory wiring harness to both lights.**2016-18 Models**
 - a. Attach the light assembly with plastic housing directly to the mounting tabs on the back of the bumper with (4) 6mm x 30mm Hex Bolts, (8) 6mm Flat Washers and (4) 6mm Nylon Lock Nuts.
 - b. Reattach the factory wiring harness to both lights
11. Reuse the (6) factory bumper bolts to attach the top mounting holes on the Winch Tray to the threaded bumper mounts on the frame, **(Figure 13)**. Attach the (4) lower holes in the Winch Tray to the (4) Support Brackets with (4) 12mm x 50mm Hex Bolts, (8) 12mm Flat Washers and (4) 12mm Nylon Lock Nuts, **(Figure 13)**. Snug but do not fully tighten hardware.
12. Plug in the wiring harness in the Bumper to the main harness.
13. Use the included (2) push-in License Plate Plugs to attach the front license plate, (if required), to the (2) upper or lower holes in the front Bumper, **(Figure 14)**.
14. Do periodic inspections to the installation to make sure that all hardware is secure and tight.

INSTALLATION PROCEDURE IMAGES:

Unplug sensors and fog lights if equipped



(Fig 1) Unplug wiring harness and move it away from bumper before removal



(Fig 3) All models years, remove plastic cover from top of radiator (arrow). Temporarily remove grille



(Fig 5) Bumper, tow hooks and brackets removed



(Fig 2) On 14-15 models, from behind bumper, release clips and hardware attaching plastic fascia panel (arrow) to top of bumper and fenders. Remove fascia panel to access grille and bumper hardware from above.



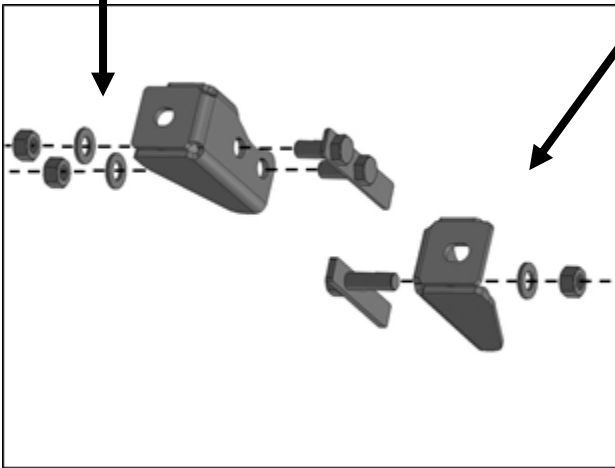
(Fig 4) Remove inner bumper brackets and tow hooks, reinstall plastic grille and cover

WARNING! Do not crawl under bumper or remove bumper bolts unless the bumper is properly supported on blocks or stands or it may fall.

INSTALLATION PROCEDURE IMAGES CONTINUED:

**12mm Double Bolt Plate
(2) 12mm Flat Washers
(2) 12mm Nylon Lock Nuts**

**12mm Single Bolt Plate
12mm Flat Washer
12mm Nylon Lock Nut**



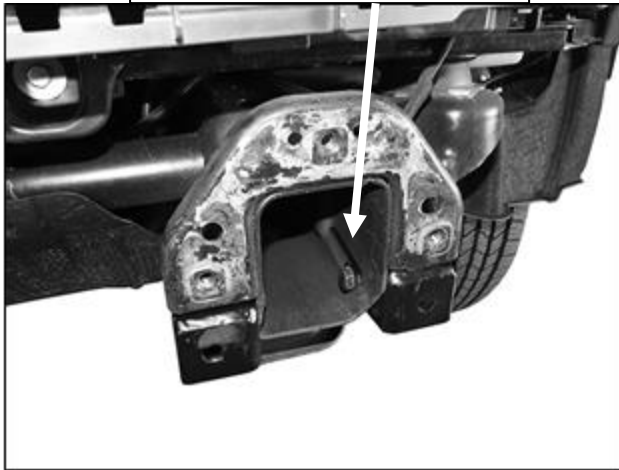
(Fig 6) Attach (1) Left Facing and (1) Right Facing Support Brackets to frame

**12mm Double Bolt Plate
(2) 12mm Flat Washers
(2) 12mm Nylon Lock Nuts**

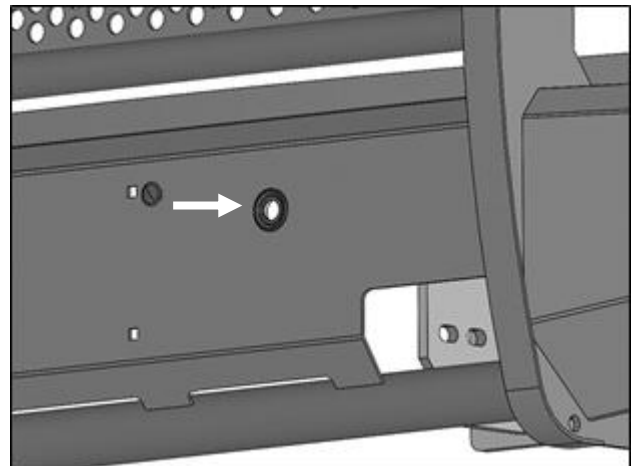


(Fig 7) Driver/left side of frame with Right Facing Support Bracket installed

**12mm Single Bolt Plate
12mm Flat Washer
12mm Nylon Lock Nut**

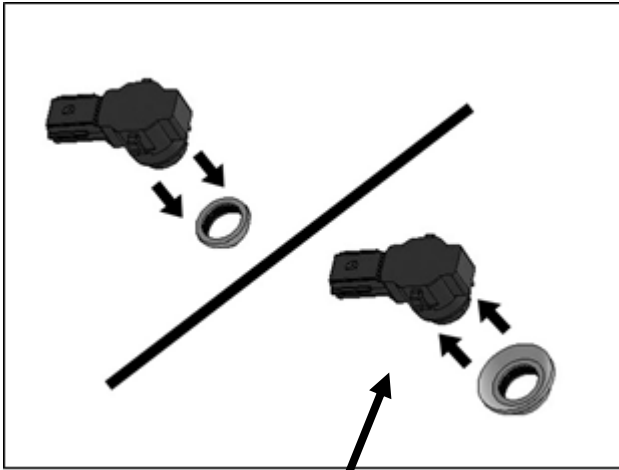


(Fig 8) Driver/left side of frame with Left Facing Support Bracket installed



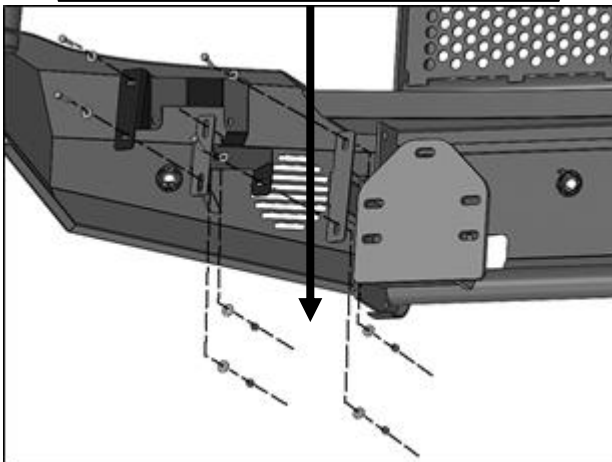
(Fig 9) Push Plastic Cover into Sensor Mount

INSTALLATION PROCEDURE IMAGES CONTINUED:



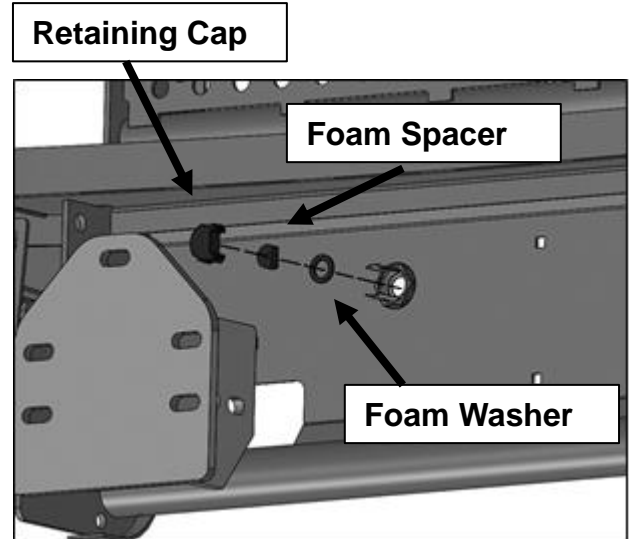
(Fig 10) Remove silicone seal from sensor. Slide Foam Washer over end of sensor (arrow)

- (3) 6mm x 30mm Hex Bolts
- (6) 6mm Flat Washers
- (3) 3mm Nylon Lock Nuts



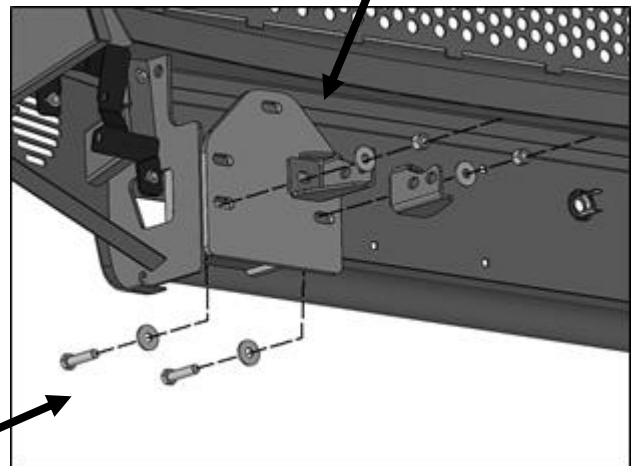
(Fig 12) On 2014-15 models only, attach factory fog light to mounting tabs on Adapter Bracket. Driver/left Bracket installation illustrated.

- (2) 12mm x 50mm Hex Bolts
- (4) 12mm Flat Washers
- (2) 12mm Nylon Lock Nuts



(Fig 11) Insert sensor assembly into the Sensor Mount on back of Bumper

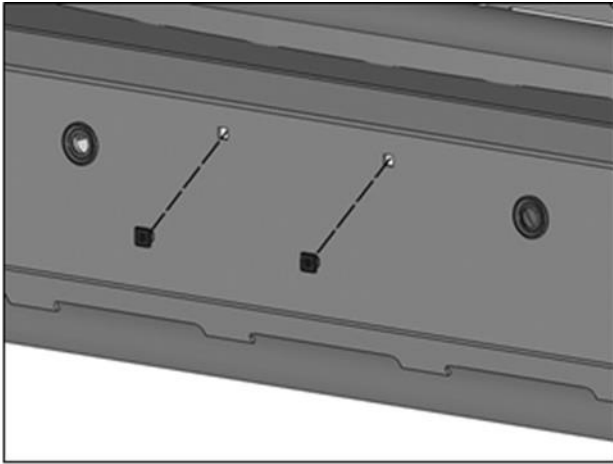
Reuse (3) factory bumper bolts to attach top of Winch Tray Assembly to frame



(Fig 13) Attach Winch Tray to frame and Support Brackets

WARNING! Do not crawl under bumper unless it is properly supported on blocks or stands or the bumper may fall.

INSTALLATION PROCEDURE IMAGES CONTINUED:



(Fig 14) Push plastic plugs into upper or lower holes in Bumper for license plate if required

**Installation is now complete,
check all hardware is tightened
and torqued to spec.**

PRODUCT CARE:

- Periodically check the product to ensure all fasteners are tight and components are intact.
- Use ONLY Non-Abrasive automotive wax. Use of any soap, polish or wax that contains an abrasive is detrimental and can scratch the finish leading to corrosion.
- Mild soap may be used to clean the Black finish product.

FAQ'S

- **Hardware and mounting brackets are not aligning properly**
 - Ensure that hardware is being used on the correct side of the vehicle. In some cases, the hardware may appear same for driver or passenger side but may alter the alignment of mounting location. Check mounting brackets for both sides.
- **Products are thumping / rattling after installation**
 - Ensure that all required mounting brackets / hardware's are installed & tighten correctly. Suggest using white lithium / regular grease between metal-to-metal contact.
- **Missing / Excess Hardware**
 - Recheck hardware count as per the part list.
- **Product not installing properly**
 - Ensure the Year / Make / Model as well as cab and bed dimensions are correct for the application. Review all steps for installation to ensure they were followed correctly.
- **Who should be contacted for questions regarding product / installation assistance?**
 - www.trailfx.com / support@trailfx.com 1-(866) 638-4870

Warranty Terms:

3 Year Limited Warranty:

TrailFX and Keystone Automotive Operations Inc. make no guarantees or warranties for products not manufactured by Keystone Automotive Operations Inc. Such products are covered solely under any applicable warranty of the manufacturer. It is always recommended that the operating instructions and warranty instructions provided by the manufacturer are followed.

Keystone Automotive Operations Inc. warrants its products to be free from manufacturing and material defects to the original purchaser for the length of warranty stated above from the date of retail purchase. If any products are found to have a manufacturing or material defect, the product will be replaced or repaired at the option of TrailFX and Keystone Automotive Operations Inc. with proof of purchase by the original purchaser. The original purchaser shall pay all transportation and shipping costs associated with the return of the defective product and the defective product shall become the property of Keystone Automotive Operations Inc.

The Warranty applies to Keystone Automotive Operations Inc. products used for individual and recreational purposes. Commercial usage of the Keystone Automotive Operations Inc. products limits the warranty to 90-days from date of purchase.

The Warranty applies only to Keystone Automotive Operations Inc. products which are found to be defective in manufacturing or material. This warranty does not apply to normal wear and tear of the finish placed on Keystone Automotive Operations Inc. products.

TrailFX and Keystone Automotive Operations Inc. are not responsible for any labor costs incurred for removal or replacement of the defective product.

TrailFX and Keystone Automotive Operations Inc. are not responsible for repair or replacement of any product under the limited warranty where the product was improperly installed, misapplied, altered, abused, neglected, overloaded, misused or damaged as a result of an accident, including any use of the product not in accordance with all product operating and safety instructions.

Without limiting the generality of the foregoing, TrailFX and Keystone Automotive Operations Inc. shall under no circumstances be liable for any incidental or consequential loss or damage whatsoever arising out of, or in any way relating to any such breach of warranty or claimed defect in, or non-performance of the products. Some states do not allow the exclusion or limitation of incidental or consequential damages, so the above exclusion or limitation may not apply to you.

This limited warranty gives you specific legal rights, and you may also have other rights that vary from state to state.