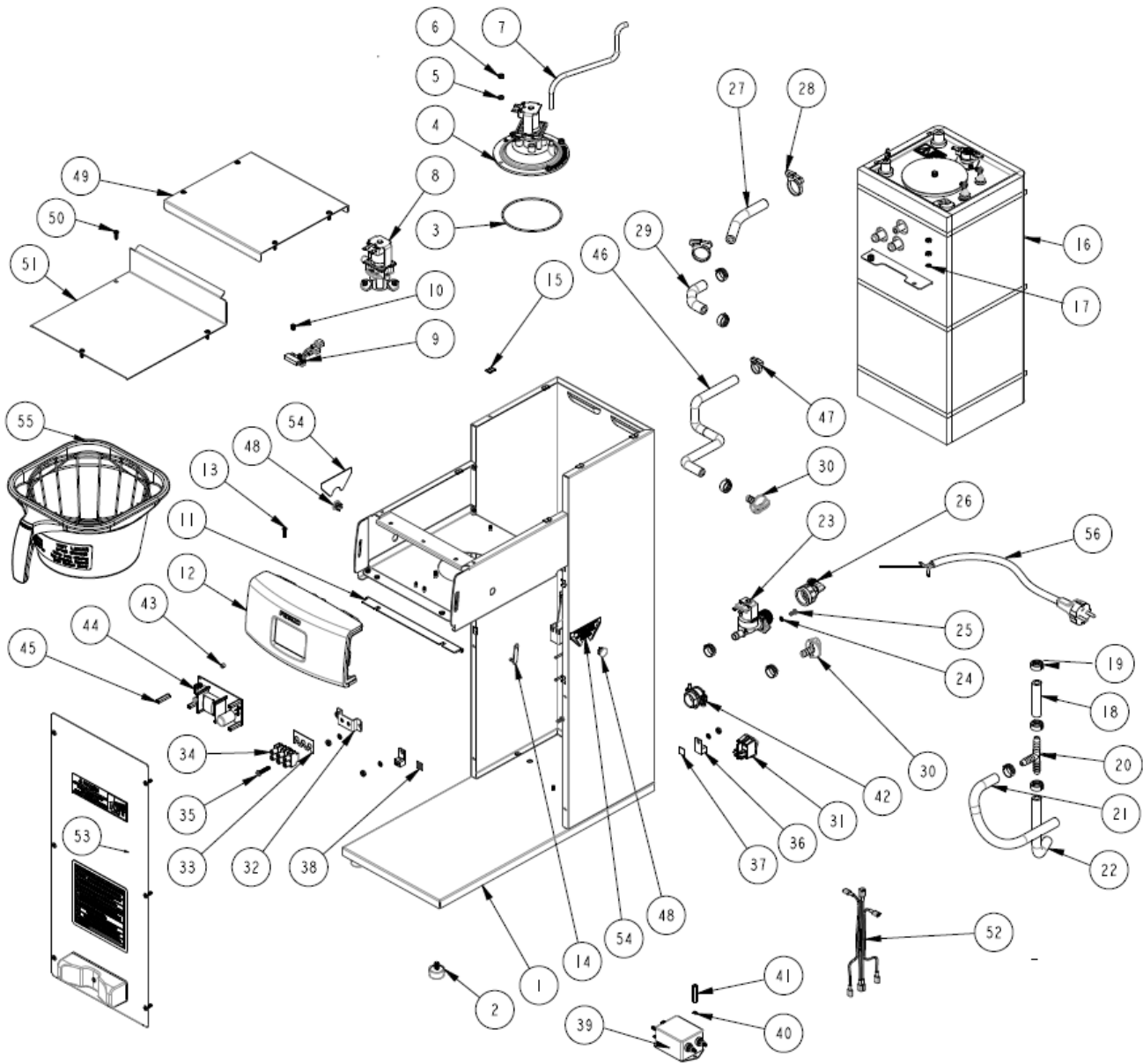
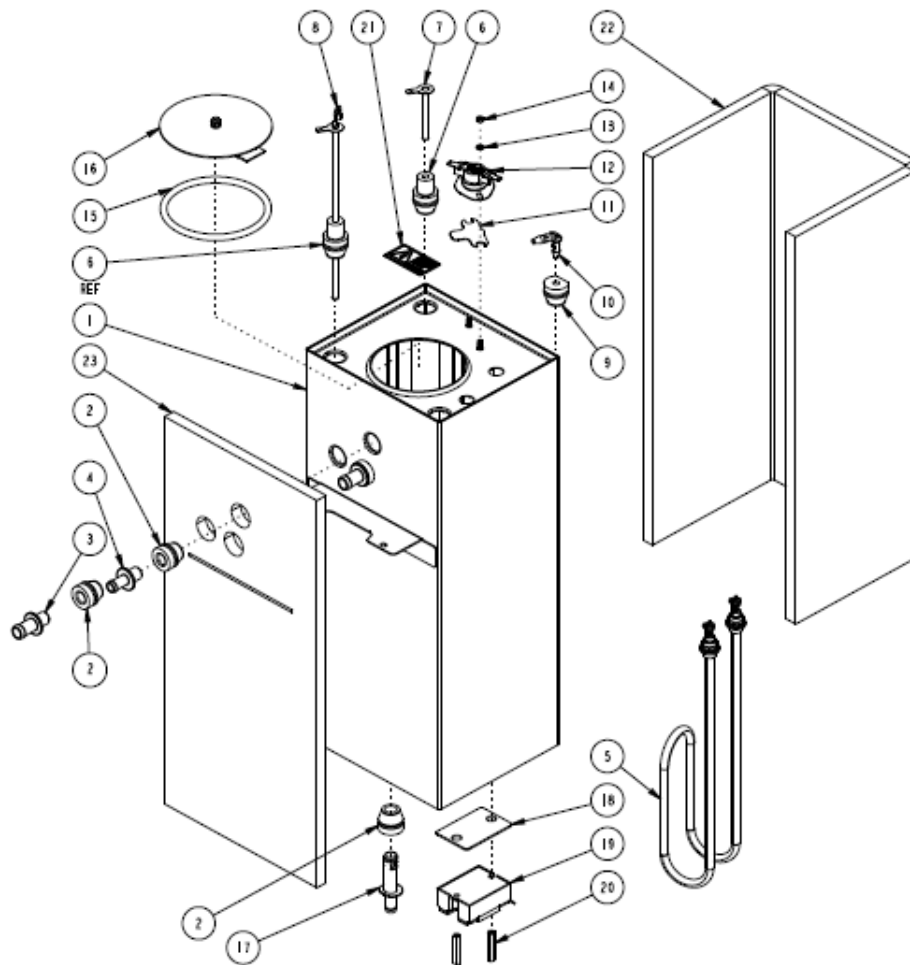


Drawings and Wiring Diagrams Parts



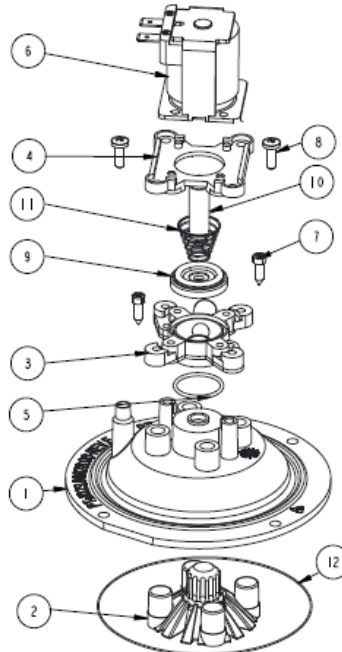
Drawing 1101.00513.00 ASSEMBLY, 3kW/240VAC, CBS-2111

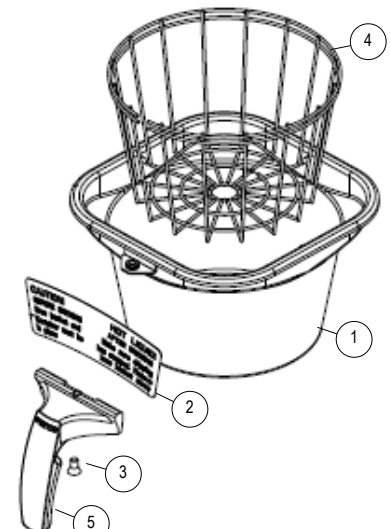
Ref#	Qty	Part number	Description
1	1	1111.00082.00	WELDMENT,
2	4	1073.00021.00	VIBRATION MOUNT, SINGLE END MALE, 1/4-20,
3	1	1024.00063.00	O-RING, 3 15/16" x 3/32" CS, DASH # 154, BUNA-N, DURO-A50
4	1	1102.00203.00	ASSEMBLY, SPRAY HOUSING, DSV11 DESIGN
5	6	1083.00010.00	WASHER, #10 SCREW W/NEOPRENE-BONDED SEAL
6	14	1084.00006.00	NUT, 8-32 18-8 HEX MACHINE SCREW
7	1	1025.00012.00	TUBE, 5/16"OD X 3/16"ID X 11.00"LG
8	1	1102.00345.00	ASSEMBLY, BYPASS VALVE,
9	1	1102.00113.00	SWITCH, REED, ASSEMBLY
10	2	1029.00006.00	NUT, FINGER, #4-40 NYLON
11	1	1024.00059.00	GASKET, FRONT 4A
12	1	1102.00354.00	ASSEMBLY, FRONT PANEL,
13	4	1082.00058.00	SCREW, # 8-32 X 5/8, FLAT HD, PH, 18-8 SS
14	1	1024.00040.00	CARD PLUG, HWD-2100
15	12	1084.00011.00	NUT, CLIP ON (J-NUT), #6-32, 22-20 GA., BLK-PH FINISH
16	1	1104.00143.00	TANK ASSEMBLY, 3kW/240VAC,
17	6	1083.00011.00	WASHER, #8 SCREW SIZE, INTERNAL TOOTH LOCK
18	1	1025.00119.00	TUBE, 5/8"OD x 3/8"ID x 2.50"LG.
19	9	1086.00003.00	UNICLAMP, 15.9 HOSE OD CLAMP
20	1	1029.00002.00	FITTING, HOSE BARB TEE, SIZE 3/8"
21	1	1025.00114.00	DRAIN TUBE, 5/8"OD x 3/8"ID x 12"LG., CBS-2121
22	1	1025.00004.00	TUBE, 5/8"OD X 3/8"ID X 8"LG, TANK WATER INLET
23	1	1057.00043.00	SOLENOID VALVE, 6L/min, 180 DEG, 24VDC
24	2	1083.00005.00	WASHER, M4 18-8 INTERNAL TOOTH LOCKWASHER
25	2	1082.00010.00	SCREW, M4x10 ZINC-PLATED PAN HD. PHILLIPS MACH.
26	1	1102.00243.00	ADAPTER ASSY, 3/4" BSP x 1/4" NPT x 3/8" TUBE
27	1	1025.00046.00	TUBE, 5/8" OD X 3/8" ID X 5.0" LG, DOUBLE VALVE
28	2	1086.00018.00	HEYCO HOSE CLAMP DIA. .875-1.00
29	1	1025.00011.00	TUBE, 5/8 OD x 3/8 ID x 4.25" LG
30	2	1023.00147.00	PLUG, TANK SERVICE DRAIN FOR 18 GA AND UP BODY
31	1	1058.00024.00	SWITCH, POWER, DOUBLE POLE, 16A, 125/250 VAC
32	1	1112.00246.00	WELDMENT BRACKET TERMINAL BLOCK, 3 POLE
33	1	1052.00025.00	PLATE, MARKING #BS1016E
34	1	1052.00022.00	EUROSTRIP HE10 TERMINAL BLOCK., 3 POLE, 50AMP, 18-8
35	2	1082.00082.00	SCREW, PHILLIP HD., 8-32 THREAD
36	2	1065.00009.00	GROUND LUG CONNECTOR, 14-2 AWG, ALUMINUM
37	1	1044.00013.00	LABEL EQUIPOTENTIALITY, CE
38	1	1044.00012.00	LABEL GROUND, CE
39	1	1052.00029.00	EMI FILTER, TWO LINE 20A,120/250VAC
40	2	1083.00009.00	WASHER, #6 SCREW , INTL TOOTH LOCKWASHER
41	2	1081.00061.00	STANDOFF, 1/4 HEX x 1 1/4 LG., #6-32 THREAD
42	1	1086.00008.00	CONNECTOR, CABLE CLAMP, 3/4"
43	4	1081.00006.00	SPACER, 6MM OD x 3.2MM ID x 5MM LG, Z/P
44	1	1052.00001.00	POWER SUPPLY, 90-264VAC/24VDC, 1.8A
45	4	1029.00012.00	SPACER, .25" HEX X 1" LG, FEM #4-40 THREAD
46	1	1025.00120.00	TUBE, 9/16"OD X 5/16"ID X 13.00"LG
47	1	1086.00001.00	CLAMP, HOSE, 15.0-17.2 DIA RANGE
48	2	1086.00047.00	CAP PLUG, PANEL, 15/32 ID x 5/8 OD,
49	1	1001.00338.00	COVER, TOP,
50	13	1082.00017.00	SCREW, TRUSS HD. PHIL. MACHINE, # 6-32 X 1/2 LG.
51	1	1001.00337.00	COVER, UPPER BASE,
52	1	1402.00093.00	HARNESS, UNIVERSAL,
53	1	1102.00344.00	ASSEMBLY, FRONT COVER,
54	2	1046.00006.00	LABEL, WARNING, "HOT WATER FAUCET"
55	1	B020000G2	BREW BASKET ASS'Y., , GREEN HANDLE PLUG
56	1	1063.00030.00	CORD PWR, 16A/250VAC, EU1-16P PLUG, W/O CONNECTOR, CE



Drawing 1104.00143.00 TANK ASSEMBLY, 3kW/240VAC, CBS-2111

Ref#	Qty	Part number	Description
1	1	1114.00145.00	WELDMENT, TANK, TBS-2111
2	4	1024.00050.00	GROMMET, SILICONE, 11.4mm ID
3	2	1023.00167.00	FITTING, BREW, GROMMET DESIGN
4	1	1023.00168.00	FITTING, HOT WATER, GROMMET DESIGN
5	1	1107.00018.00	HEATER ASSEMBLY, IMMERSION 3000W/240VAC
6	2	1024.00053.00	LEVEL AND TEMP PROBE GROMMET
7	1	1112.00002.00	PROBE WELDMENT, WATER LEVEL 2.25" LG
8	1	1102.00161.00	PROBE ASSEMBLY, TEMP. AND LLC, HWD-2100
9	1	1024.00062.00	GROMMET, SHORT, SILICONE, LEVEL AND TEMP PROBE
10	1	1029.00023.00	FITTING, SINGLE BARBED ELBOW, 1/4", KYNAR
11	1	1003.00005.00	BRACKET, ONE SHOT THERMOSTAT
12	1	1053.00004.00	THERMOSTAT, SINGLE SHOT, 25A
13	2	1083.00009.00	WASHER, #6 SCREW, INTL TOOTH LOCKWASHER
14	2	1084.00010.00	NUT, HEX, #6-32, UNDERSIZED, ZINC PLATED
15	1	1024.00007.00	O-RING, DASH #344, TANK COVER
16	1	1102.00007.00	TANK COVER ASSEMBLY
17	1	1023.00166.00	FITTING, COLD WATER INLET, GROMMET DESIGN
18	1	1003.00140.00	ALUMINUM BRACKET FOR SSR
19	1	1052.00033.00	RELAY, SOLID STATE, 50A/480VAC, W/BUILD IN VARISTOR
20	2	1081.00042.00	STANDOFF, 1/4" HEX
21	1	1044.00004.00	LABEL, DANGER, HIGH VOLTAGE
22	1	1022.00101.00	BACK INSULATION, TANK, TBS-2111
23	1	1022.00102.00	FRONT INSULATION, TANK, TBS-2111

		1102.00203.01 Small Spray Assembly Parts CBS-2111XTS	
		REF	QTY
1	1	1102.00020.01	SPRAY ASSEMBLY-NO VENT
2	1	1102.00019.00	CASCADE SPRAY DOME
3	1	1023.00295.00	SPRAY HEAD ADAPTER
4	1	1023.00252.00	COIL ADAPTER
5	1	1024.00002.00	O-RING
6	1	1057.00072.00	DISPENSE COIL, 24VDC
7	2	1082.00068.00	SCREW M3.9X13 CHEESE PH. T/FORM
8	4	1082.00069.00	SCREW, 8-18 x 1/2", SS, TF/PH/PHIL
9	1	1057.00038.00	DIAPHRAGM
10	1	1057.00040.00	PLUNGER
11	1	1057.00051.00	CONICAL SPRING
12	1	1024.00063.00	O-RING, LOWER 3 15/16" X 3/32"

		CBS-2111XTS Stainless Steel Brew Basket		
		Ref#	Qty	Part Number
		←	B001280B1	COMPLETE STAINLESS STEEL BREW BASKET
1	1	1112.00058.00	BREW BASKET WELDMENT (CONE ONLY)	
2	1	1046.00025.00	BREW BASKET WARNING LABEL	
3	1	1082.00040.00	SCREW, 1/4-20X.5, FL-HD, PH., W/NYLON PATCH	
4	1	1009.00005.00	WIRE BASKET	
5	1	1102.00064.00	HANDLE W/MAGNET ASSEMBLY, BLACK	
Optional colored handle			1102.00065.00	HANDLE W/MAGNET ASSEMBLY, RED
Optional colored handle			1102.00066.00	HANDLE W/MAGNET ASSEMBLY, GREEN
Optional colored handle			1102.00067.00	HANDLE W/MAGNET ASSEMBLY, ORANGE