



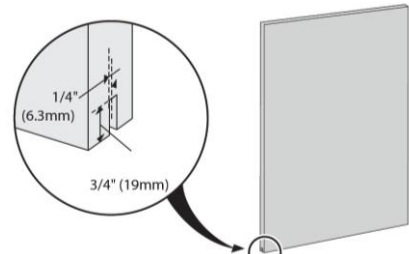
Barn Door Hardware Installation Instructions


BEFORE YOU START: Ensure you read “How to prepare your walls for hardware” on our website instructions page.
Important! Wall mounted door hardware must be attached to structural blocking or a head casing. If there is not adequate support, then you must add structural support before attaching the hardware to the wall.

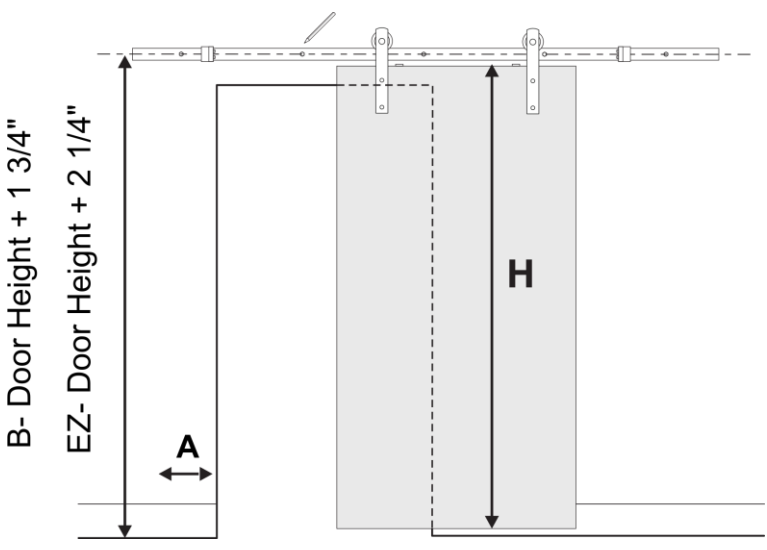
Please read all the instructions before starting.

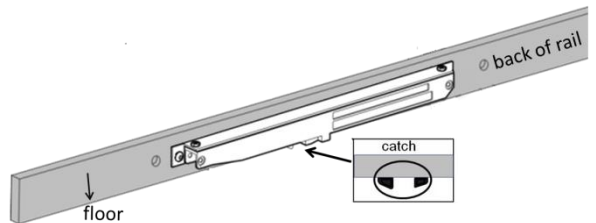
Warning: No instruction sheet is a replacement for common sense. If you don't feel comfortable with this project, don't do it! And please, use ear, eye, and dust protection for all home renovation projects

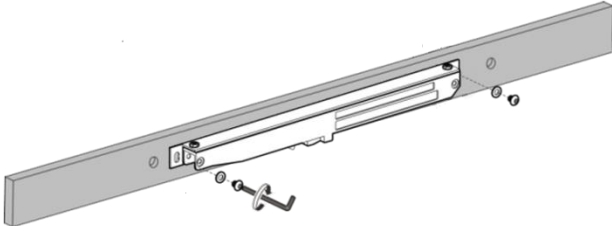
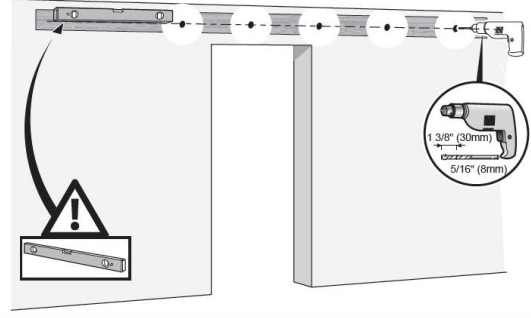
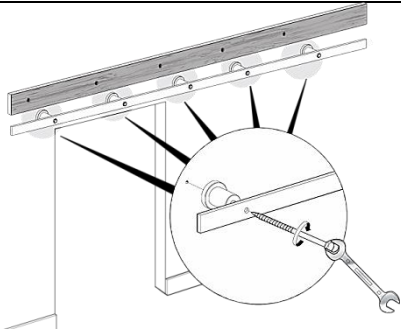
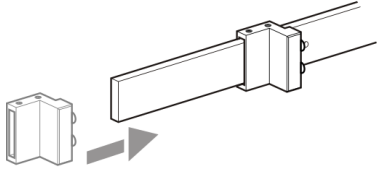
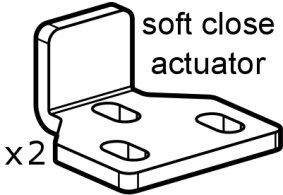
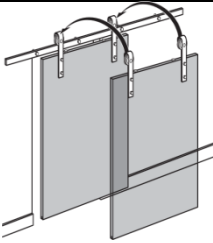
The rail can be cut if you wish to use a smaller door, but you will need to coat the cut end with a proper metal paint to prevent rusting. Cutting the rail voids any warranty.

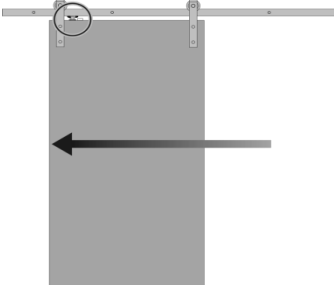
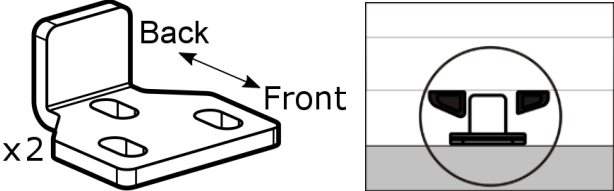
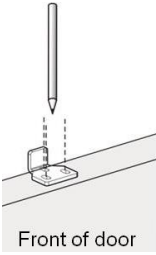
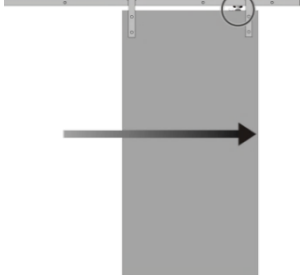
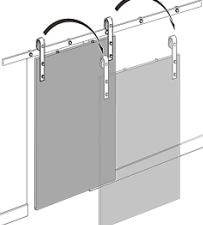
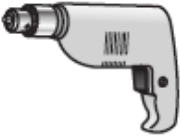
1	IF USING STANDARD GUIDE Route a 1/4" wide x 3/4" deep channel on the bottom of the door for use with the floor-mounted door guide. This will prevent the door from swinging in and out.	
---	---	--

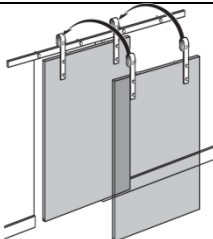
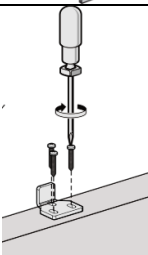
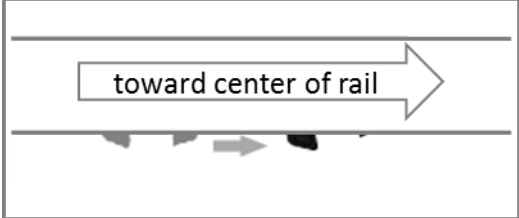
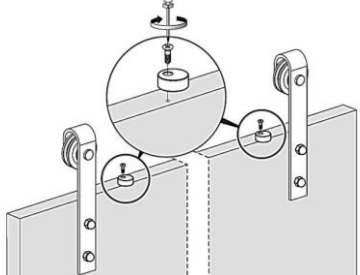
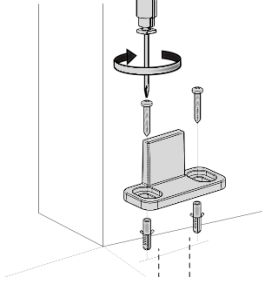
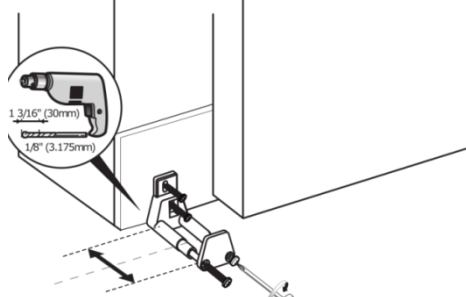
2	Install rollers on the doors - follow instructions included with roller placement block	
---	---	--

<p>Basic Door set up.</p> <p>A – minimum of 2" of overlap is required on both sides of the door</p> <p>B – for standard guide, rail is positioned at door height + 1 3/4" above floor</p> <p>EZ – for EZ guide, rail is positioned at door height + 2 1/4" above floor</p>	
--	--

NOTE	Soft close goes on the back of the rail, facing the wall, with the “catch” on the plastic soft close device facing the floor. You should not see the soft close mechanism when looking at your door.	
------	--	--

3	<p>Before you install the rail, slightly loosen the two attachment bolts holding the soft close to the rail and ensure that the device is pushed down as far as it can go. Then tighten up the attachment bolts securely. If you don't tighten them the soft close won't work.</p>	
4	<p>Position the rail on top of the wood blocking.</p> <p>Use a level to make sure it is level.</p> <p>Mark the holes using a pencil and drill 1/4" pilot holes into the wood blocking.</p>	
5	<p>When installing into the solid wood block and wall, insert using the provided wall screws. Check frequently to ensure rail is level.</p> <p>Align each spacer to the rail holes, inserting standoffs and provided screws (with washers), securing with a wrench.</p>	
6	<p>Position your door stopper at the end of the track to prevent roll-off.</p> <p>Using the allen key included with the set, tighten the stops.</p>	
<p>Setting your soft close</p> <p>NOTE - Before you can set your soft close, you must attach the rail to the wall and install the rollers on your door</p>		
NOTE		<p>WHERE THIS ACTUATOR IS PLACED DETERMINES WHERE THE SOFT CLOSE DEVICE STOPS THE DOOR.</p> <p>It does not have an installation template and YOU are the one who determines where it goes on the top of the door. Where you want the door to stop determines the position the actuator must be placed in.</p>
7	<p>Lift the door onto the track</p>	

8	<p>Push door to left, TO THE LOCATION YOU WANT IT TO BE IN WHEN IT STOPS! This is when you will position the soft close actuator.</p>	
9	<p>Keeping the door in location, place the soft close actuator on top of the door with the upwards tab towards the back of the door, fitting between the two catch tabs in the soft close device.</p>	
10	<p>Once you have placed the soft close actuator in position, mark the holes with a pencil.</p>	
<p>WARNING! Do not attempt to drill the holes or screw the actuator in at this point. It is easy to either split the door or scratch your rail.</p>		
11	<p>Next, move the door to the right TO THE LOCATION YOU WANT IT TO BE IN WHEN IT STOPS! Repeat the steps of placing the actuator into place and marking its position.</p>	
12	<p>Remove the door from the track</p>	
13	<p>Where you have marked for the soft close actuators drill holes using a 1/16 inch drill bit. DON'T INSTALL THE ACTUATORS AT THIS POINT AS THEN THE DOOR WON'T FIT ONTO THE TRACK!</p>	

14	Now, place the door back on the track	
15	Screw the actuators onto the door	
16	At this point you will need to manually “open” the soft close devices by pulling the catch tabs of the device towards the middle of the rail until the front tab retracts up.	
17	Close your door to ensure everything is soft closing as required.	
18	Position each anti-jump block at least 1" from the edge of the rollers. Tighten slightly to secure in place.	
19a	<p>STANDARD BOTTOM GUIDE</p> <p>Position the door guide inside the channel routed in your door. Mark holes with a pencil and drill 1/4" holes.</p> <p>With concrete floors, use the provided anchors.</p>	
19b	<p>EZ INSTALL BOTTOM GUIDE</p> <p>Determine a position that will allow the door to travel both ways yet remain guided. Screw the wall-mounted door guide to the wall or trim, and adjust as necessary.</p>	
<p style="text-align: center;">You are done!</p> <p style="text-align: center;">If you have any questions, please review our videos on our website, or contact us for assistance</p>		