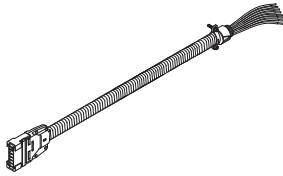


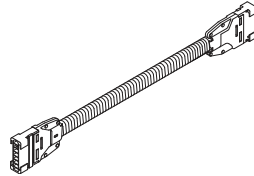
ELECTRICAL PARTS LIST

BYRNE 8-TRAC



72" POWER INFEEED - HARDWIRE
PART #: BE08092-3-72

*CUSTOM LENGTHS UP TO 180"L AVAILABLE UPON REQUEST, SUBJECT TO PRICE CHANGE

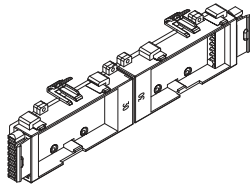


JUMPER CABLE
PART #: BE08177-3-XX
(NON-ADJUSTABLE)

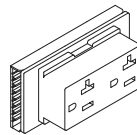


H CONNECTOR
PART #: BE08299-3

*ONLY APPLICABLE FOR SINGLE SIDED BENCHING APPLICATIONS



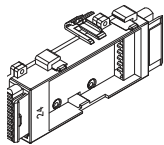
MOUNTING BLOCK-DOUBLE
PART #: BE08382-3-7-30
(NO MOUNT)



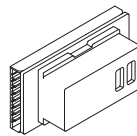
DUPLEX RECEPTACLE-20 AMP
PART #: BE08498-3-C-X-C

ADD-ON POWER COMPONENTS

*ONLY APPLICABLE FOR MINIM FIXED SYSTEMS



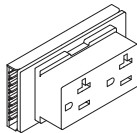
MOUNTING BLOCK-SINGLE
PART #: BE08381-3-7-00
(NO MOUNT)



USB RECEPTACLE
PART #: BE080147-3-C-3-C

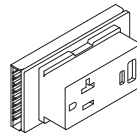


M/M CONNECTOR
PART #: BE09003-3



DUPLEX RECEPTACLE-20 AMP
PART #: BE08498-3-C-X-C

*ADDITIONAL CIRCUIT 3 DUPLEX AVAILABLE UPON REQUEST.



SIMPLEX & USB A+C RECEPTACLE
PART #: BE080259-3-G-3-C

*ADDITIONAL CIRCUIT 3 OPTION AVAILABLE UPON REQUEST.

WIRING DIAGRAM

BYRNE 8-TRAC

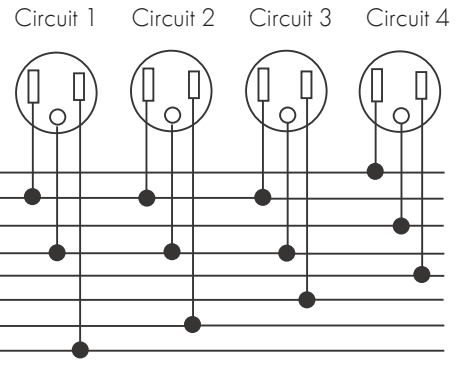
Specifications:

- (8) Wires, (4) circuits, 20 Amps per circuit (Circuit 1, 2, 3 and 4)
- (13) Duplex receptacles per circuit
- (52) 15 Amp Duplex receptacles per power infeed maximum
- UL Listed as a Manufactured Wiring System [183]
- UL Recognized as an Office Furnishing Accessory [1286]

3+D Wiring Diagram 208/120V
(3+D Keying is designated as -3- in part numbers)



Gray	_____	Neutral 2
White	_____	Neutral 1
Green/Yellow	_____	Iso Ground
Green	_____	Ground
Pink	_____	Hot 4
Blue	_____	Hot 3
Red	_____	Hot 2
Black	_____	Hot 1



POWER INFEEED DIAGRAM

BYRNE 8-TRAC

FLOOR INFEEED

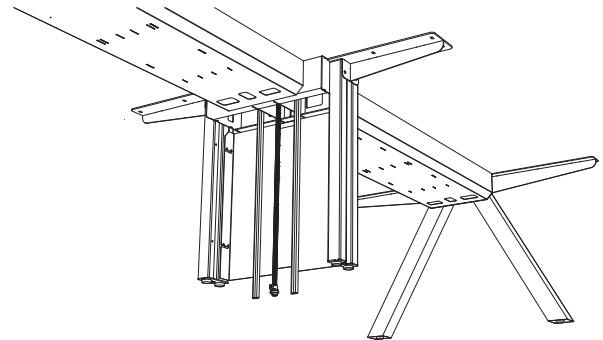
MINIM Workstations come equipped with two removable panels on each mid leg to accommodate wire from power and data floor cores. Once fed through the leg, the wires can navigate through the troughs for easy installation.

INTERIOR CLEAR DIMENSION FOR MID LEGS

MINIM Fixed - 19" x 4-6"*

MINIM Rise - 24" x 5.8"-7.8"*

*Mid leg panels have adjustable slots to expand available clear distance.



WALL INFEEED

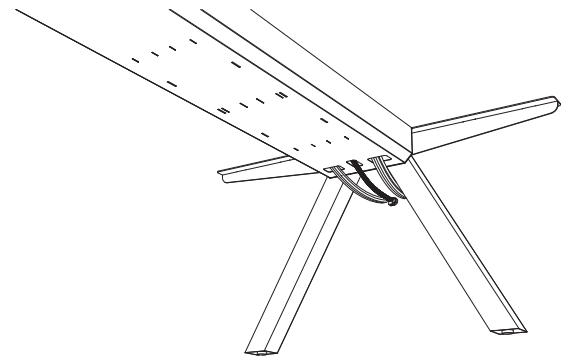
When running MINIM 8-trac electrical from a wall, our system is equipped with three holes at the bottom of each trough; the center for data and the outer two holes for power. Wires can then be fed under the leg and up through the trough cut-outs for easy installation.

EXPOSED WHIP LENGTHS:

47" desk with = 48" or 58" whip length*
(length is variable on installation)

59" desk width = 46" whip length

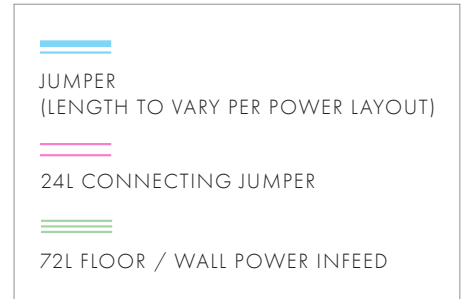
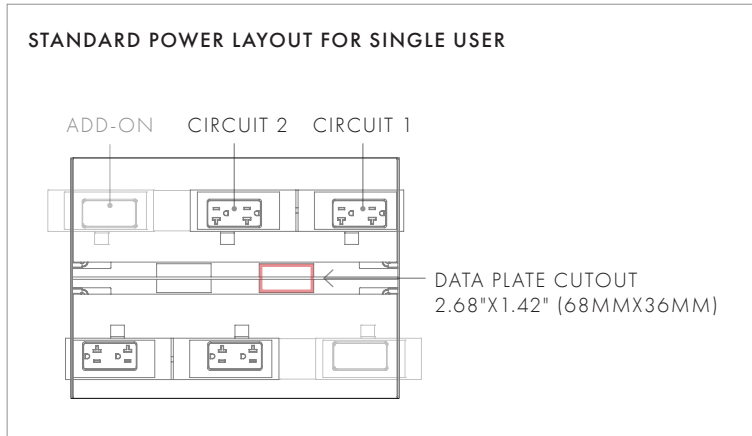
71" desk width = 40" whip length



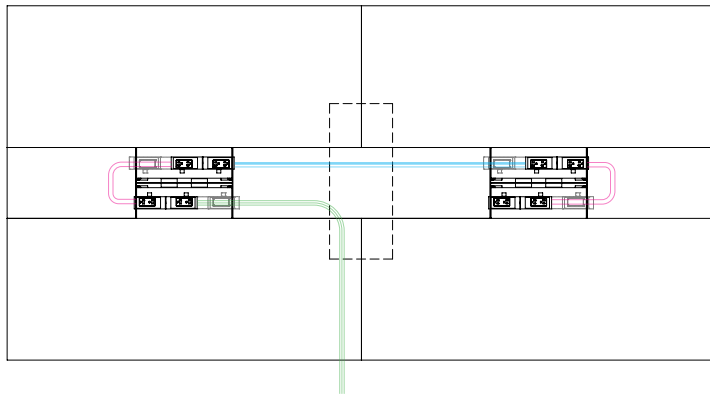
MINIM FIXED BENCH

STANDARD TWO 8-TRAC DUPLEXES PER SEAT

ADD-ON ADDITIONAL DUAL USB-A OR DUPLEX RECEPTACLE AVAILABLE

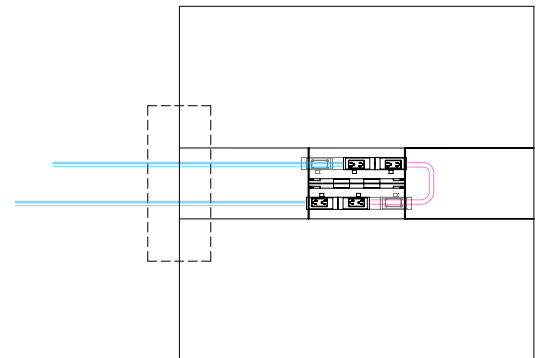


FLOOR INFEEED

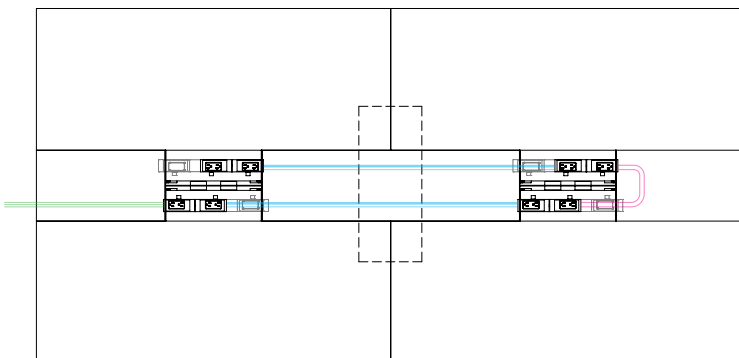


FOR PACK SIZES 6 AND UP

+

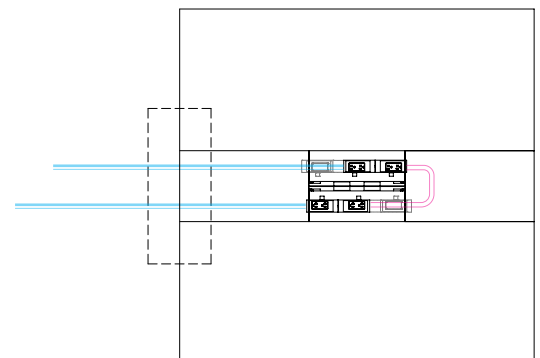


WALL INFEEED



FOR PACK SIZES 6 AND UP

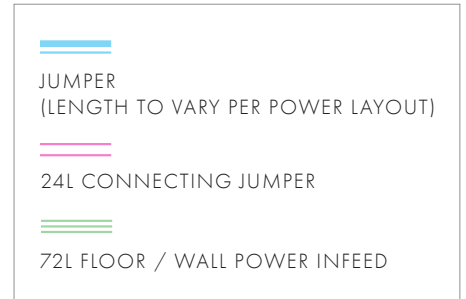
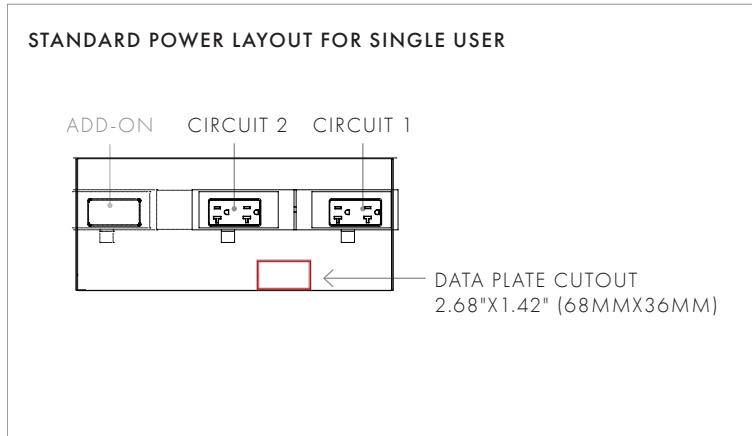
+



MINIM FIXED DESK

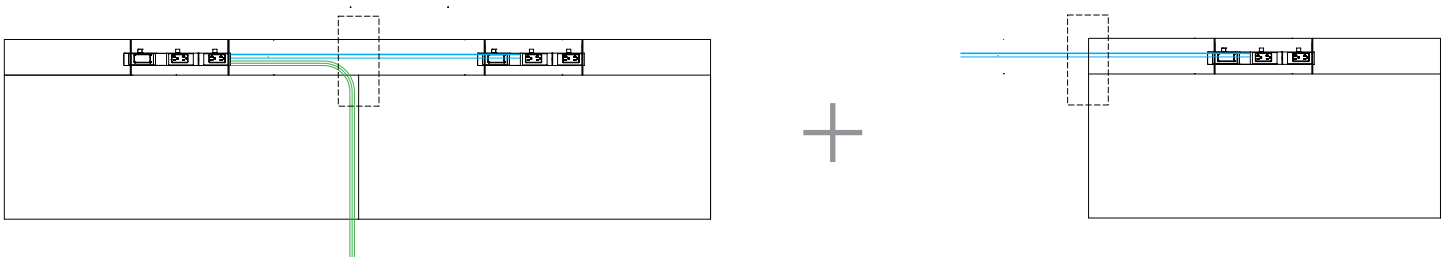
STANDARD TWO 8-TRAC DUPLEXES PER SEAT

ADD-ON ADDITIONAL DUAL USB-A OR DUPLEX RECEPTACLE AVAILABLE



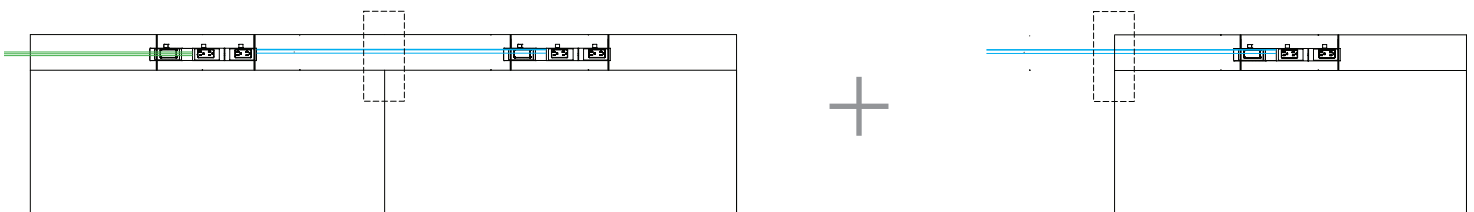
FLOOR INFEED

FOR PACK SIZES 3 AND UP



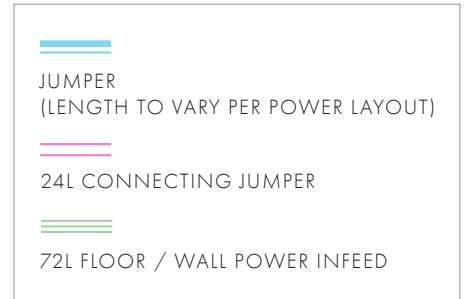
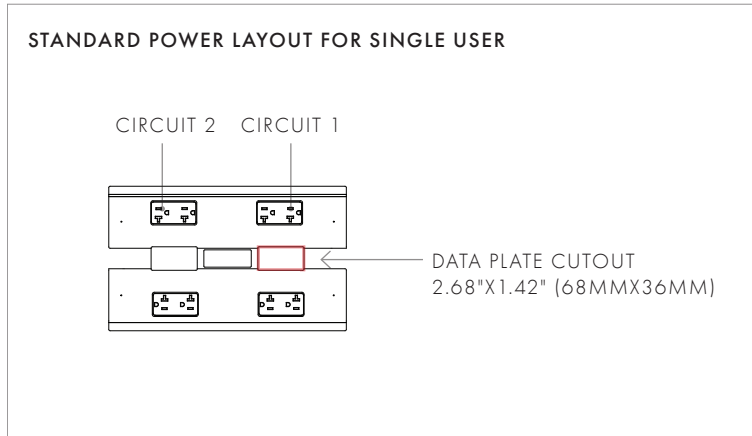
WALL INFEED

FOR PACK SIZES 3 AND UP

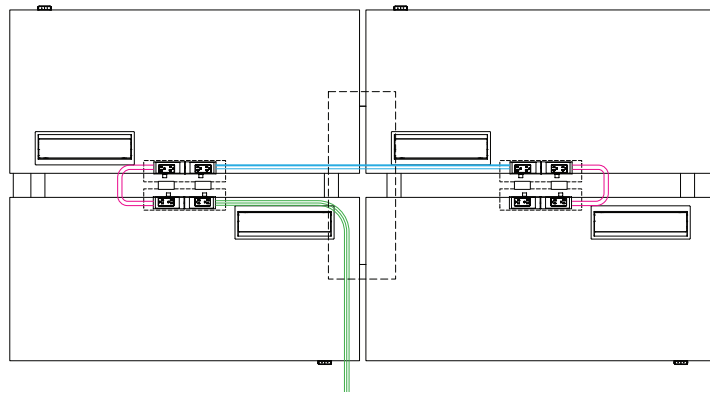


MINIM RISE BENCH

STANDARD TWO 8-TRAC DUPLEXES PER SEAT

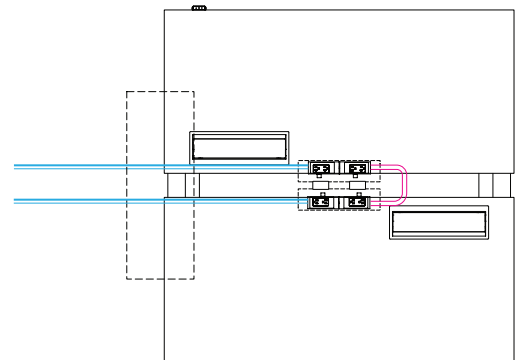


FLOOR INFEED

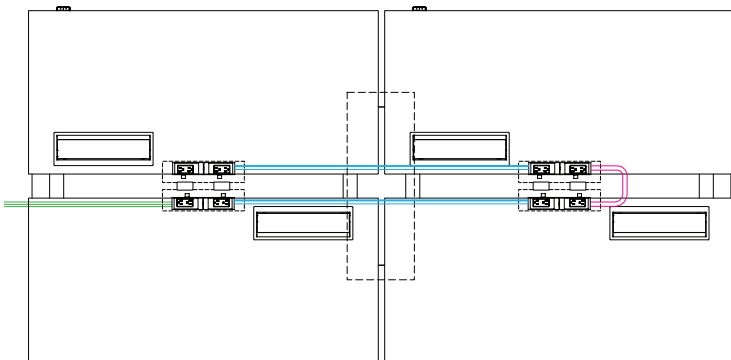


+

FOR PACK SIZES 6 AND UP



WALL INFEED



+

FOR PACK SIZES 6 AND UP

