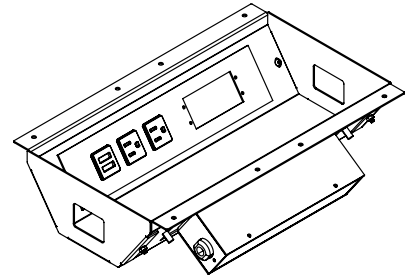


# MINIM CONFERENCE TABLES

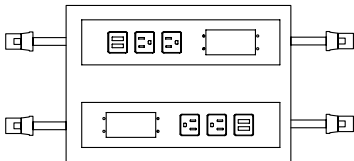
## POWER OPTIONS

Uhuru's simple and flexible solutions bring UL Listed power and telecom connectivity to your conference table. Both hardwired and 20 amp plug infeed options available. Compatible with Extron AAP SuperPlate for all of your data and audiovisual needs.

Boxes allow for the use of large charging blocks (Mac, etc.) without interfering with the closed lid. The undermount design highlights the surface matched lid that rests into a self-centering bracket with channels for cable access.



Choose from the following:

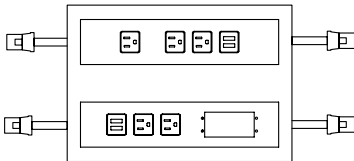


Extron AAP Superplate to be ordered separately (see page 2)

### CONFIGURATION A

- (4) 15AMP / 120 VOLT RECEPTACLES
- (4) USB CHARGING PORTS
- (2) OPENINGS FOR EXTRON AAP SUPERPLATE

UNITS COME STANDARD WITH 108" LENGTH INFEED AND CAN BE GANGED UP TO THREE (3) UNITS PER INFEED

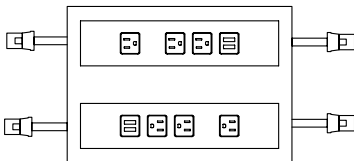


Extron AAP Superplate to be ordered separately (see page 2)

### CONFIGURATION B

- (5) 15AMP / 120 VOLT RECEPTACLES
- (4) USB CHARGING PORTS
- (1) OPENINGS FOR EXTRON AAP SUPERPLATE

UNITS COME STANDARD WITH 108" LENGTH INFEED AND CAN BE GANGED UP TO THREE (3) UNITS PER INFEED

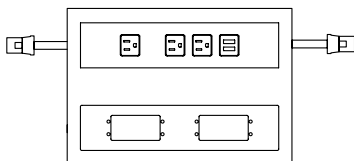


Extron AAP Superplate to be ordered separately (see page 2)

### CONFIGURATION C

- (6) 15AMP / 120 VOLT RECEPTACLES
- (4) USB CHARGING PORTS

UNITS COME STANDARD WITH 108" LENGTH INFEED AND CAN BE GANGED UP TO THREE (3) UNITS PER INFEED



Extron AAP Superplate to be ordered separately (see page 2)

### CONFIGURATION D

- (3) 15AMP / 120 VOLT RECEPTACLES
- (2) USB CHARGING PORTS
- (2) OPENINGS FOR EXTRON AAP SUPERPLATE

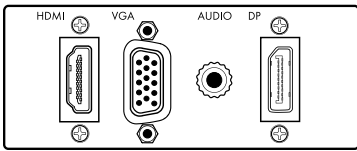
UNITS COME STANDARD WITH 108" LENGTH INFEED AND CAN BE GANGED UP TO THREE (3) UNITS PER INFEED

## MINIM CONFERENCE TABLES TELECOMMUNICATION OPTIONS

Choose from two standard Extron AAP SuperPlates for telecommunication requirements; the SuperPlate 120 and the SuperPlate 160.

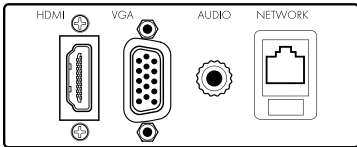
For custom or other telecomm configurations, users can purchase direct from Extron. <https://www.extron.com/product/aapsuperplate>  
Uhuru power box units are compatible with all AAP SuperPlates.

### AAP SuperPlate 120



- (1) HDMI female to HDMI female
- (1) VGA female to VGA female
- (1) 3.5 mm stereo audio jack to captive screw
- (1) DisplayPort female to DisplayPort female

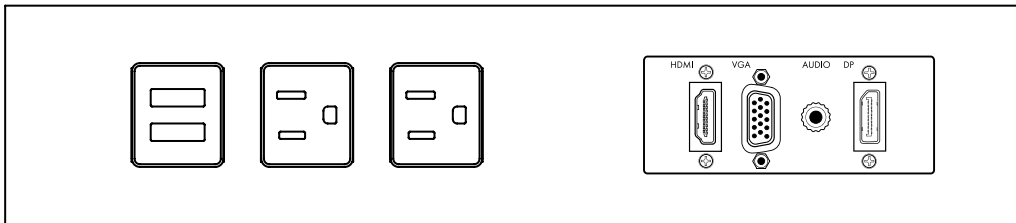
### AAP SuperPlate 160



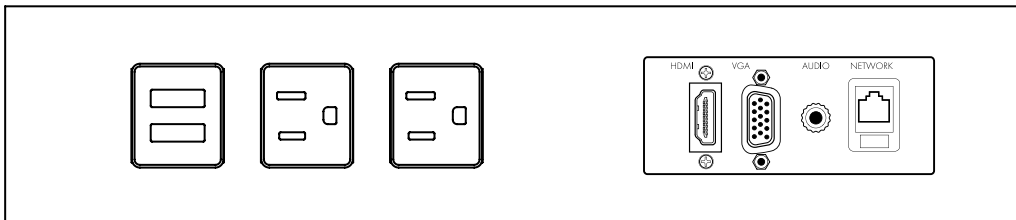
- (1) HDMI female to HDMI female
- (1) VGA female to VGA female
- (1) 3.5 mm stereo audio jack to captive screw
- (1) RJ-45 CAT 5e barrel

## TELECOM EXAMPLE LAYOUTS:

### AAP SuperPlate 120



### AAP SuperPlate 160

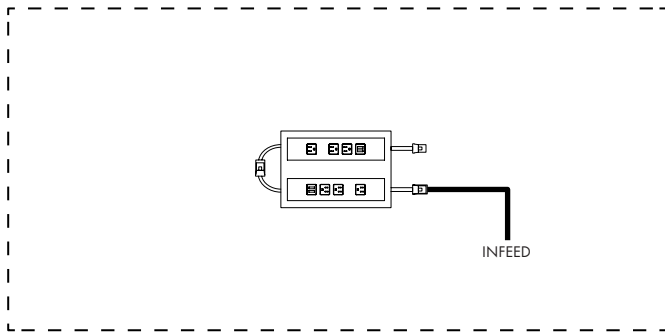


## MINIM CONFERENCE TABLES MULTI POWER BOX CONFIGURATIONS

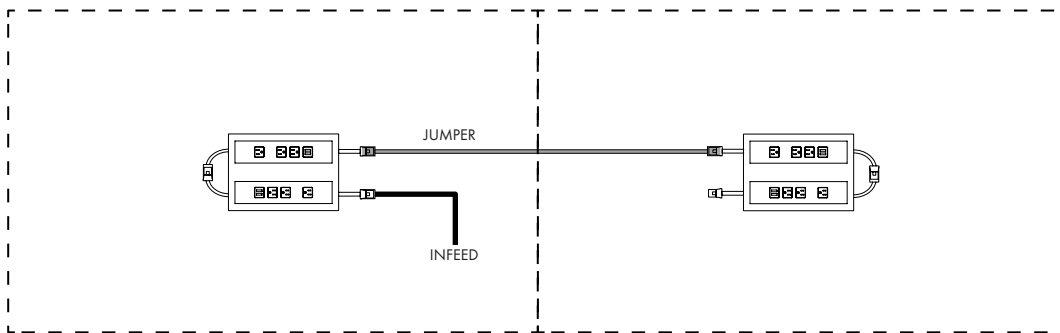
For multi power box configurations, units are daisy chained with jumper cables and connected with a single power infeed. A maximum of (3) power boxes can be connected on a single infeed.

For tables requiring more than (3) power boxes, additional boxes can be specified, but will require an additional power infeed.

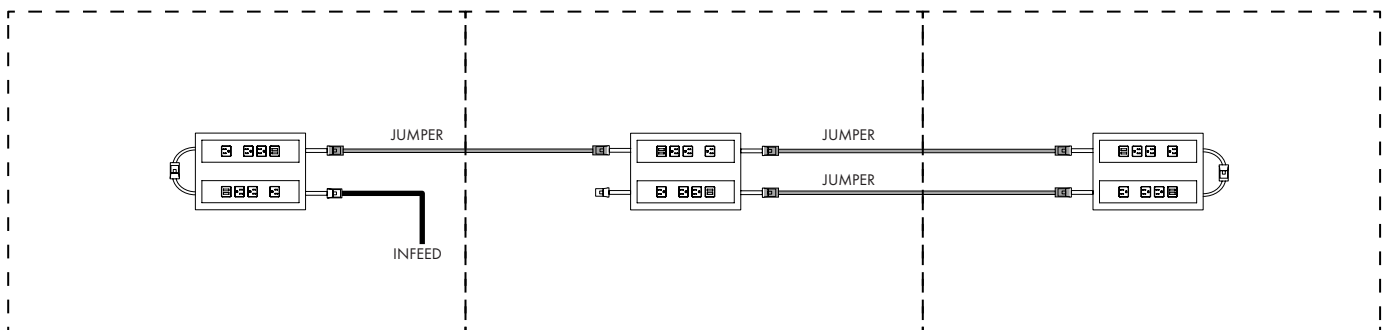
### (1) POWER BOX



### (2) POWER BOX



### (3) POWER BOX





## MINIM CONFERENCE TABLES

### POWER BOX TECHNICAL SPECIFICATIONS

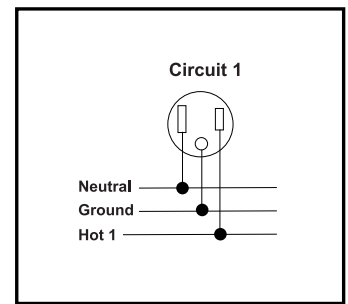
#### LISTING / COMPLIANCE:

- UL Listed as a Manufactured Wiring System (UL 183) when used with hardwired infeed, (cUL 183 Certified for Canada)
- UL Recognized as a office Furnishing Accessory (UL 1286) when used with corded plug infeed, ( cUL 1286 Certified for Canada)
- Meets NEC (National Electric Code) articles 604 and 605
- Complies with municipal standards such as in New York, Los Angeles, & San Francisco. Note: 20A corded in-feed in UL Recognized only (UL 1286)

#### CIRCUITRY / KEYING:

- (3) wires on a single circuit, with (1) neutral and (1) ground
- Rated for 20 Amps
- Receptacles are rated for 15 Amps
- The conductor is 12 AWG
- Wired in single configuration, 240/120V
- Under NEC requirements, users can connect up to a maximum of 26 (15 A) outlets per power infeed. However, the actual number of receptacles recommended on a circuit or infeed will vary depending on load requirements. Please consult a licensed electrician.

#### WIRING DIAGRAM:



#### INFEED / JUMPER COMPONENTS:

##### POWER INFEED - HARDWIRE



##### POWER INFEED - 20 AMP PLUG-IN



20 AMP PLUG VIEW

##### JUMPER CABLE



MINIM CONFERENCE TABLES

ELECTRICAL BOX / FRAME TROUGH INTERIOR CLEARANCE DIMENSIONS

