

TUBE COUNTER STOOL

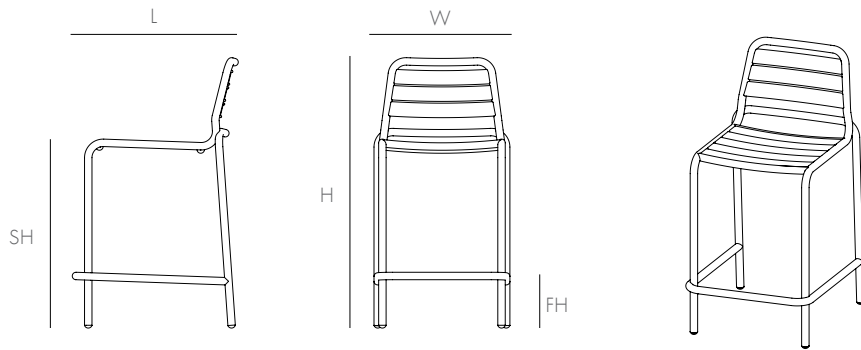
Inspired by the streamlined look and engineering of industrial piping and conduit systems, the Tube Counter Stool explores dynamic curves to optimize comfort. The Tube Counter Stool is fabricated in lightweight powder-coated aluminum, making it durable for both indoor and outdoor use. Available in bar height, bar height, chair, and table.

DIMENSIONS

L20.25 W18.25 H36.25

SH25 (Seat Height)

FH7.5 (Footrest Height)



AVAILABLE IN



BLACK
E1TUCS0110



OCEAN
E1TUCS0102



OCHRE
E1TUCS0105



ROSE
E1TUCS0104

DETAILS

- Powder-coated aluminum.
- Wrap-around footrest.
- Safe for indoor or outdoor use. Store indoors during extreme weather conditions.
- Ships fully assembled.

PERFORMANCE CERTIFICATIONS

- ANSI/BIFMA X5.1 Office Seating.
- ANSI/BIFMA X5.4 Lounge and Public Seating.

FAMILY



CHAIR



COUNTER STOOL



BAR STOOL



TABLE

NOTES

- See Assembly & Care Instructions for more information