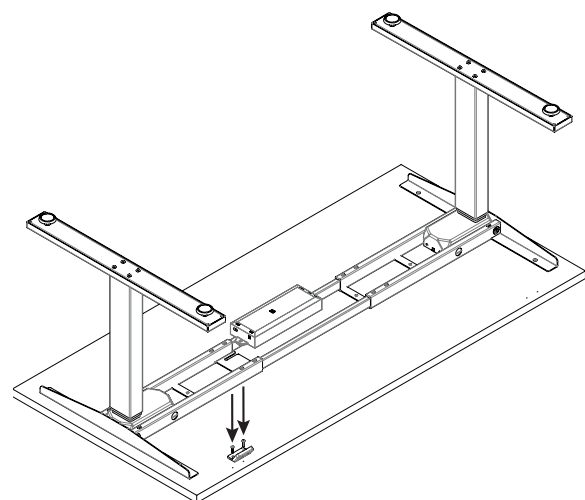


**7** Slide the control box into leg frame.

Using the pre-drilled holes for guidance, attach the control handset on either the left or right side of the desk with ST5X16 screws.



**8** Connect handset, power cord, and motor cords to the control box.

**9** Have someone help you lift the by the legs and rotate the desk upright.

Place the desk in its intended spot and adjust the leveling glides.

Plug power cable into an outlet.

If necessary, manage cables with ATC-17.

**10** If placing electronics such as a computer monitor on the table top, ensure that cords are long enough to allow the table to rise to its full height.

**11** ELECTRONIC SETUP PROCEDURE

The setup procedure needs to be done as soon as the table is set up, and then any time it is moved, unplugged or if the legs somehow happen to get out of sync.

**FAILURE TO RESET BEFORE USE CAN CAUSE IRREPARABLE DAMAGE TO ELECTRONIC COMPONENTS**

To reset - push the down button until the base reaches the lowest position it will go to, release then press the down button again and hold for about 7 seconds. Then release the down button push it again and hold until the base bottom's itself out, then slightly rises

**CLEANING AND CARE**

Clean surfaces with a dry or damp soft cloth. Do not use abrasive, oil or chemical based cleaners. It is recommended to use coasters to protect surface from heat and water. Do not leave spills unattended.

**! WARNING**

**Serious or fatal crushing injuries can occur from furniture tip-over. To help prevent tip-over, read this entire warning.**

**To further reduce the risk of serious injury and death from tip-overs:**

- Never stand on furniture
- Furniture intended for placement on floor
- Do not place items over 300lb on furniture



**QUESTIONS?**

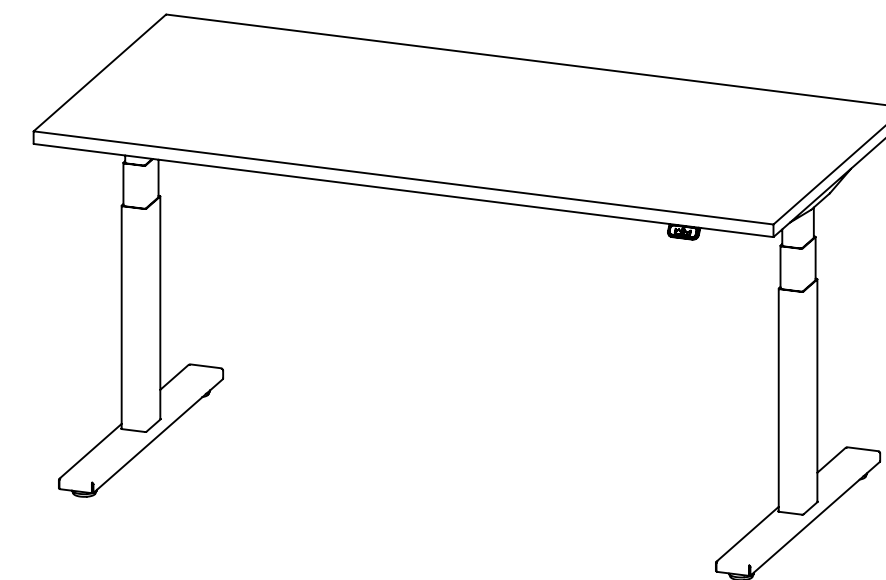
Email [hello@uhurudesign.com](mailto:hello@uhurudesign.com)

For warranty claims, visit this link:

[www.uhurudesign.com/pages/claims](http://www.uhurudesign.com/pages/claims)



**FRAME RISE 59" DESK  
ASSEMBLY AND CARE**



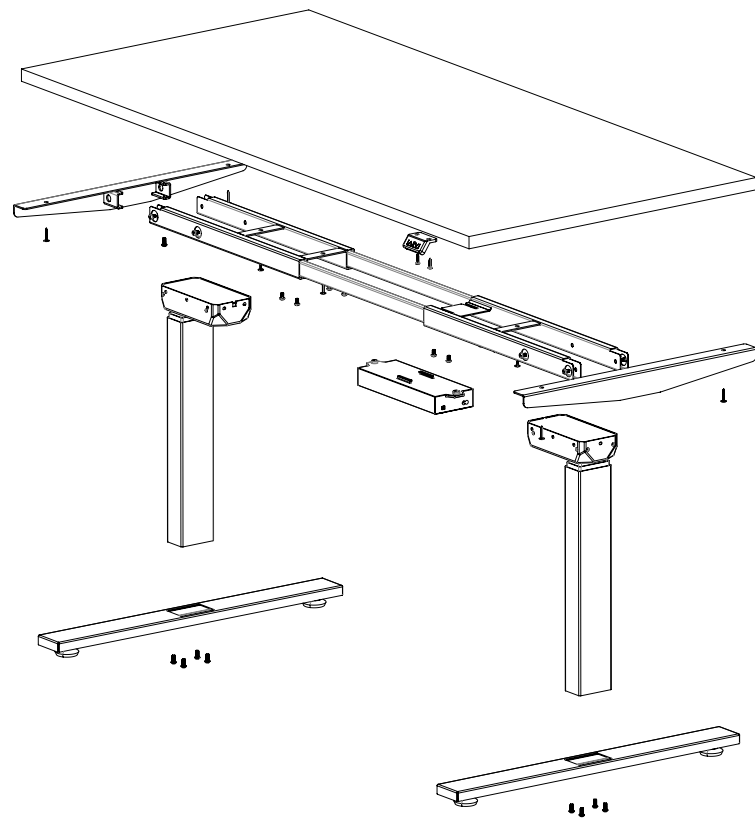
**DIMENSIONS**

**L59 W28 H24-49**



# FRAME RISE - SIT STAND DESK CONTENTS

This page lists the contents included in the box. This product does require assembly. As you unpack, place the contents on a carpeted or padded area to protect them from damage. Improper unpacking can result in personal or property damage.



## CONTENTS

M6X10 (X16)

ST5X20 (X7)

M6X14 (X12)

ST5X16 (X2)

40003 POWER BOX

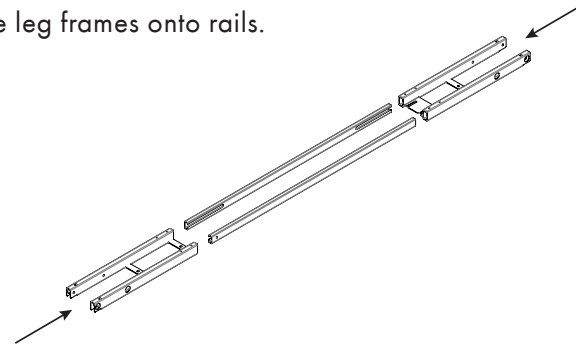
40019 CONTROLS

uhuru

FRAME RISE DESK

# ASSEMBLY INSTRUCTIONS

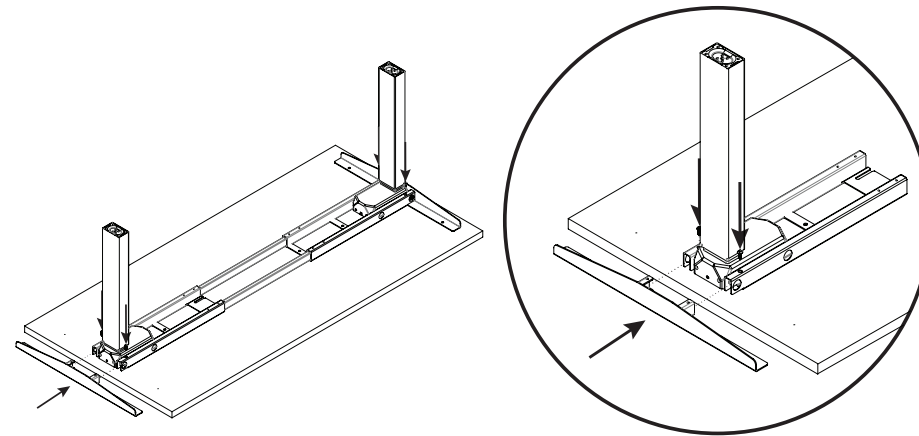
**1** Slide leg frames onto rails.



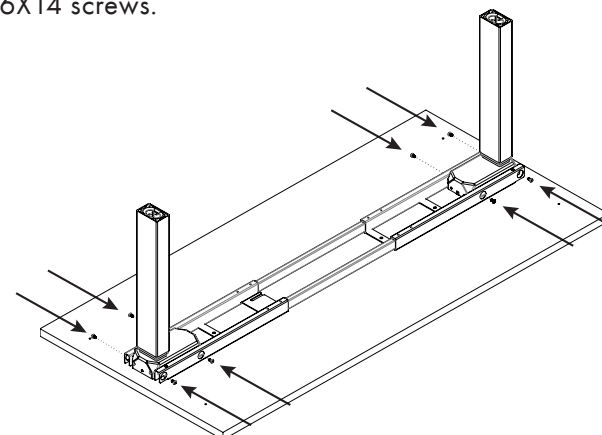
**2** Place desk top on the floor upside down, using a blanket or carpet to avoid scratching.

Place frame assembly on table top. Align holes of leg frame with holes in leg and attach M6X10 screws.

**Important Tip:** Place the triangle end brackets in place to prop up the leg and facilitate the hole alignment. The holes may not appear to align if you do not have the brackets in place.



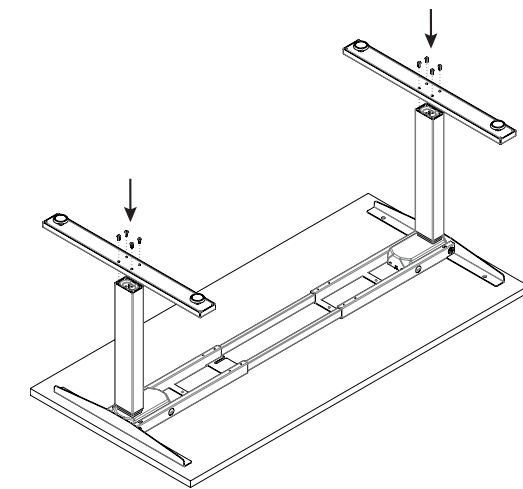
**3** Slide brackets into ends of frame assembly and attach both M6X14 screws.



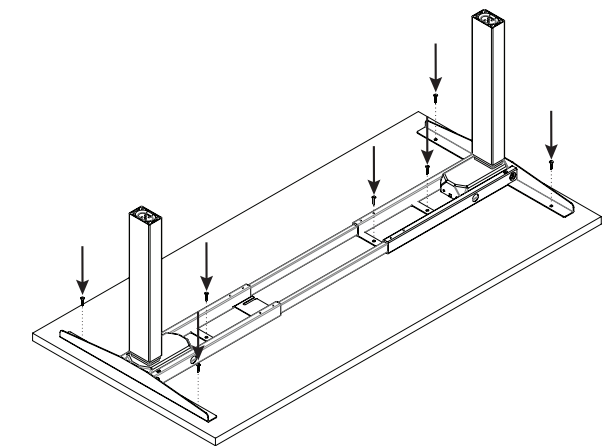
uhuru

FRAME RISE DESK

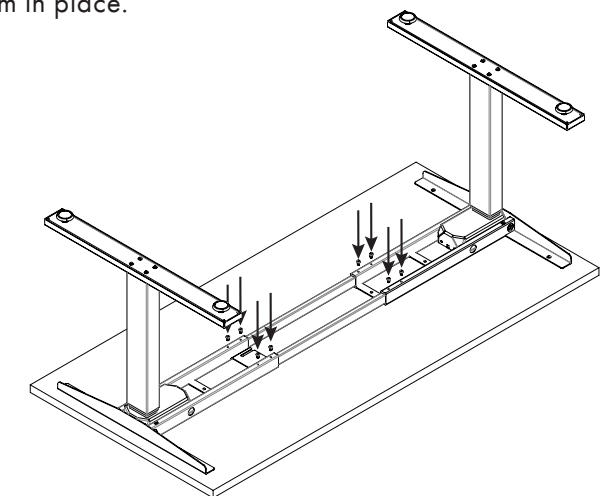
**4** Attach feet to legs with M6X14 screws.



**5** Align the bracket holes and leg frame holes with the pre-drilled holes in the desk top. Attach using ST5X20 screws.



**6** Roughly center spanning rails by sliding them between leg assemblies. Insert and tighten M6X10 screws into rails, pinning them in place.



uhuru

FRAME RISE DESK