

CLEANING AND CARE

Clean surfaces with a dry or damp soft cloth. Do not use abrasive, oil or chemical based cleaners. It is recommended to use coasters to protect surface from heat and water. Do not leave spills unattended.

 WARNING

Serious or fatal crushing injuries can occur from furniture tip-over. To help prevent tip-over, read this entire warning.

To further reduce the risk of serious injury and death from tip-overs:

- Never stand on furniture
- Furniture intended for placement on floor
- Do not place items over 300lb on furniture



QUESTIONS?

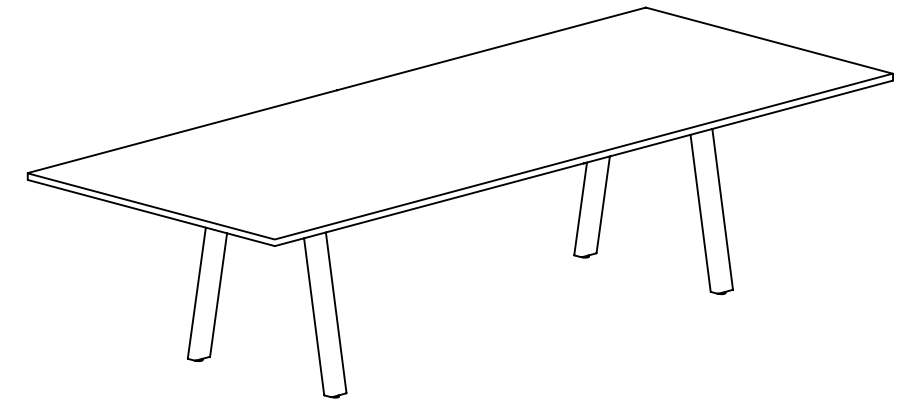
Call 718 855 6519

Email [hello@uhurudesign.com](mailto:hello@uhurudesign.com)



Find more at [uhurudesign.com](http://uhurudesign.com)

u h u r u  
BROAD COMMUNAL TABLE 72"  
ASSEMBLY AND CARE

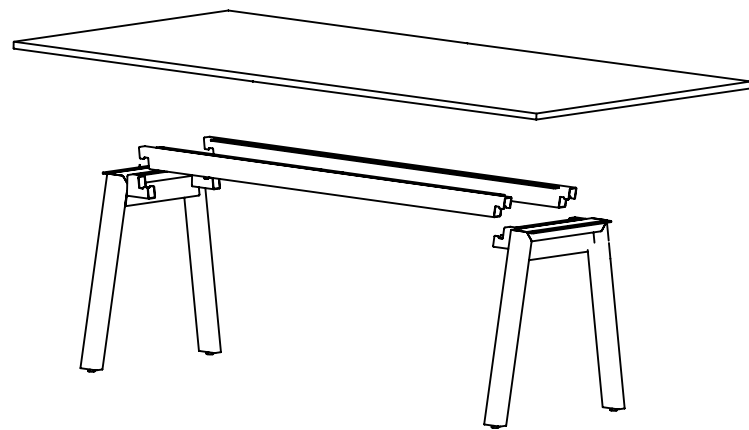


DIMENSIONS  
L72 W48 W 29



# BROAD COMMUNAL TABLE 72" CONTENTS

This page lists the contents included in the box. This product does require assembly. As you unpack, place the contents on a carpeted or padded area to protect them from damage. Improper unpacking can result in personal or property damage.



## CONTENTS


 WASHER - (x8)

 LOCK WASHER - (X6)

 WOOD SCREW - (X8)

 ALLEN KEY - (X1)

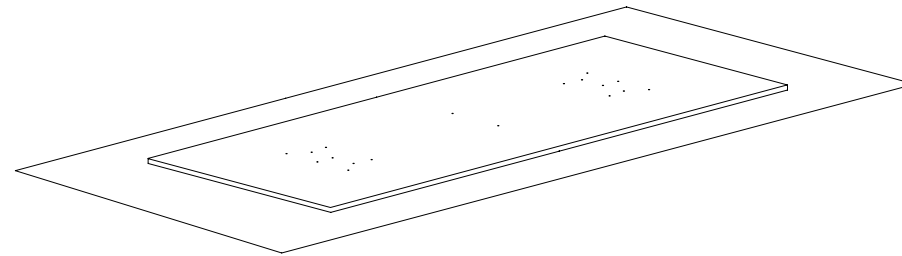
 HEX BOLTS - (X4)

 PHILLIPS HEAD SCREWDRIVER  
(NOT INCLUDED)

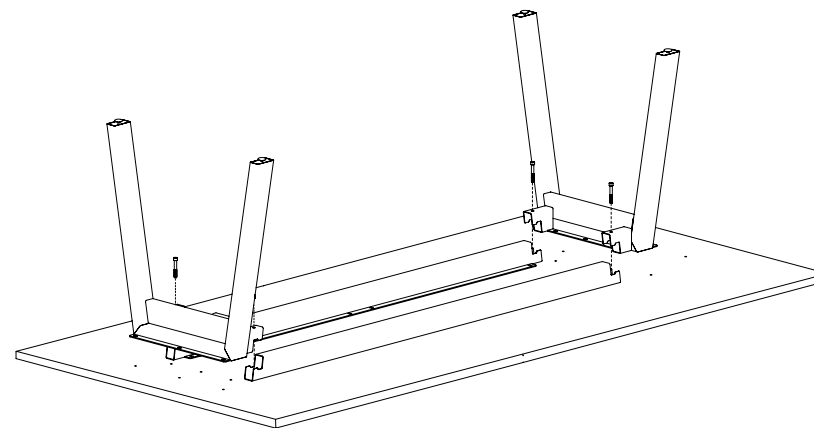
 M6 SCREWS- (X6)

# ASSEMBLY INSTRUCTIONS

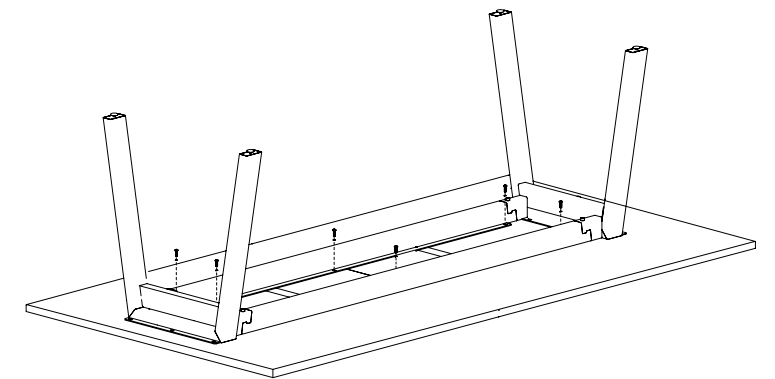
**1** Place table top on the floor upside down, using a blanket or carpet to avoid scratching.



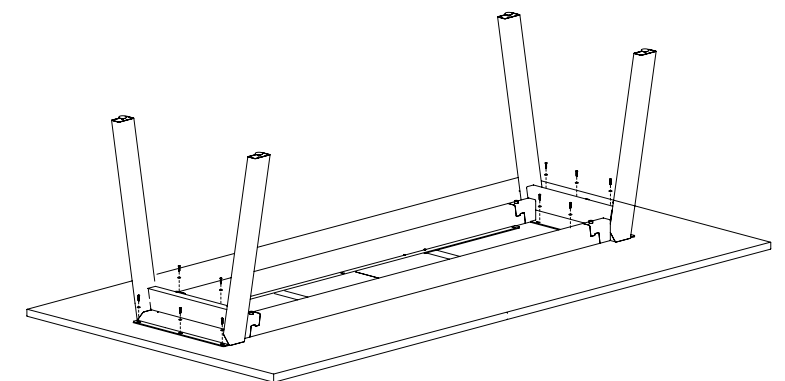
**2** Align the ends of the stretchers with the joints of the legs and fasten them together with 4 hex bolts.



**4** Fasten the brackets to both sides of the frame using 6 M6 screws and lock washers. Align the frame assembly with the pilot holes and threaded inserts in the table top. Finally, fasten the assembly to the threaded inserts in locations shown using the remaining M6 screws and lock washers.



**5** Fully secure the frame to the table top using the remaining wood screws and washers.



**6** With a buddy, flip the table back over. Adjust leveling feet until all feet lay flat on the floor.