

CLEANING AND CARE

Clean surfaces with a dry or damp soft cloth. Do not use abrasive, oil or chemical based cleaners. It is recommended to use coasters to protect surfaces from heat and water. Do not leave spills unattended.

 WARNING

Serious or fatal crushing injuries can occur from furniture tip-over. To help prevent tip-over, read this entire warning.

To further reduce the risk of serious injury and death from tip-overs:

- Never stand on furniture
- Furniture intended for placement on floor
- Do not place items over 300lb on furniture



QUESTIONS?

Call 718 855 6519

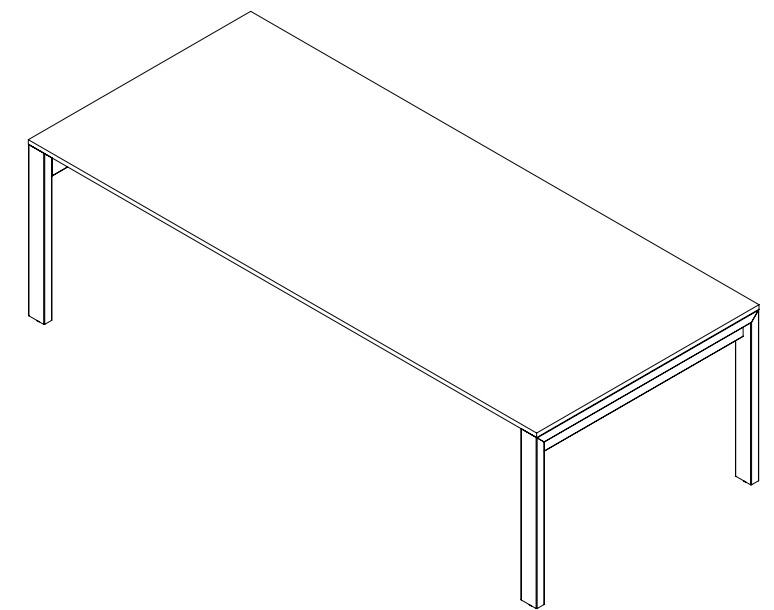
Email hello@uhurudesign.com



Find more at uhurudesign.com

u h u r u

BAND COMMUNAL TABLE 96"
ASSEMBLY AND CARE



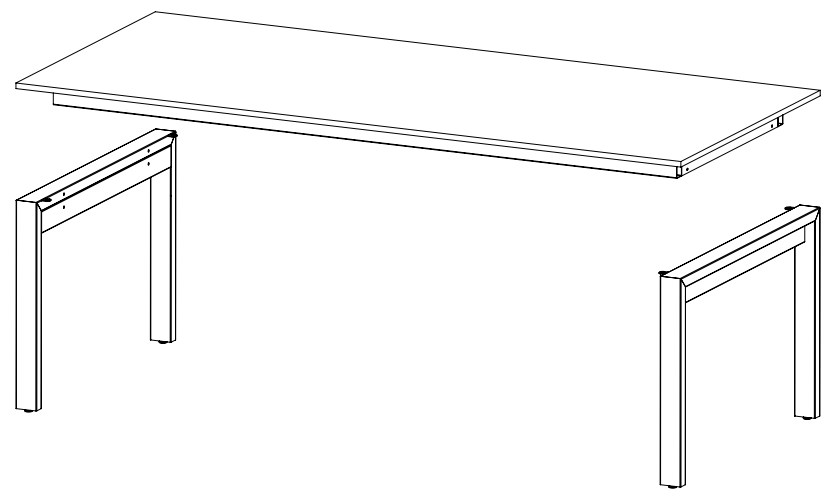
DIMENSIONS

L96 W42 H29




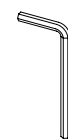



BAND COMMUNAL TABLE 96" CONTENTS

This page lists the contents included in the box. This product does require assembly. As you unpack, place the contents on a carpeted or padded area to protect them from damage. Improper unpacking can result in personal or property damage.

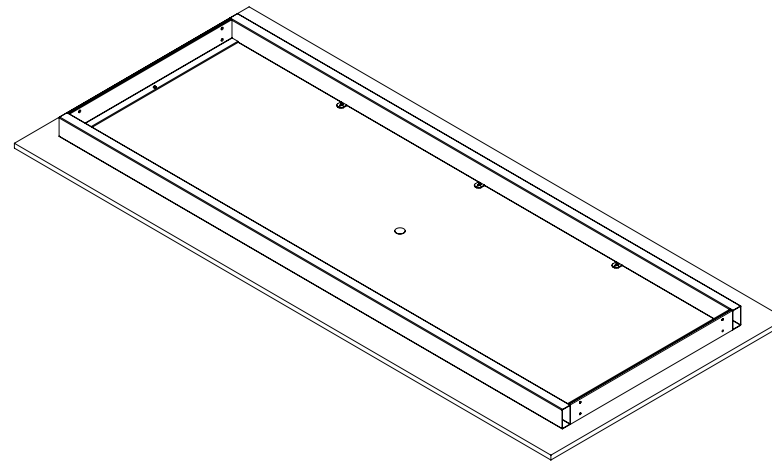


HARDWARE & TOOLS

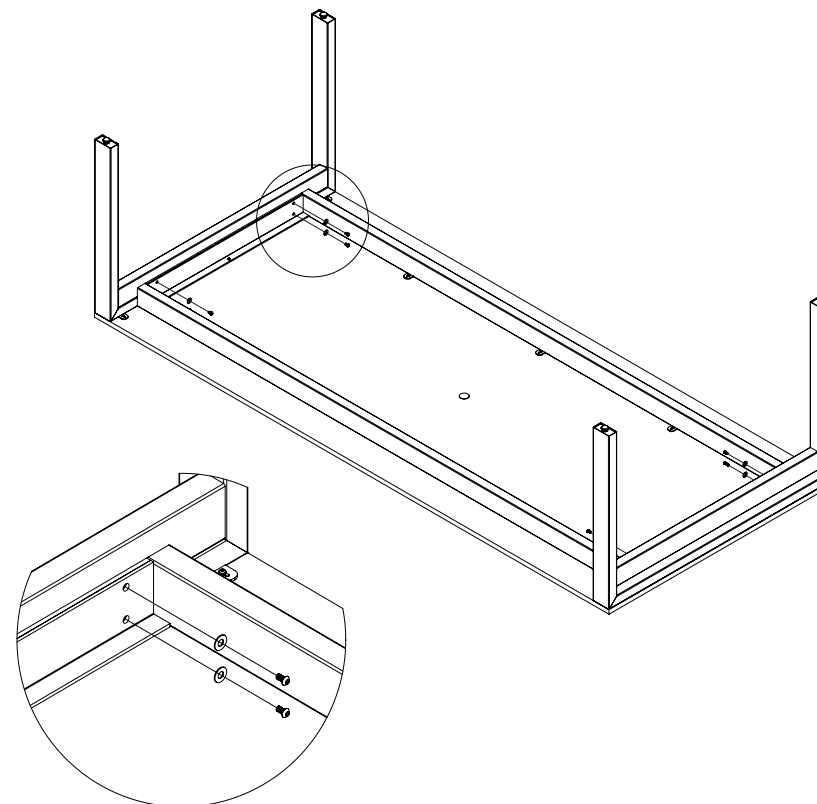
-  WASHER - (X8)
-  #8 FLANGE WOOD SCREW - (X4)
-  1/4-20 HEX SCREWS - (X8)
-  ALLEN KEY (NOT INCLUDED)
-  SQUARE HEAD SCREWDRIVER OR DRILL BIT (NOT INCLUDED)

ASSEMBLY INSTRUCTIONS

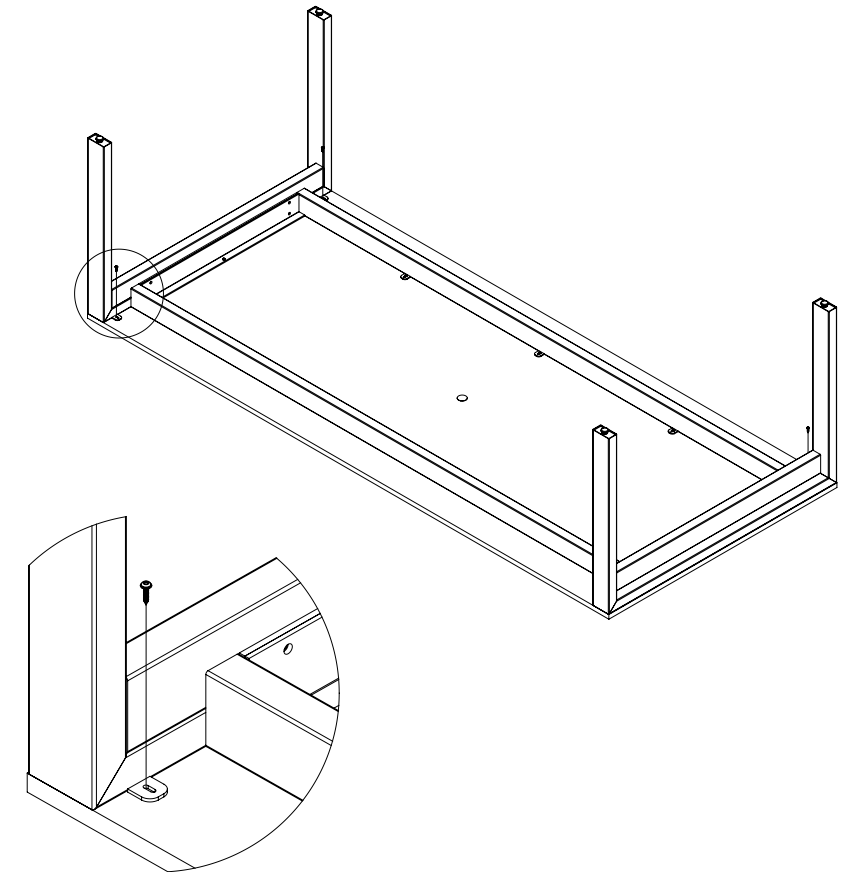
1 Place table top on the floor upside down, using a blanket or carpet to avoid scratching.



2 Secure legs to the frame using 8 hex screws and washers.



3 Fix legs to the top using 4 flange wood screws.



4 With a buddy, flip the table back over. Adjust leveling feet until all feet lay flat on the floor.

