

CLEANING AND CARE

Clean surfaces with a dry or damp soft cloth. Do not use abrasive, oil or chemical based cleaners. It is recommended to use coasters to protect surface from heat and water. Do not leave spills unattended.

 WARNING

Serious or fatal crushing injuries can occur from furniture tip-over. To help prevent tip-over, read this entire warning.

To further reduce the risk of serious injury and death from tip-overs:

- Never stand on furniture
- Furniture intended for placement on floor
- Do not place items over 300lb on furniture



QUESTIONS?

Call 718 855 6519

Email hello@uhurudesign.com



Find more at uhurudesign.com

u h u r u

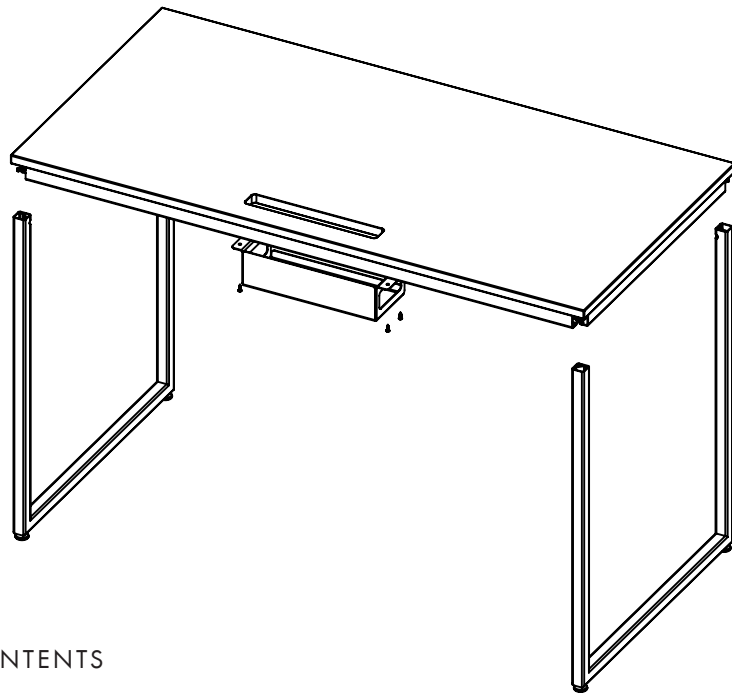
1X1 DESK 48"
ASSEMBLY AND CARE

DIMENSIONS
L48 W24 H28.5



1X1 DESK 48" CONTENTS

This page lists the contents included in the box. This product does require assembly. As you unpack, place the contents on a carpeted or padded area to protect them from damage. Improper unpacking can result in personal or property damage.



CONTENTS



WOOD SCREW - (X4)



SOCKET HEAD HEX SCREW - (X4)



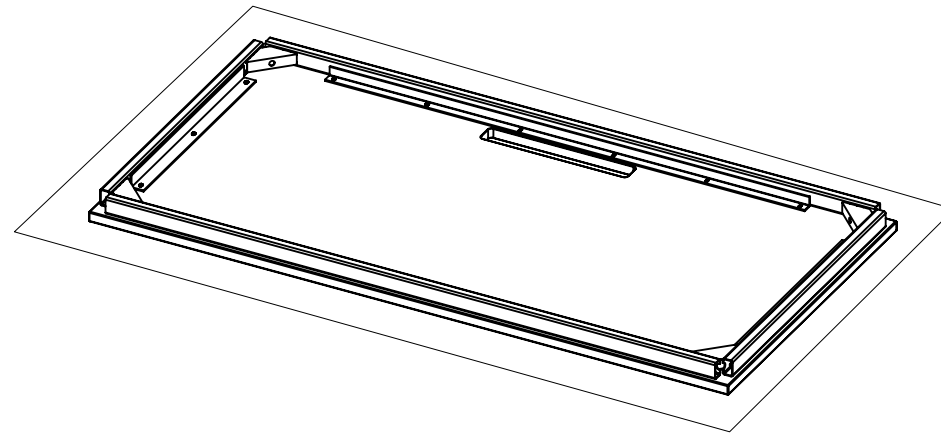
ALLEN KEY - (X1)



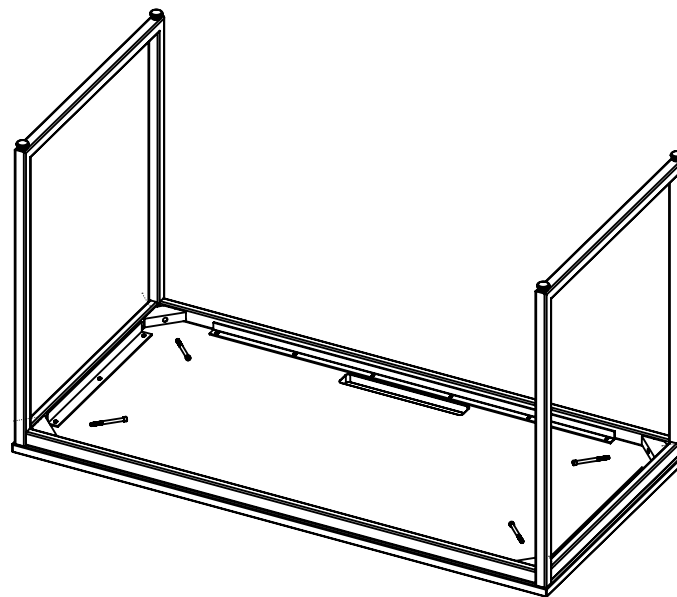
PHILLIPS HEAD SCREWDRIVER
(NOT INCLUDED)

ASSEMBLY INSTRUCTIONS

- 1 Place desk top on the floor upside down, using a blanket or carpet to avoid scratching.



- 2 While holding them in place, fasten the legs to the table top using socket head hex screws.



- 3 Fasten the trough to the underside of the table top using the trough wood screws.

