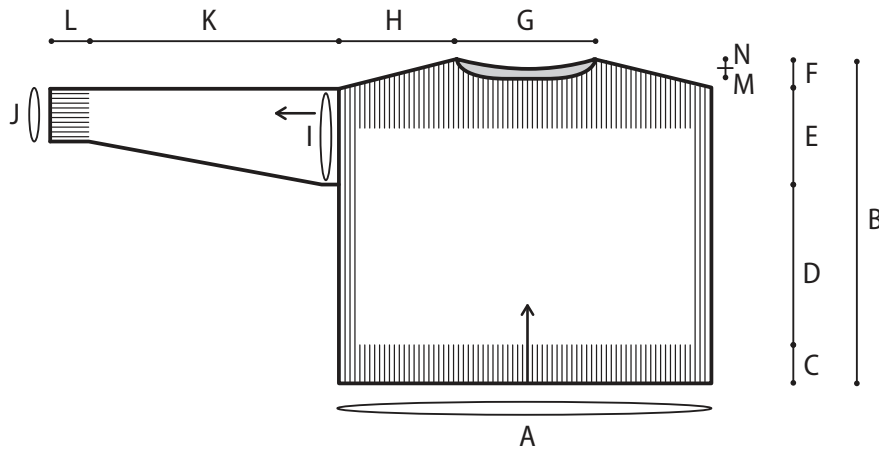


# SCHEMATIC



		Sizes											
		1	2	3	4	5	6	7	8	9	10	11	
<b>A</b>	Chest Circumference	37¼	42¾	47¼	50½	55	58¼	62½	66	70¼	73¾	78	in
		94.5	108.5	120	128.5	139.5	148	159	167.5	178.5	187.5	198	cm
<b>B</b>	Total Body Length	22	22	22	24	24	24	24	26	26	26	26	in
		56	56	56	61	61	61	61	66	66	66	66	cm
<b>C</b>	Hem Length	3½	3½	3½	3½	3½	3½	3½	3½	3½	3½	3½	in
		9	9	9	9	9	9	9	9	9	9	9	cm
<b>D</b>	Body Length, Top of Hem to Underarm	10	9½	9	10½	10¼	9¾	9½	11	10¾	10¼	10	in
		25.5	24	23	26.5	26	25	24	28	27.5	26	25.5	cm
<b>E</b>	Armhole Depth	6¼	6¾	7¼	7¾	8	8½	8¾	9¼	9½	10	10¼	in
		16	17	18.5	19.5	20.5	21.5	22	23.5	24	25.5	26	cm
<b>F</b>	Shoulder Drop	2¼	2¼	2¼	2¼	2¼	2¼	2¼	2¼	2¼	2¼	2¼	in
		5.5	5.5	5.5	5.5	5.5	5.5	5.5	5.5	5.5	5.5	5.5	cm
<b>G</b>	Neck Width	7¾	8¾	8¾	8¾	9¾	9¾	9¾	10¾	11¾	11¾	11¾	in
		19.5	22	22	22	25	25	25	27.5	30	30	30	cm
<b>H</b>	Shoulder Width	5¼	6¼	7¼	8	8½	9½	10½	11	11½	12½	13½	in
		13.5	16	18.5	20.5	21.5	24	26.5	28	29	32	34.5	cm
<b>I</b>	Sleeve Circumference at Upper Arm	12¼	13¼	14	15	15½	17	17½	18¼	18¾	19¾	20¼	in
		31	33.5	35.5	38	39.5	43	44.5	46.5	47.5	50	51.5	cm
<b>J</b>	Cuff Circumference	8	8½	8½	9	9	9½	9½	10	10	10¼	10¼	in
		20.5	21.5	21.5	23	23	24	24	25.5	25.5	26	26	cm
<b>K</b>	Sleeve Length, Underarm to Top of Cuff	13¾	13¾	13¾	13½	13	13	12¾	12½	12¼	11¾	11½	in
		35	35	35	34.5	33	33	32.5	32	31	30	29	cm
<b>L</b>	Cuff Length	2¾	2¾	2¾	2¾	2¾	2¾	2¾	2¾	2¾	2¾	2¾	in
		7	7	7	7	7	7	7	7	7	7	7	cm
<b>M</b>	Front Neck Drop	2	2	2	2	2	2	2	2	2	2	2	in
		5	5	5	5	5	5	5	5	5	5	5	cm
<b>N</b>	Back Neck Drop	1½	1½	1½	1½	1½	1½	1½	1½	1½	1½	1½	in
		4	4	4	4	4	4	4	4	4	4	4	cm

All measurements are listed in inches followed by centimeters.