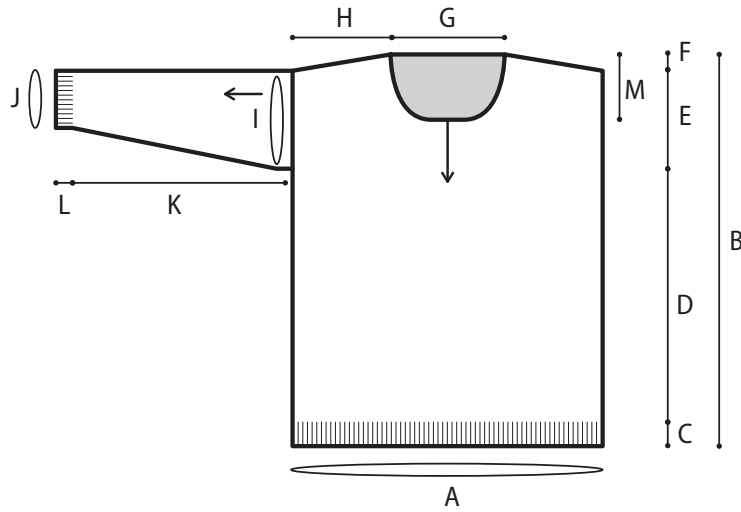


SCHEMATIC



		Sizes											
		1	2	3	4	5	6	7	8	9	10	11	
A	Chest Circumference	37½	42½	46½	50½	54½	58½	62½	66½	70½	75¼	78½	in
		95.5	108	118	128.5	138.5	148.5	159	169	179	191	199.5	cm
B	Total Body Length	24¼	25	25½	25½	26	26¼	26¾	27¼	27½	27½	27¾	in
		61.5	63.5	65	65	66	66.5	68	69	70	70	70.5	cm
C	Hem Length	1	1	1	1	1	1	1	1	1	1	1	in
		2.5	2.5	2.5	2.5	2.5	2.5	2.5	2.5	2.5	2.5	2.5	cm
D	Body Length, Underarm to Top of Hem	16¼	16¾	16¾	16¼	16¼	15¼	15½	15¾	15¾	15½	15¼	in
		41.5	42.5	42.5	41.5	41.5	38.5	39.5	40	40	39.5	38.5	cm
E	Armhole Depth	5¾	6	6½	7	7½	8¾	9	9¼	9½	9¾	10¼	in
		14.5	15	16.5	18	19	22	23	23.5	24	25	26	cm
F	Shoulder Drop	1¼	1¼	1¼	1¼	1¼	1¼	1¼	1¼	1¼	1¼	1¼	in
		3	3	3	3	3	3	3	3	3	3	3	cm
G	Neck Width	6¾	6¾	8	7½	8	7½	8	8½	8¾	8¾	8¾	in
		17	17	20.5	19	20.5	19	20.5	21.5	22	22	22	cm
H	Shoulder Width	6	7¼	7½	8¾	9½	10¾	11½	12½	13¼	14½	15¼	in
		15	18.5	19	22	24	27.5	29	32	33.5	37	38.5	cm
I	Upper Arm Circumference	11½	12	13¼	14	15¼	17½	18	18½	19¼	19½	20½	in
		29	30.5	33.5	35.5	38.5	44.5	45.5	47	49	49.5	52	cm
J	Cuff Circumference	7¼	8	8	8½	8¾	9¼	10	10½	10¾	10¾	11¼	in
		18.5	20.5	20.5	21.5	22	23.5	25.5	26.5	27.5	27.5	28.5	cm
K	Sleeve Length, Underarm to Top of Cuff	14½	15	15	14½	14¼	14	13¾	13½	13¼	12¾	12½	in
		37	38	38	37	36	35.5	35	34.5	33.5	32.5	32	cm
L	Cuff Length	1	1	1	1	1	1	1	1	1	1	1	in
		2.5	2.5	2.5	2.5	2.5	2.5	2.5	2.5	2.5	2.5	2.5	cm
M	Front Neck Drop	4	4	4	4	4½	4½	4½	5	5	5	5	in
		10	10	10	10	11.5	11.5	11.5	12.5	12.5	12.5	12.5	cm

All measurements are listed in inches followed by centimeters.