



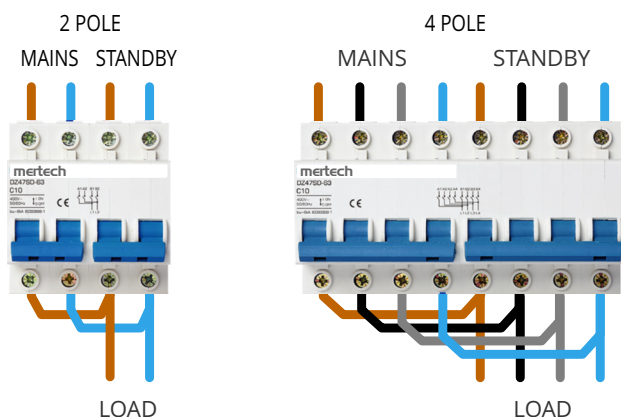
## Description

The Mini Manual Transfer Switches are the ideal solution for transferring power from the Mains to a Standby supply. These include 2 pole & 4 pole transfer devices mounted in IP65 plastic enclosures with top and bottom entry. With sizes of 25 amp, 40 Amp and 63 Amps. The manual transfer switch is a purpose made dual MCB device with mechanical interlock to prevent both supplies being closed together.

## Features

- 4 pole Manual Switch Device
- Mechanical interlocked
- Switch positions I - 0 - II
- Mains to Gen and Mains to Mains
- Protection at rated current
- Weather proof to IP65

## Customer Connections



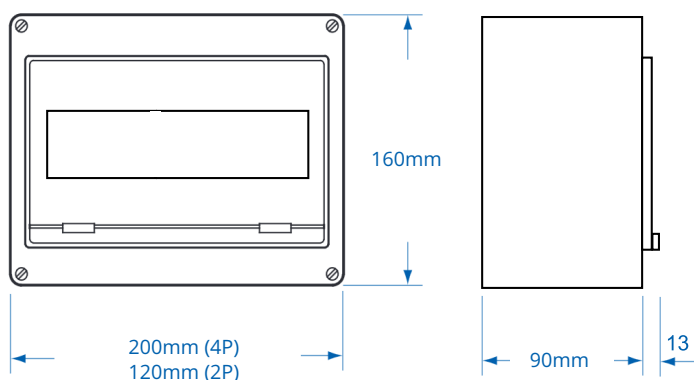
## Details

- Conform to standard: IEC60898
- Rated voltage: 230/400V AC
- Rated current: 25A-40A-63A
- Breaking capacity: 6KA
- Trip characteristics: C (5-10)In
- Polar Number: 2P+2P, 4P+4P
- Maximum working voltage: 440V AC
- Impulse withstand voltage: 4KV
- Life: 10,000 x Elec. - 20,000 x Mech
- Mechanically Interlocked
- Ambient temperature: -20 °C to +70 °C

## Enclosure

- Glazed door giving external view of MTS position and supply status
- Halogen free materials ABS and polycarbonate
- Weatherproof Protection level - IP65

## Dimensions



## Designed for

- Domestic buildings
- Small Industrial buildings
- Distribution Boards
- Farms & Outbuildings

